



2013 CATALOG AND LIST PRICE BOOK

PARTS BREAKDOWNS - PART 1

SECTION	PAGE
PUMPS	64
FILTERS - D.E.	79
FILTERS - SAND	95
FILTERS - CARTRIDGE	104
FILTER VALVES	110
POOL CLEANERS	116
HEATERS	137 (SEE PART 2)
LIGHTS	192 (SEE PART 2)
CHLORINATORS	195 (SEE PART 2)
SKIMMERS	197 (SEE PART 2)
PLUMBING	201 (SEE PART 2)

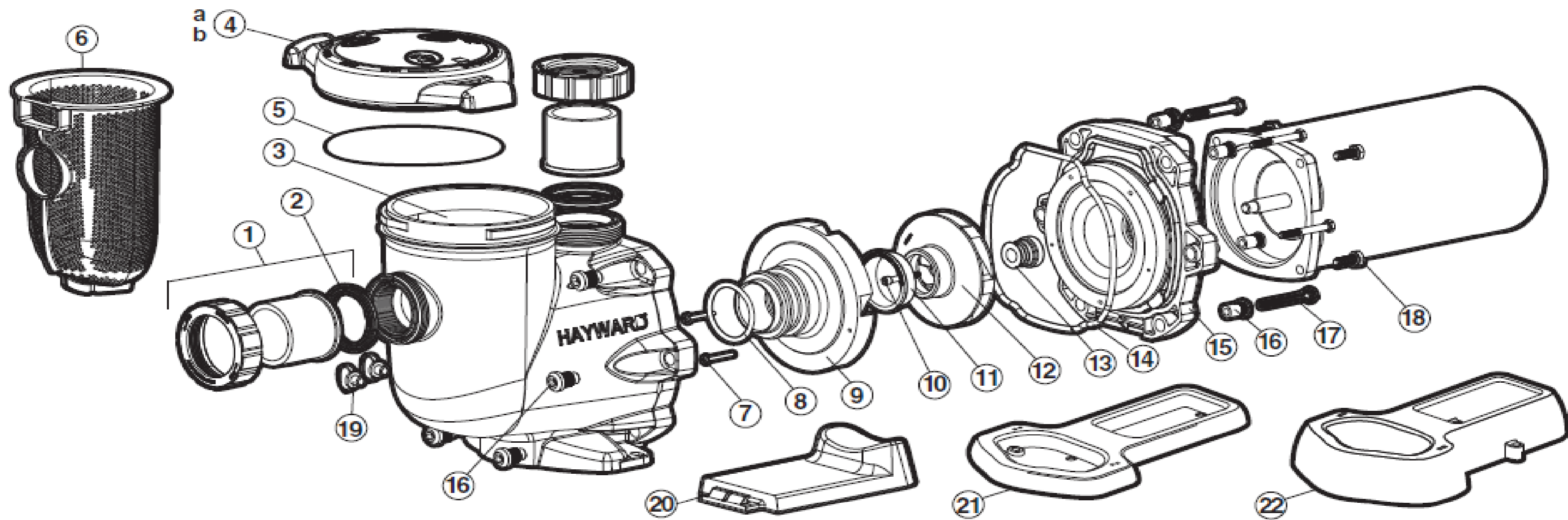
****NOTE - For generic replacement baskets, O-rings, gaskets, and pump seals, see Whole Goods pages 51-56**

ATX Pool Spa Supply
(512) 351-4647



HAYWARD TriStar PUMP PARTS

Item #	Part No.	Description	List Price
1	SPX3200UNKIT	Union connector kit (includes nut, connector, gasket)	66.32
2	SPX3200UG	Union gasket (T-seal) EPDM	CALL
3	SPX3200A	Pump strainer housing, 2" x 2" w/drain plugs, threaded style	CALL
4a	SPX3200DLS	Strainer cover kit (includes cover, lock ring, O-ring)	99.46
4b	SPX3200DLSB	Strainer cover for Biguanide sanitizers (Not pressure testable)	CALL
5	SPX3200S	Strainer cover O-ring	CALL
6	SPX3200M	Strainer basket	CALL
7	SPX3200ZB	Diffuser screws (2 per)	CALL
8	SPX4000Z1	Diffuser O-ring	12.32
9	SPX3200B3	Diffuser	56.00
10	SPX3200Z1	Impeller screw	CALL
11	SPX3021R	Impeller ring	7.82
12	SPX3205C	Impeller .75UR / .5FR, with impeller screw	CALL
12	SPX3207C	Impeller 1UR / .75FR with impeller screw	47.44
12	SPX3210C	Impeller 1.5UR / 1FR with impeller screw	47.00
12	SPX3215C	Impeller 2UR / 1.5FR with impeller screw	CALL
12	SPX3220C	Impeller 2FR with impeller screw	CALL
12	SP3220CM	Impeller 2.5UR with impeller screw	CALL
12	SPX3230C	Impeller 3HP with impeller screw	CALL
12	SPX3230C5	Impeller 5HP with impeller screw	CALL
13	SPX3200SA	Shaft seal assembly	CALL
14	SPX3200T	Housing O-ring	16.80
15	SPX3200E	Seal Plate	63.74
16	SPX3200Z211	Housing insert and seal plate spacer kit	CALL
17	SPX3200Z3	Housing bolt	CALL
18	SPX3200Z5	Motor bolt	CALL
19	SPX4000FG	Drain plug w/O-ring	CALL
20	SPX3200GA	Bracket, motor support	CALL
21	SPX3200WF	Riser base aligns with Pentair Whisper Flo	CALL
22	SPX3200SR	Riser base aligns with Sta-Rite Max-E-Pro, Max-E-Glas, Dura-Glas and Dura-Glas II	CALL

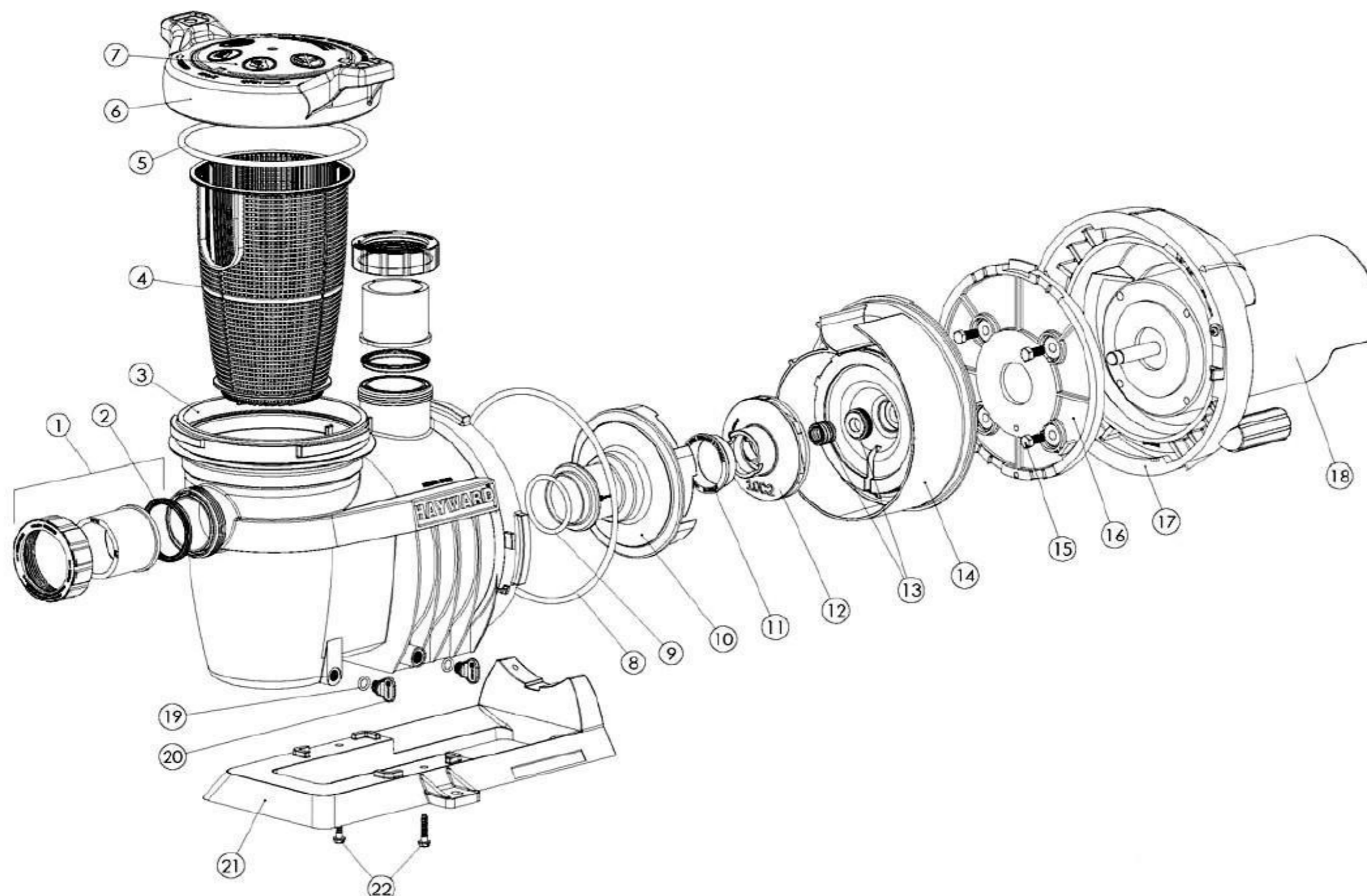


P



HAYWARD NORTHSTAR PUMP PARTS

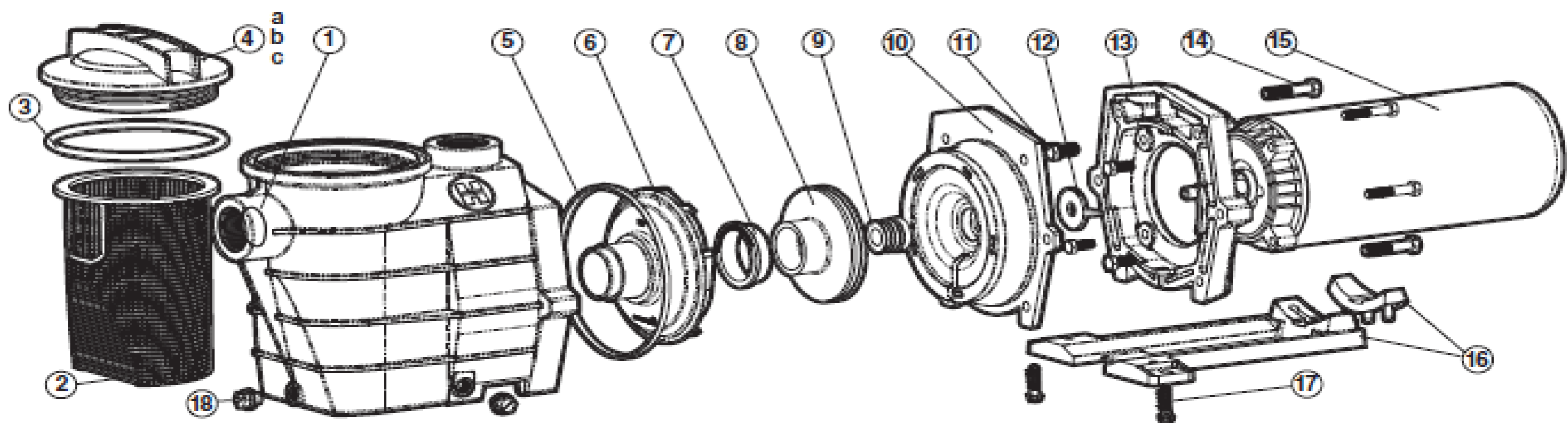
Item #	Part No.	Description	List Price
1	SPX3200UNKIT	Union connector kit (includes 2 ea. nut, connector, gasket) (2008 & later)	66.32
	SPX4000UNPAK1	Union connector kit (includes 1 ea. nut, connector, gasket) (2007 & prior)	27.00
	SPX4000UNPAK2	Union connector kit (includes 1 ea. Curved union protector, O-ring and nut) (2007 & prior)	CALL
**	SPX4000HSGKIT	Housing kit (includes #'s 1, 3, 4, 6, 7, 19, & 20 below)	CALL
2	SPX3200UG	Union gasket (T-seal) EPDM (2008 & later)	CALL
	SPX4000Z1	Union O-ring (2007 & prior)	12.32
3	SPX4020TP	Pump housing, threaded port (2008 & later)	CALL
4	SPX4000M	Strainer basket	32.50
5	SPX4000S	Strainer cover O-ring (2008 & later)	38.76
	SPX4000TS	Strainer cover T-ring (2003 - 2007)	39.94
	CX400G	Strainer cover O-ring (prior to 2003)	CALL
6 & 7	SPX4000CLO	Strainer cover kit (includes cover, lock ring and O-ring) (2008 & later)	124.10
	SPX4000CLOB	Strainer cover kit for Biguanide sanitizers (2008 & later - NOT pressure testable)	CALL
	SPX4000DLT	Strainer cover kit (includes cover, lock ring and O-ring) (2007 & prior)	127.42
	SPX4000DLTB	Strainer cover kit for Biguanide sanitizers (2007 & prior - NOT pressure testable)	CALL
8	SPX4000T	Seal plate O-ring	CALL
9	SPX4000Z1	Diffuser O-ring	12.32
10	SPX4000B	Diffuser	39.40
11	SPX3021R	Impeller ring	7.82
12	SPX4007CKIT	Impeller 1UR / .75FR with impeller ring and seal assembly	66.00
12	SPX4010CKIT	Impeller 1.5UR / 1FR with impeller ring and seal assembly	75.52
12	SPX4015CKIT	Impeller 2UR / 1.5FR with impeller ring and seal assembly	76.00
12	SPX4020CKIT	Impeller 2.5UR / 2FR with impeller ring and seal assembly	76.00
12	SPX4025CKIT	Impeller 3 HP UR with impeller ring and seal assembly	76.00
12	SP4030CKIT	Impeller 3HP FR with impeller ring and seal assembly	CALL
13	SPX3200SA	Shaft seal assembly	CALL
14	SPX4000DE	Seal plate	CALL
15	SPX0125Z4	Motor bolt	CALL
16	SPX4000F	Motor mounting plate	CALL
17	SPX4000K	Motor lock ring	CALL
19 & 20	SPX4000FG	Drain plug w/O-ring	CALL
21 & 22	SPX4000GA	Mounting base with 2 cap screws	CALL
22	SPX1600Z52	Mounting base cap screws (2)	CALL





HAYWARD SUPER II PUMP PARTS

Item #	Part No.	Description	List Price
1	SPX3000AA	Pump housing/strainer 1.5" x 1.5" w/drain plugs	323.90
	SPX3100AAZ	Pump housing/strainer 1.5" x 1.5" w/drain plugs, threaded style	CALL
	SPX3020AA	Pump housing/strainer 2" x 2" w/drain plugs	346.94
	SPX3020AAZ	Pump housing/strainer 2" x 2" w/drain plugs, threaded style	CALL
2	SPX3000M	Basket	CALL
3	SPX3000S	Strainer cover O-ring	CALL
4a	SPX3000D	Strainer cover, hand knob style, clear	61.66
4b	SPX3100D	Strainer cover, threaded style	59.64
4c	SPX3100DB	Strainer cover for Biguanide pools	CALL
**	SP3100T	Pump lid removal tool	CALL
5	SPX3000T	Housing gasket	CALL
**	SPX1600R	Housing gasket - not shown	CALL
**	SPX3000TRA	Seal assy kit (includes seal assy, housing and diffuser gaskets) - not	CALL
6	SPX2600B	Diffuser for 3/4 through 2HP (1987 & prior)	35.22
6	SPX3000BN	Diffuser for 3/4 through 1-1/2 HP (after 1988)	34.28
6	SPX3000B	Diffuser for 2-1/2 & 3HP (1989 and prior)	CALL
6	SPX3021B	Diffuser for 2 through 3HP (after 1990)	39.44
7	SPX3005R	Impeller ring - 3/4 through 3HP (SP3000 series impellers)	7.00
7	SPX3021R	Impeller ring - 2 through 3 HP (SP3016C, SP3021C, SP3026C)	7.82
8	SP2605C	Impeller 3/4UR - 1987	CALL
8	SPX3005C	Impeller 3/4UR - 1988	CALL
8	SPX2607C	Impeller 3/4FR / 1UR - 1987	35.92
8	SPX3007C	Impeller 3/4FR / 1UR - 1988	41.42
8	SPX2610C	Impeller 1FR / 1.5UR - 1987	37.84
8	SPX3010C	Impeller 1FR / 1.5UR - 1988	42.60
8	SPX2615C	Impeller 1.5FR / 2UR - 1987	CALL
8	SPX3015C	Impeller 1.5FR / 2UR - 1988	49.38
8	SPX3016C	Impeller 1.5FR / 2UR - 1990 and later	45.00
8	SPX3020CKIT	Impeller 2FR / 2.5UR - 1989 and prior	CALL
8	SPX3021C	Impeller 2FR / 2.5UR - 1990 and later	53.16
8	SPX3025CKIT	Impeller 3HP - 1989 and prior	CALL
8	SPX3026C	Impeller 3HP - 1990 and later	57.82
9	SPX1600Z2	Seal assembly	CALL
10	SPX3000E	Seal plate for SP2600 series impellers	56.66
10	SPX3020E	Seal plate for SP3000 series impellers	55.36
11	SPX0125Z44	Motor cap screw (4)	CALL
12	SPX0125F	Slinger	CALL
13	SPX3000F	Motor mounting plate	56.00
14	SPX1600Z4	Housing cap screw	6.44
**	SPX3000Z26	Washer 3/8" for cap screw - not shown	CALL
16	SPX3000GA	Mounting bracket with adapter and 2 cap screws	CALL
17	SPX1600Z52	Mounting foot cap screw (set 2)	CALL
**	SPX3000SR	Riser base aligns with Sta-Rite Dura-Glas	CALL
18	SPX1600V	1/4" drain plug (1991 and prior)	CALL
19	SPX1700FG	1/4" drain plug with gasket	CALL

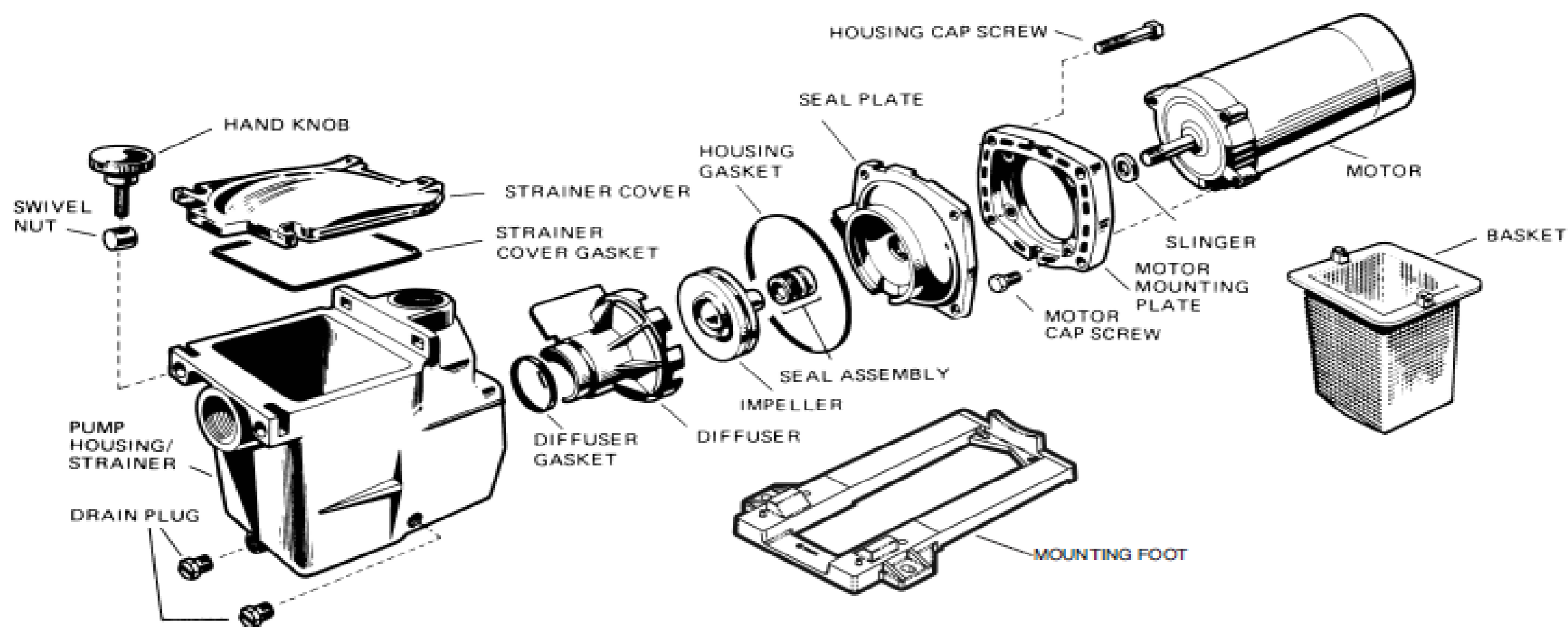




HAYWARD SUPER PUMP (1600 AND 2600 SERIES) PARTS

Item #	Description	List Price
SPX1600AA	Pump housing strainer 1.5" x 1.5" with drain plugs	CALL
SPX1620AA	Pump housing strainer 2" x 2" with drain plugs	CALL
SPX1600T	Housing gasket	CALL
SPX1600R	Diffuser gasket	CALL
SPX1600TRA	Seal assembly kit (includes seal assy, housing, and diffuser gasket)	CALL
SPX1600D	Strainer cover, clear	CALL
SPX1600DB	Strainer cover, Biguanide pools	CALL
SPX1600S	Strainer cover gasket	CALL
SPX1600M	Basket	CALL
SPX1600PN	Hand knob kit (includes swivel nut and knob)	13.70
SPX1600V	1/4" drain plug (1991 and prior)	CALL
SPX1700FG	1/4" drain plug w/gasket (1992 and later)	CALL
SPC2600G1	Mounting foot with adapter and screws	CALL
SPX1600Z52	Mounting foot cap screw (set 2 - 2 sets required)	CALL
SPX1600Z2	Seal assembly	CALL
SPX1600F5	Motor mounting plate	CALL
SPX1600Z4	Housing cap screw	6.44
SPX0125Z4	Motor cap screw (set 4)	CALL
SPX0125F	Slinger	CALL
SPX2600CKIT*	1/2HP Drive train upgrade - SP1600 series only	CALL
SPX2605CKIT*	3/4HP Drive train upgrade - SP1600 series only	CALL
SPX2607CKIT*	1HP Drive train upgrade - SP1600 series only	169.96
SPX2610CKIT*	1-1/2HP Drive train upgrade - SP1600 series only	173.74
SPX2615CKIT*	2HP Drive train upgrade - SP1600 series only	CALL
SPX1621C	Impeller 2.5HP - SP1600 series only	CALL
SPX1611E5	Seal Plate 2.5HP - SP1600 and SP2600 series	CALL
SPX2600B	Diffuser for 1/2 - 2HP - SP2600 series only	35.22
SPX1616B	Diffuser for 2.5HP - SP 2600 series only	CALL
SPX2600E5	Seal plate for 1/2 - 2HP - SP2600 series only	CALL
SPX2600C	Impeller 1/2HP - SP 2600 series only	CALL
SPX2605C	Impeller 3/4HP - SP 2600 series only	CALL
SPX2607C	Impeller 1HP - SP 2600 series only	35.92
SPX2610C	Impeller 1-1/2HP - SP 2600 series only	37.84
SPX2615C	Impeller 2HP - SP 2600 series only	CALL
SPX2621C	Impeller 2-1/2HP - SP 2600 series only	CALL

*NOTE - All upgrade kits include impeller, diffuser, housing gasket, and motor mounting plate

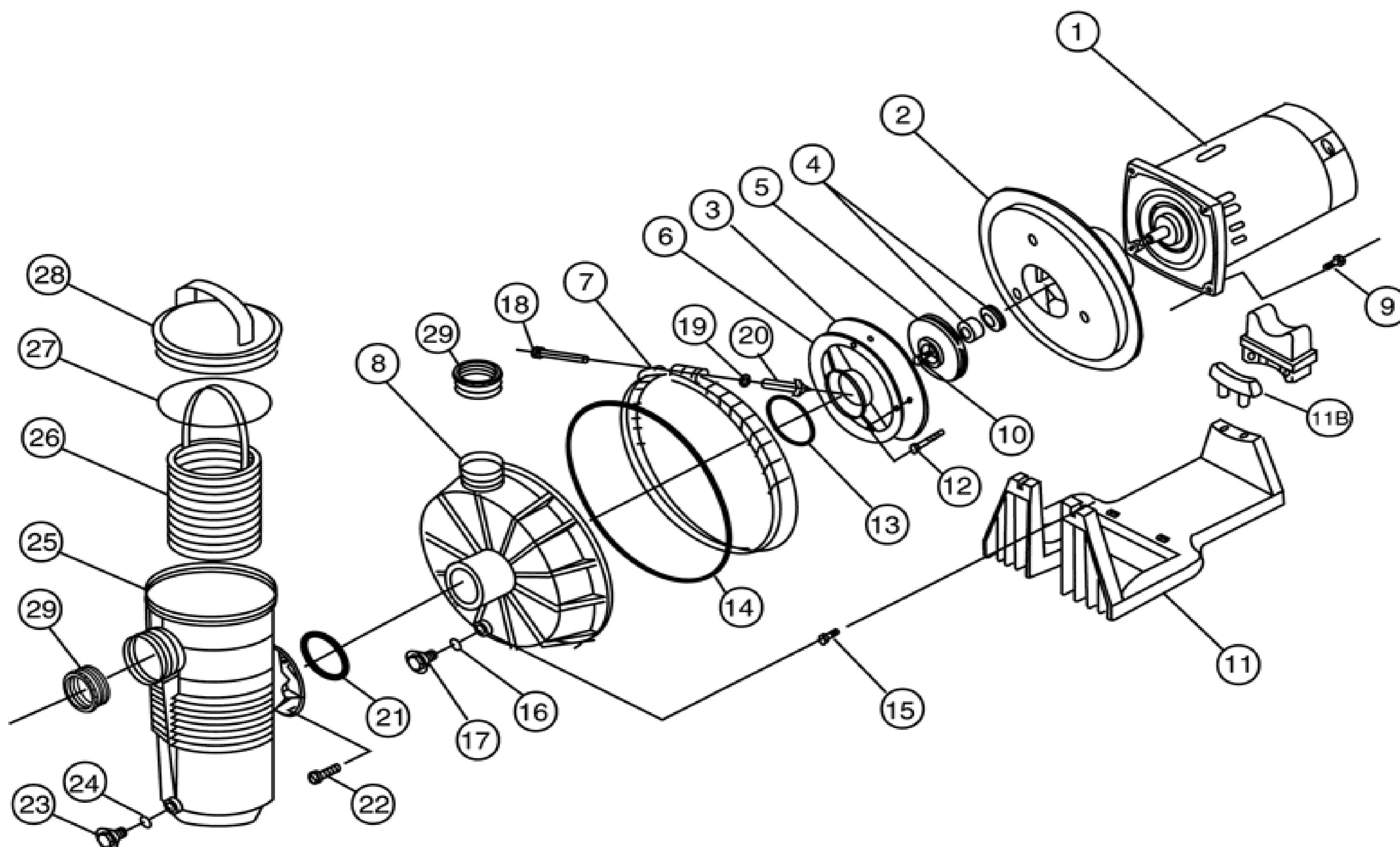




PENTAIR CHALLENGER HIGH PRESSURE PUMP PARTS

Item #	Part No.	Description	List Price
2	355303	Plate, seal	CALL
3	355384	Plate, mounting 1/2F, 3/4A	CALL
3	355317	Plate, mounting 3/4F thru 3F, 1A thru 2-1/2A	15.00
4	354545S	Seal 5/8 in. mechanical PS200	CALL
5	355147	Impeller 1/2F, 3/4A	55.00
5	355187	Impeller 3/4F, 1A	51.70
5	355369	Impeller 1F, 1-1/2A	49.00
5	355315	Impeller 1-1/2F, 2A	59.00
5	355604	Impeller 2F, 2-1/2A ¹	53.90
5	355544	Impeller 3F	74.30
6	355148	Diffuser 1/2F, 3/4A	CALL
6	355188	Diffuser 3/4F, 1F, 1A, 1-1/2A	31.70
6	355270	Diffuser	35.70
6	355545	Diffuser 3F, 2-1/2A, 2F ²	73.90
7	355320	Band clamp assembly, complete	89.00
8	355468	Housing, front, black	CALL
8	355469	Housing, front, almond	CALL
9	354290	Screw 3/8" x 16 x 1" Hx Cap 18-8 s/s 3/8 in., 16 SS hex head	CALL
10	355389	Screw, impeller locking	3.90
11	355305	Base, pump ³	CALL
11B	355385	Adapter, 5 -5/8 in. dia. Motor ⁴	CALL

Item #	Part No.	Description	List Price
12	355334	Screw 8-32 x 1 in. SS hex wsh hd., 3 req.	2.00
13	355331	O-ring, diffuser	3.50
14	355329	O-ring, front housing	17.00
15	355335	Screw, 5/16, 18 x 1/2 in. SS hex hd. , 2 req.	CALL
16	192115	O-ring, drain plug	CALL
17	154699	Drain Plug 1/4 in.	7.30
18	152060	Bolt, 5/16 in., 18 x 4 in. carriage ⁵	CALL
19	72173	Washer, flat 5/16 in. SS flat	CALL
20	174882	Knob, band assembly	28.50
20	175025	Knob (fits clamp w/captured T-bolt only)	CALL
21	355330	O-ring Strainer pot flange	3.50
22	354265	Screw 5/16 in., 18 x 3/4 in. SS hex wsh hd., 4 req.	CALL
23	154699	Drain Plug 1/4 in.	7.30
24	192115	O-ring, drain plug	CALL
25	355300	Strainer pot	133.00
26	355318	Basket, plastic strainer (all except 3F)	17.90
26	355441	Basket, strainer SS (3F only)	CALL
27	350013	O-ring pot flange	7.90
28	355301	Lid, strainer pot	52.00
28	354112	Lid, strainer pot, chemical resistant	CALL
29	552377	Bushing, reducer 1/2F, 3/4F, 3/4A, 1A,	CALL

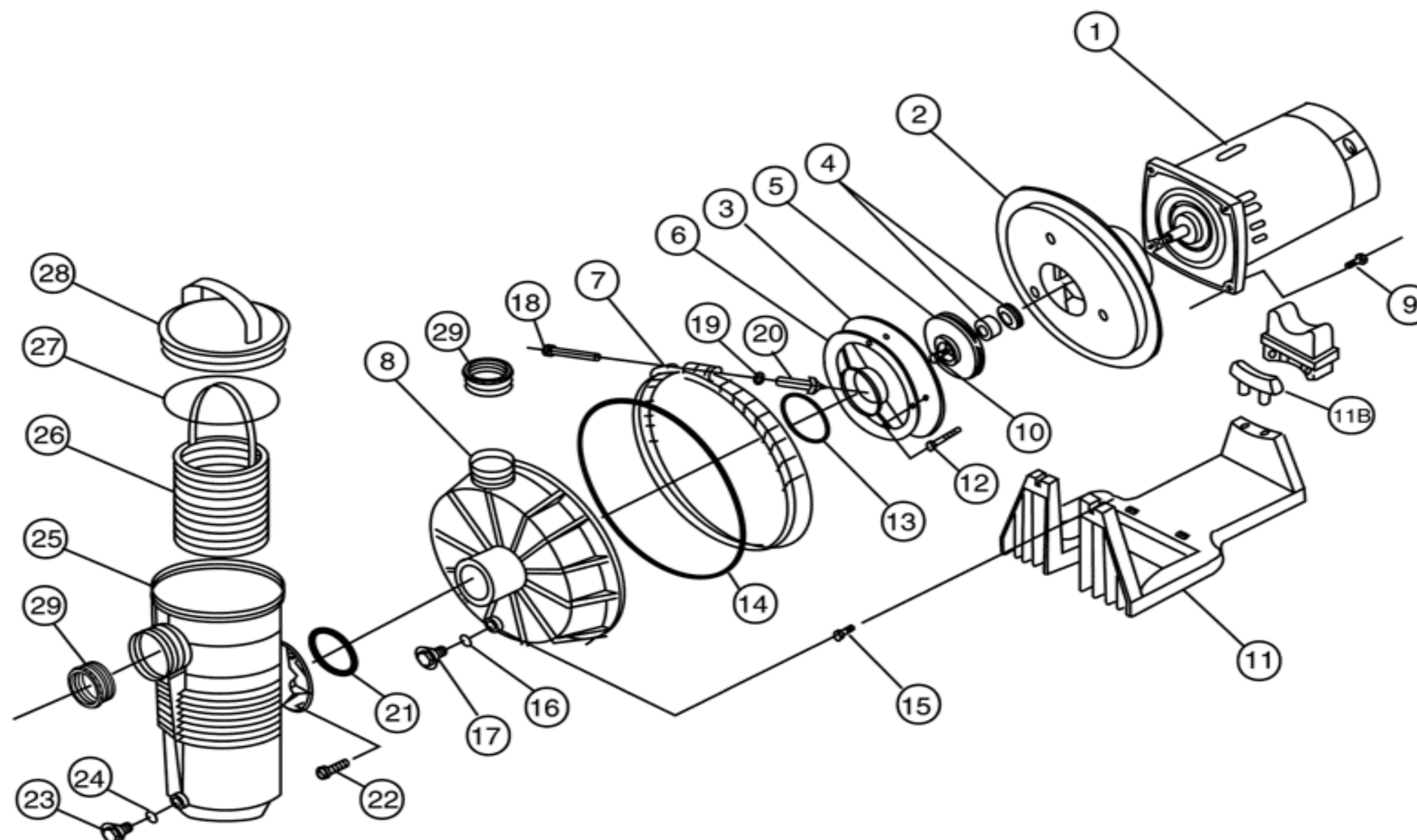




PENTAIR CHALLENGER HIGH FLOW PUMP PARTS

Item #	Part No.	Description	List Price
2	355303	Plate, seal	CALL
2	355497	Plate, seal, black (5HP)	CALL
2	355528	Plate, Seal, almond	CALL
3	355028	Plate, mounting 1/2F, 1A	CALL
3	355078	Plate, mounting 1F thru 2A	CALL
3	355095	Plate, mounting 2F thru 2-1/2A	CALL
3	355495	Plate, mounting, 5F	CALL
4	354545S	Seal 5/8 in. mechanical PS200	CALL
5	355043	Impeller 1/2F, 3/4A	CALL
5	355067	Impeller 3/4F, 1A	
5	355074	Impeller 1F, 1-1/2A	59.70
5	355086	Impeller 1-1/2F, 2A	CALL
5	355093	Impeller 2F, 2-1/2A ¹	CALL
5	355068	Impeller 3F 50Hz/ 5F 60Hz	59.00
6	355029	Diffuser 1/2F, 1A	CALL
6	355077	Diffuser 1F, 1F, 1A, 2A	CALL
6	355094	Diffuser 2F - 2-1/2A	CALL
6	355069	Diffuser 3F 50Hz/ 5F 60H	43.70
7	355320	Band clamp assembly, complete	89.00
8	355468	Housing, front, black	CALL
8	355469	Housing, front, almond	CALL
9	354290	Screw 3/8" x 16 x 1" Hx Cap 18-8 s/s 3/8 in., 16 SS hex head	CALL
10	355389	Screw, impeller locking	3.90
11	355305	Base, pump ³	CALL
11B	355385	Adapter, 5 -5/8 in. dia. Motor ⁴	CALL

Item #	Part No.	Description	List Price
12	355334	Screw 8-32 x 1 in. SS hex wsh hd., 3 req.	2.00
13	355030	O-ring, diffuser	CALL
14	355329	O-ring, front housing	17.00
15	355335	Screw, 5/16, 18 x 1/2 in. SS hex hd. , 2 req.	CALL
16	192115	O-ring, drain plug	CALL
17	154699	Drain Plug 1/4 in.	7.30
18	152060	Bolt, 5/16 in., 18 x 4 in. carriage ⁵	CALL
19	72173	Washer, flat 5/16 in. SS flat	CALL
20	174882	Knob, band assembly	28.50
20	175025	Knob (fits clamp w/captured T-bolt only)	CALL
21	355330	O-ring Strainer pot flange	3.50
22	354265	Screw 5/16 in., 18 x 3/4 in. SS hex wsh hd., 4 req.	CALL
23	154699	Drain Plug 1/4 in.	7.30
24	192115	O-ring, drain plug	CALL
25	355300	Strainer pot	133.00
25	355900	Strainer pot 5F 3 in. suction, black	CALL
26	355318	Basket, plastic strainer (all except 3F)	17.90
26	355441	Basket, strainer SS (3F only)	CALL
26	355901	Basket, SS strainer 5F	CALL
27	350013	O-ring pot flange	7.90
27	152509	Square ring 8-1/2" (5HP only)	CALL
28	355301	Lid, strainer pot	52.00
28	354112	Lid, strainer pot, chemical resistant	CALL
28	355902	Lid, strainer pot 5F	82.00
28	355914	Lid, strainer pot 5F, chemical resistant	CALL
29	552377	Bushing, reducer 1/2F, 3/4F, 3/4A, 1A,	CALL
31	154527	Wrench, 8-1/2 in.	CALL

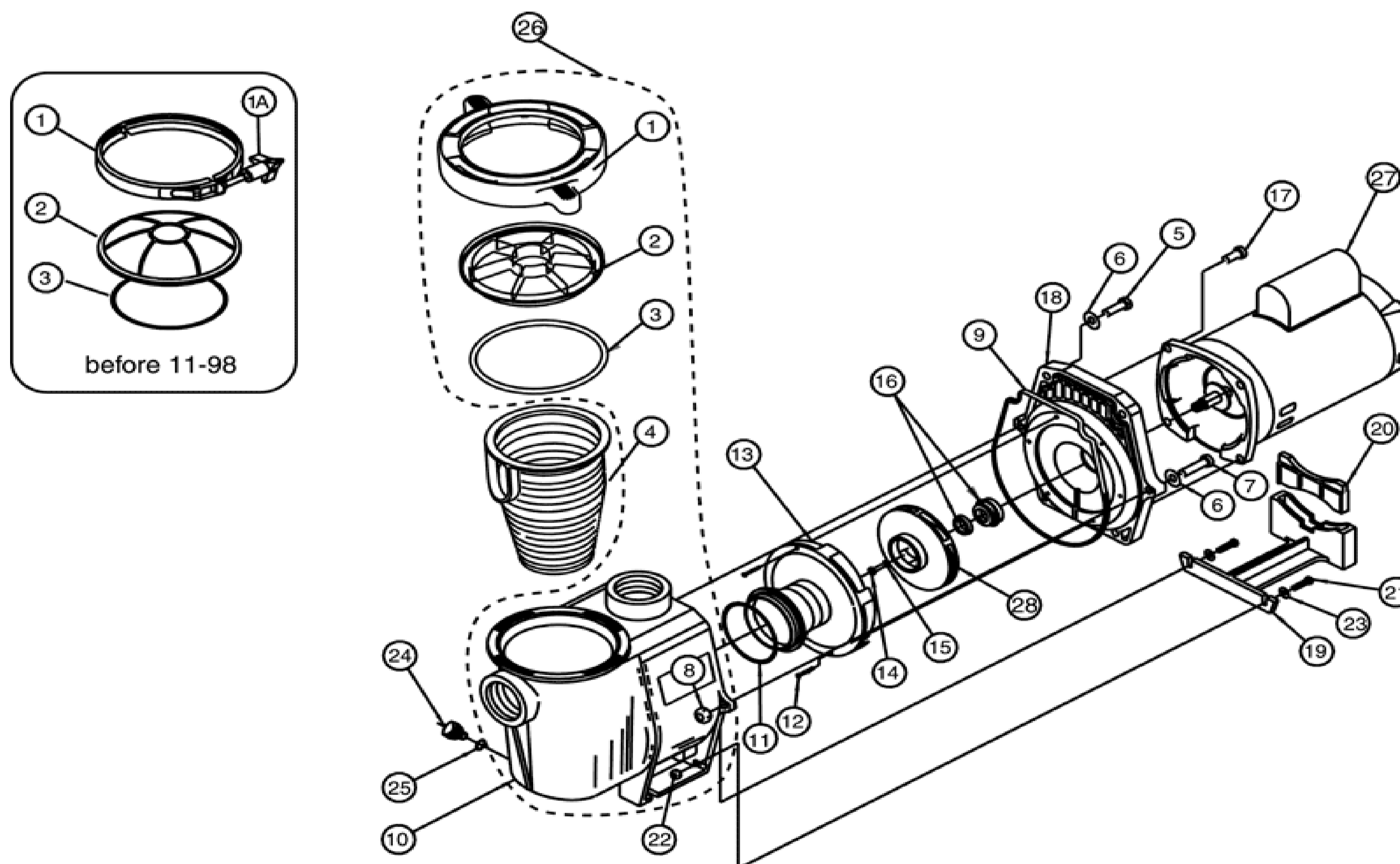




PENTAIR WHISPER FLO PUMP PARTS

Item #	Part No.	Description	List Price
1	70711	Clamp band assembly, SS, WF/AQ (old style) ⁵	82.94
1	357150	Clamp, Cam & Ramp™, plastic, black, WF ⁷	CALL
1	357199	Clamp, Cam & Ramp, plastic, almond, WF ⁸	48.74
1A	71136	Knob, plastic only ⁵	CALL
2	70795	Cover, clear, AQ/WFE pump (old style) ⁵	55.88
2	357151	Cover, clear, WFE pump ⁶	33.70
2	357156	Cover, chemical resistant Cam & Ramp	CALL
3	71422	O-ring, AQ/WFE cover ⁵	CALL
3	350013	O-ring pot flange WFE cover ⁶	7.90
4	70387	Basket WF AQ, WFE	21.80
5	70430	Bolt, 3/8 -16 x 1-1/4 hex cap 18-8 SS, 4 req.	CALL
6	72184	Washer, flat 3/8" ID x 7/8" OD .05 Thk 18-8 s/s - (qty. 5 ¹ & qty. 9) 3/8 x 13/16 o.d. SS, 6 req.	CALL
7	70431	Bolt, 3/8 -16 x 2 hex cap 18-8 SS, 2 req.	CALL
8	71403	Nut, 3/8, 16 brass nickel plated, 2 req.	CALL
9	71445	O-ring parker No.2-265, WFE pump ^{1,4}	7.50
9	357100	Black Gasket for Seal plate ¹⁴	CALL
9	357102	Almond gasket for seal plate ¹⁵	9.90
10	357149	Volute, WFE pump & pot (Replaces 074565) Seal Plate, Almond ⁶	298.00
10	350015	Housing, WFE pump & pot, almond ⁶	CALL
10	357157	Volute, WFE pump & pot, black ⁹	CALL
11	71444	O-ring #238 parker, WFE pump	3.90
12	71660	Screw set, 4-40 x 1-1/8 WFE sckt cap 18-8 SS, 2 req.	4.40
13	72928	Diffuser assembly, WFE-12, 3 HP only	92.86
13	72927	Diffuser assembly, WFE-2-8, 1/2 HP - 2.5 HP	79.00

Item #	Part No.	Description	List Price
14	71652	Screw, 1/4, 20x1 LH phillips pan MS 18-8 S/S	8.60
15	175713	Impeller, washer gasket	CALL
16	071734S	Seal PA-7 w/ceramic seat, PS1000	CALL
17	70429	Bolt 3/8 16 x 7/8 SS hex hd., 4 req.	CALL
18	350201	Seal Plate Kit WFE Almond (Includes Mechanical Seal installed)	CALL
18	350101	Seal Plate Kit (Includes Mechanical Seal installed)	CALL
19	70927	Foot WF, pump motor support almond	CALL
19	357159	Foot, black ⁹	CALL
20	70929	Foot insert WF pump almond	CALL
20	357160	Foot insert, WFE pump, black ⁹	CALL
21	71657	Screw, 1/4, 20 x 1 in. hex cap 18-8 SS, 2 req.	CALL
22	71406	Nut, 1/4, 20 hex. hd. SS, 2 req.	CALL
23	72183	Washer, flat 1/4 x 5/8 20 GA thick 18-8 SS, 2 req.	CALL
24	71131	Plug drain WFE, almond, 2 req.	CALL
24	357161	Plug drain, knob, 2 req., black ⁹	7.30
25	192115	O-ring, drain plug 2 req.	CALL
26	357149	Volute, WFE pump & pot (Replaces 074565) almond ⁶	298.00
28	73126	Impeller WFE-2 1000 series	87.96
28	73127	Impeller WFE-3 1000 series, WF-3 & 24, FE-24	95.70
28	73128	Impeller WFE-4 1000 series, WF-4 & 26, FE-26	95.70
28	73129	Impeller WFE-6 1000 series, WF-6 & 28, WFDS-6 & 28, WFE-28	95.70
28	73130	Impeller WFE-8 1000 series, WF-8 & 30, WFDS-8 & 30, WFE-30	95.70
28	73131	Impeller WFE 12 1000 assembly	98.00

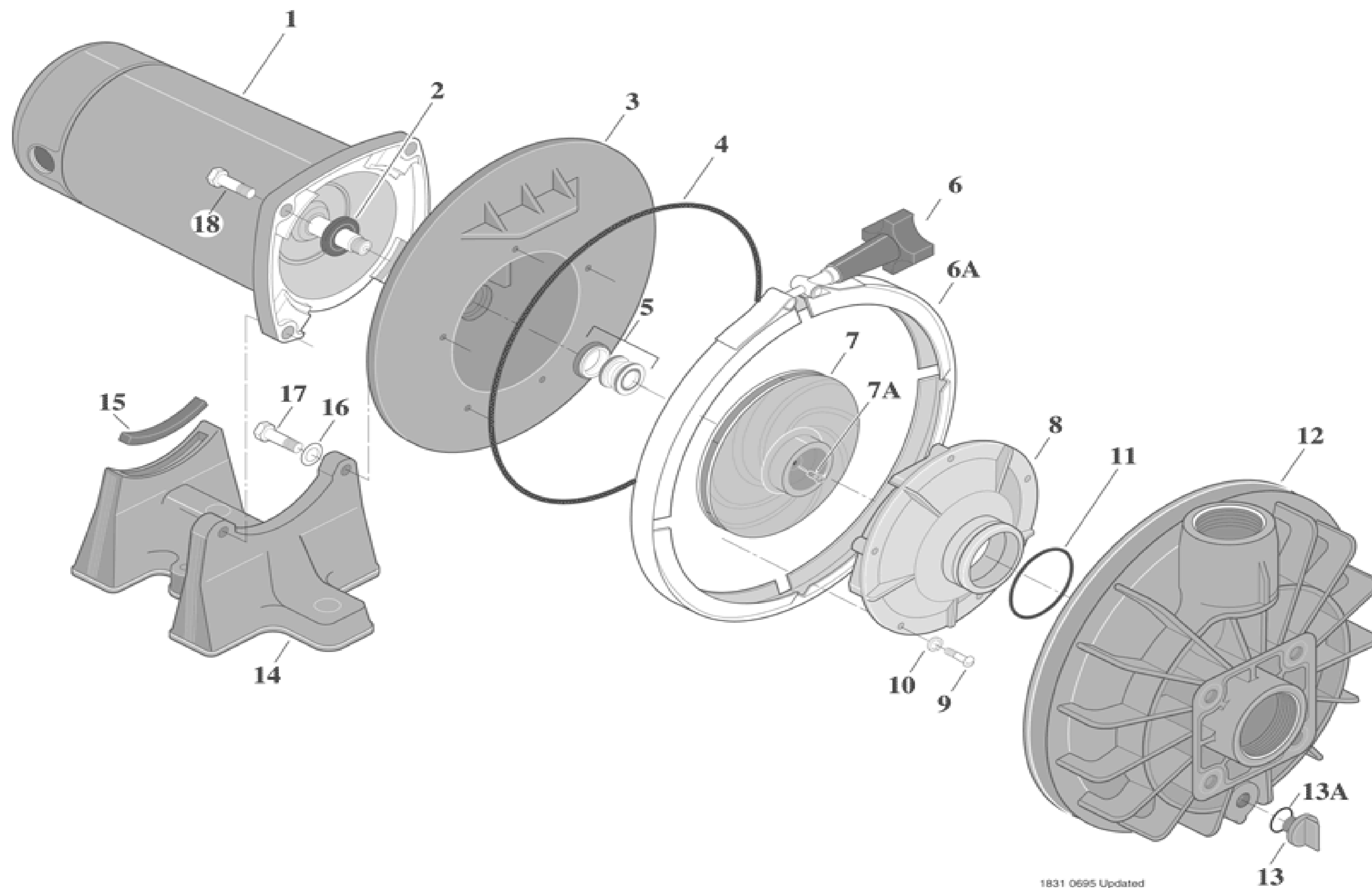




STA-RITE MAX-E-GLAS/DURA-GLAS PUMP PARTS

Item #	Part No.	Description	List Price
2	17351-0009	Water Slinger ^{3,4}	CALL
3	C203-193P	Seal Plate Kit ^{1,2}	158.00
4	U9-228A	O-Ring	11.44
5	17304-0100S	Shaft Seal	CALL
6	WC36-22	Clamp Knob	15.50
6A	C19-37A	V-Clamp	91.72
7	C105-92PS	Impeller, all 1/2HP	67.4
7	C105-138PEBA	Impeller, 3/4HP UR	CALL
7	C105-138PEB	Impeller, 3/4HP FR / 1HP UR	72.04
7	C105-137PEB	Impeller, 1HP FR / 1.5HP UR	88.54
7	C105-137PDBA	Impeller, 1.5HP FR / 2HP UR	88.54
7	C105-137PDA	Impeller, 2HP FR / 2.5HP UR	88.54
7	C105-137PKBA	Impeller, all 3HP	CALL
7A	C30-12	Impeller Screw – 1-1/2 thru 3 HP	7.10
8	C1-216P	Diffuser – 1/2 HP (Up Rate)	29.84

Item #	Part No.	Description	List Price
8	C1-200PA	Diffuser – 1 thru 2-1/2 HP (Up Rate)	28.44
8	C1-217P	Diffuser 1/2 HP (Up Rate)	CALL
9	U30-542SS	Capscrew, 8-32 x 7/8"	3.90
10	U43-21SS	Lockwasher, #8	2.50
11	U9-226	O-Ring, Union	3.90
12	C176-47P1	Tank Body	136.00
13	U178-920P	1/4" NPT Plug with O-Ring	5.00
13A	U9-359	Drain Plug O-Ring	CALL
14	C104-42P	Base with Motor Pad	46.00
14	J104-9C	Base, metal (Model P2RAXF-182LS Only)	CALL
15	C35-11	Motor Pad	CALL
16	U43-42SS	Washer, Flat	CALL
17	U30-74SS	Bolt, 3/8 - 16 x 1 in. S.S.	CALL
18	U30-77SS	Capscrew, 3/8 - 16 x 1-3/4" Hex Head	CALL



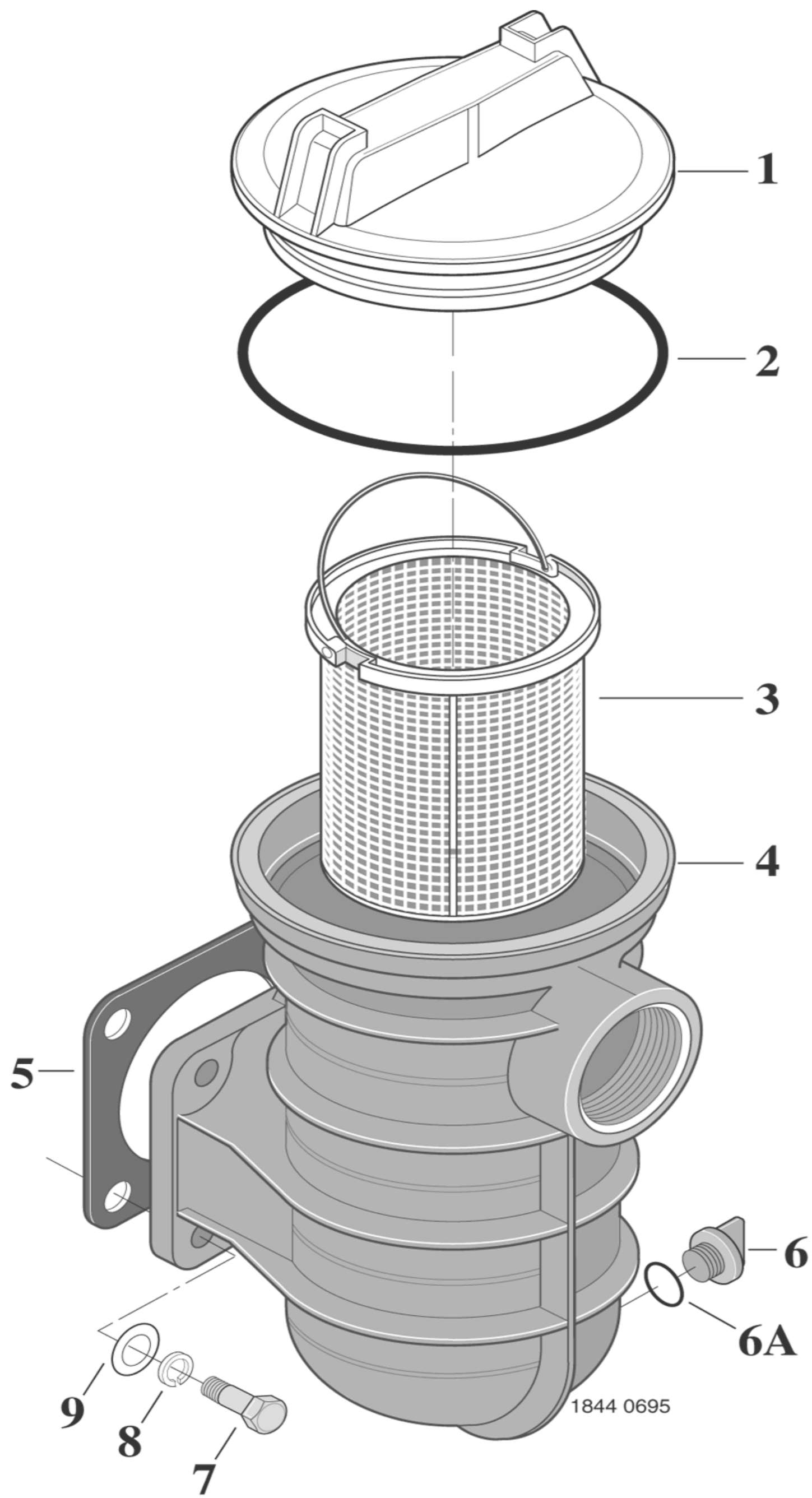
1831 0695 Updated



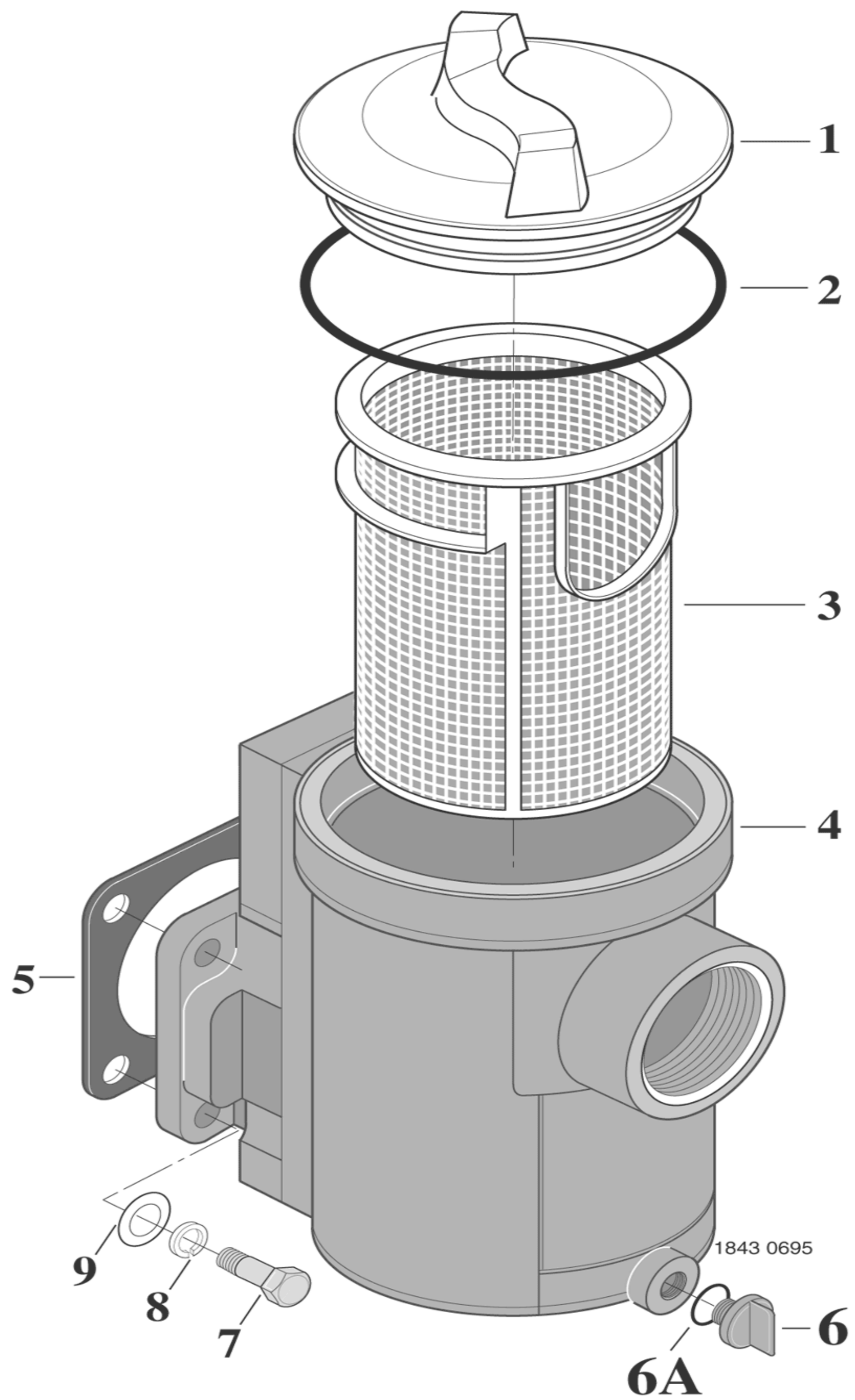
STA-RITE MAX-E-GLAS/DURA-GLAS PUMP PARTS

Hair & Lint Trap Parts - Pkg. 115			
Item #	Part No.	Description	List Price
1	C3-139P1	Trap Lid	48.00
1A	C3-139P3	Cover (Biguanide Resistant)	CALL
2	U9-229	Trap Lid Gasket	9.90
3	C108-33P	Trap Basket *	15.00
4	C153-53P1	Trap Body	109.00
5	C20-123	Trap Outlet Gasket	5.90
6	U178-920P	1/4" NPT Plug with O-Ring NPT	5.00
6A	U9-359	O-Ring	CALL
7	U30-64SS	Cap Screw 5/ 16 - 18 x 1 1/4"	CALL
8	U43-11SS	Lock Washer	CALL
9	U43-41SS	Base Washer	CALL

Hair & Lint Trap Parts - Pkg. 181			
Item #	Part No.	Description	List Price
1	16920-0011	Lid	CALL
2	16920-0012	O-Ring	CALL
3	16920-0017	Strainer Basket	28.00
4	C253-58P	Trap and Adapter Assembly	CALL
5	C20-123	Trap Outlet Gasket	5.90
6	U178-920P	1/4" NPT Plug with O-Ring	5.00
6A	U9-359	O-Ring	CALL
7	U30-64SS	Cap Screw 5/ 16 - 18 x 1 1/4"	CALL
8	U43-11SS	Lock Washer 5/ 16"	CALL
9	U43-41SS	Base Washer 5/ 16" Flat	CALL



PKG. 115

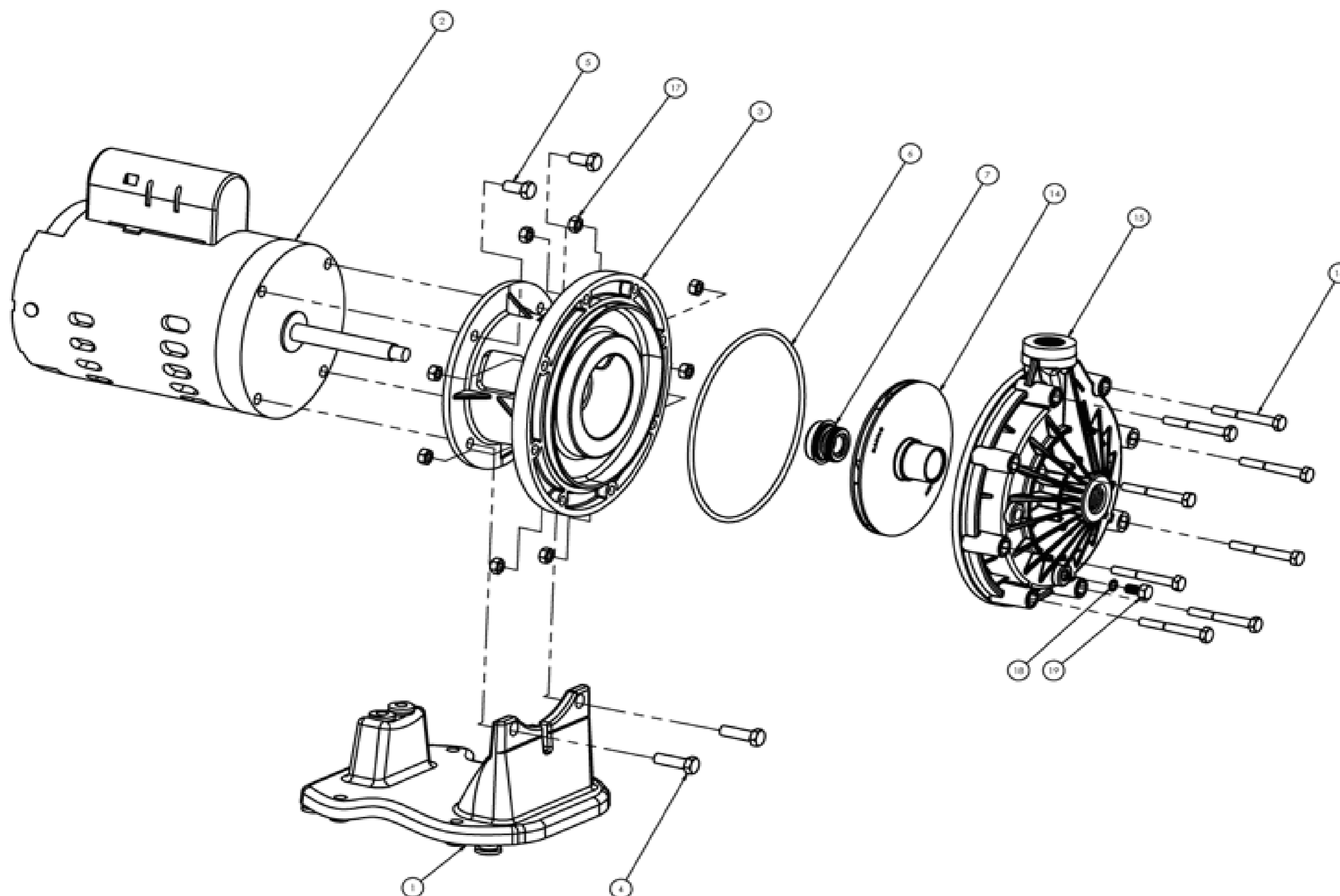


PKG. 181



LETRO BOOSTER PUMP PARTS

Item #	Part No.	Description	List Price
1	LA41	Pump stand 99, complete with rubber grommets	CALL
2	LA10NS	Motor 230/115V, 1pH, 30 hz, 6-1/2/13A	CALL
3	LA295*	Seal bracket	146.00
4	LA136	Bolt 3/8 - 16x3/4, 2 reg	CALL
5	LA135	Bolt 3/8 - 16x3/4, 2 reg	CALL
6	LA415*	O-ring for seal bracket	CALL
7	071734S	Seal PA-7 w/ceramic seat, PS1000	CALL
14	LA05L*	Impeller (new style)	39.00
14	LA02L	Impeller (old style)	CALL
15	LA39534*	Volute	CALL
16	LA115	Bolt	CALL
17	LA125	Nut	CALL
18	LA375*	O-ring for drain plug	CALL
19	EB20*	Drain plug	CALL
NS	353020	Hose kit 2 plastic fittings and 1-6 ft white hose. (built after 2005)	53.00
NS	LD10	Hose washer (built prior to 2005), steel with black hose	CALL

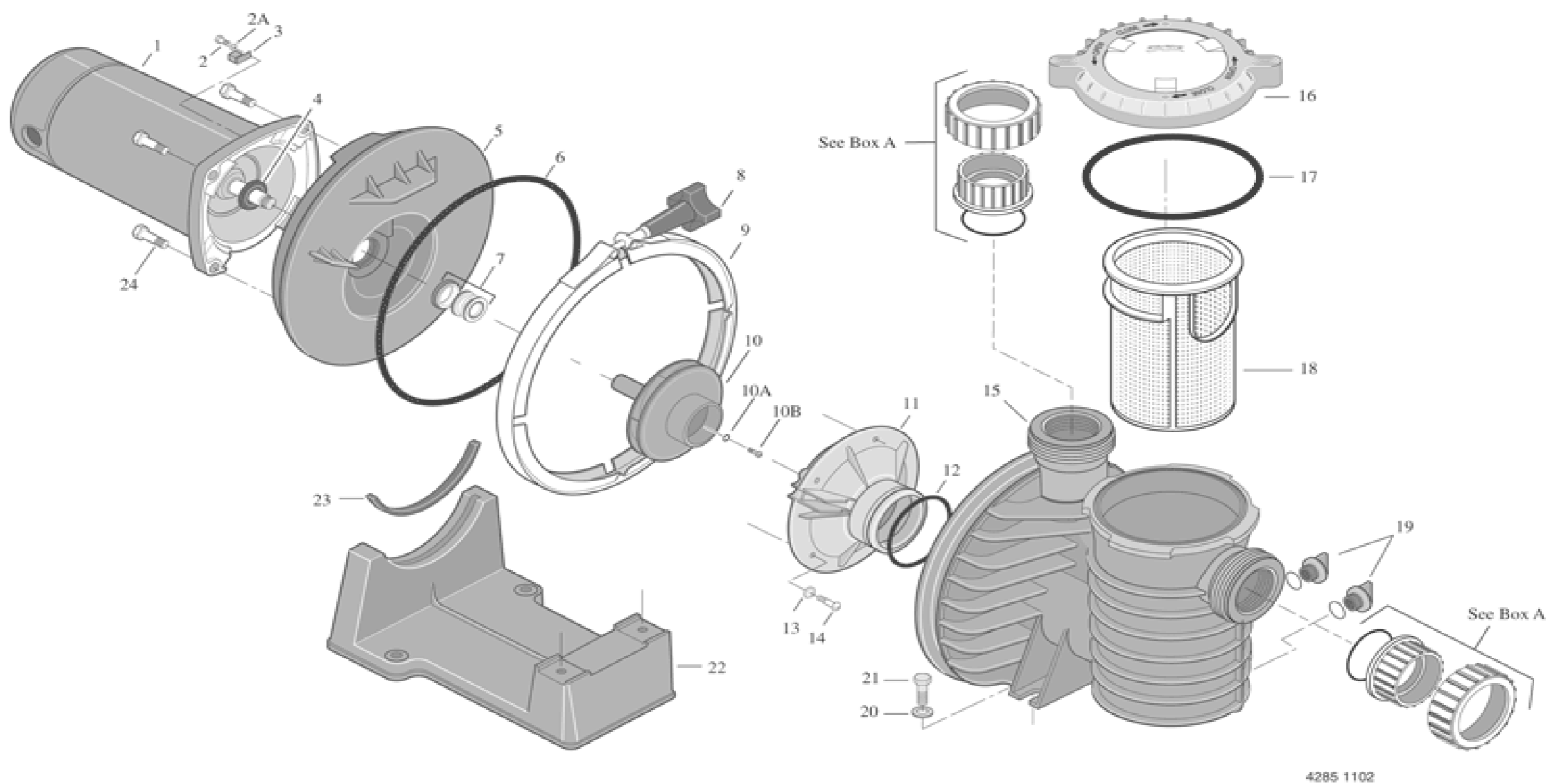




STA-RITE MAX-E-GLAS II / DURA-GLAS II PUMP PARTS

Item #	Part No.	Description	List Price
2	U30-692SS	Screw	3.90
2A	U43-22SS	Lockwasher	CALL
3	U17-568	Bonding Lug	CALL
4	17351-0009	Water Slinger	CALL
5	C203-194P	Seal Plate Kit (Includes Part Nos. 6, 7)	169.30
6	U9-228A	O-Ring	11.44
7	37400-0028S	Shaft Seal, Viton	39.90
8	WC36-22	Clamp Knob	15.50
9	C19-37A	V-Clamp	91.72
10	C105-238P	Impeller, 3/4HP FR / 1HP	75.63
10	C105-238PB	Impeller, 1HP FR / 3/4HP UR	75.63
10	C105-238PDBA	Impeller 1.5HP UR / 2HP FR	77.92
10	C105-238PDCA	Impeller 1.75HP UR	77.92
10	C105-238PEBA	Impeller 2HP UR / 2.5HP FR	77.92
10	C105-238PLA	Impeller 3HP	81.03
10A	35505-1426	Impeller O-Ring Screw	CALL
12	U9-374	Diffuser O-Ring	CALL

Item #	Part No.	Description	List Price
13	U43-21SS	Lockwasher, #8	2.50
14	U30-542SS	Capscrew, 8-32 x 7/8" (w/C1-271P1 Diffuser)	CALL
15	17307-0110S	Tank Body Assembly ²	316.98
16	17307-0111S	Trap Cover Assembly ¹	78.48
17	35505-1440	Trap Cover, O-Ring	20.74
18	C8-58P	Trap Basket	CALL
19	U178-920P	1/4" NPT Plug with O-Ring	5.00
19	U9-359	O-Ring drain plug	CALL
20	U43-41SS	Base Washer	CALL
21	U30-918SS	Screw, Base	CALL
22	C4-78P	Base	CALL
22	C104-79P	Base with Motor Pad (3 HP only)	CALL
23	C35-43	Motor Pad	CALL
23	C35-44	Motor Pad (3 HP only)	CALL
24	U30-74SS	Bolt, 3/8 - 16 x 1 in. S.S. Hex Hd Screw	CALL
24	U30-99SS	Capscrew, Socket Head, 3/8-16 x 1" (3 HP only) Hex Hd Screw	CALL

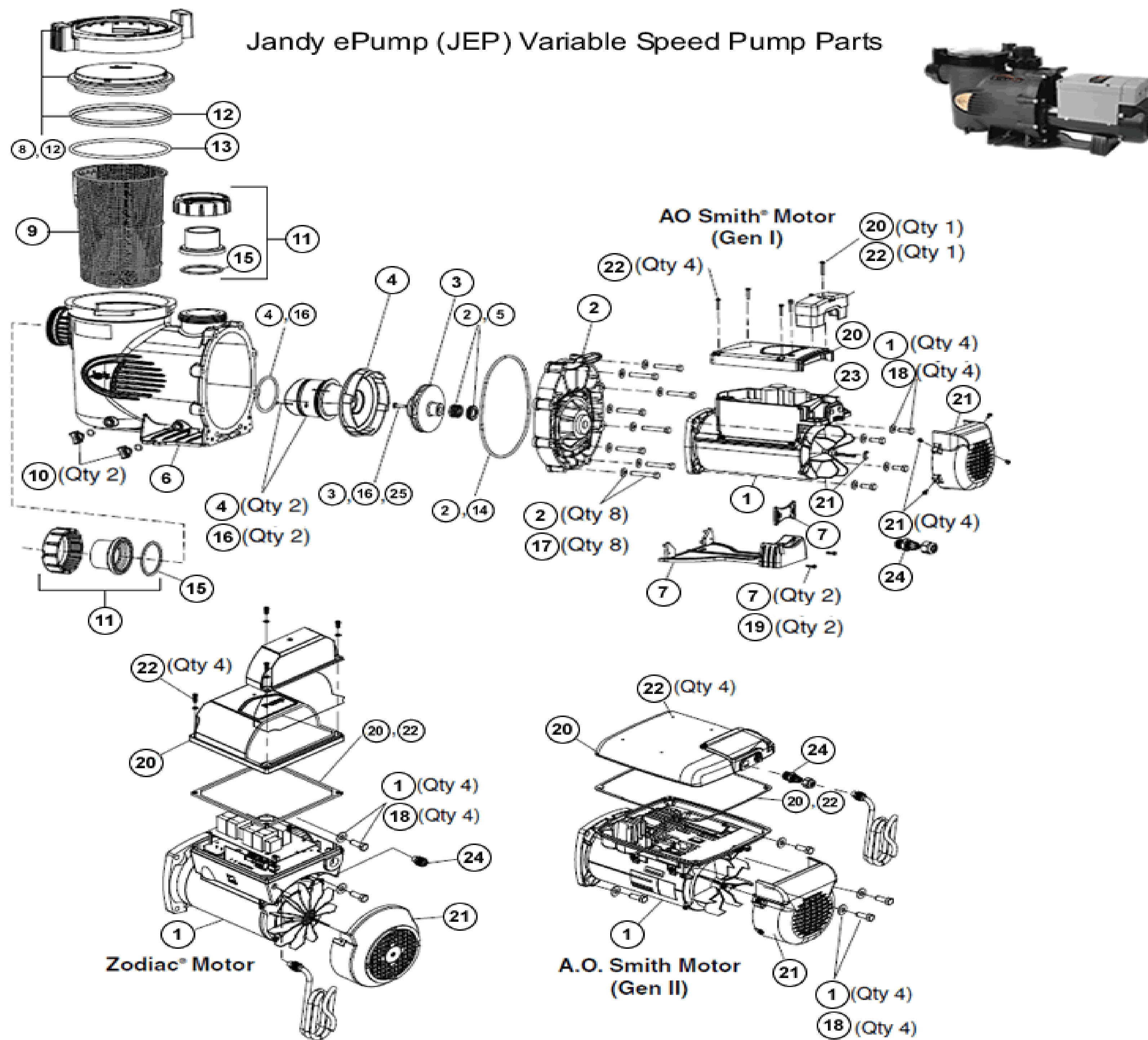




JANDY ePUMP (JEP) VARIABLE SPEED PUMP

Item #	Part No.	Description	List Price
2	R0445200	Backplate, Seal, O-ring, Bolts and Washer kit	CALL
3	R0445305	2.0 HP Impeller w/screw	80.84
3	R0445304	1.5 HP Impeller w/screw	80.66
4	R0445400	Diffuser w/O-ring and hardware	72.72
5	R0479400	Seal and ceramic assembly	CALL
6	R0445601	Pump Body	370.00
7	R0445700	Motor mounting foot assembly	CALL
8	R0445800	Lid, lock ring and O-ring assembly	112.42
9	R0445900	Filter basket	33.90
10	R0446000	Drain plug & O-ring (set of 2)	19.58
11	R0446101	Tail piece, coupling nut & O-ring (set of 2)	CALL
12	R0446200	Lid seal O-ring	CALL
13	R0479000	Blue pressure O-ring	CALL
14	R0446300	O-ring, backplate	21.30
15	R0446400	O-ring, tailpiece (set of 2)	25.00
16	R0446500	Impeller mounting screw w/O-ring, Diffuser mounting screws and washers, Diffuser O-rings (kit)	CALL
17	R0446600	Backplate hardware bolt/washer set (8)	CALL
18	R0446700	Motor hardware bolt/washer set (4)	CALL
19	R0446800	Screws, motor mounting foot (2)	CALL

Item #	Part No.	Description	List Price
20	R0475000	Speed drive cover/hardware kit (Gen I)	CALL
20	R0562300	Speed drive cover/hardware kit (Gen II)	CALL
20	R0529800	Speed drive cover/hardware kit (Zodiac Motor)	CALL
21	R0474800	Fan Kit (Gen I)	CALL
21	R0562400	Fan Kit (Gen II)	CALL
21	R0515700	Fan Kit (Zodiac Motor)	CALL
22	R0475100	Speed Drive Hardware Kit (Gen I)	CALL
22	R0562500	Speed Drive Hardware Kit (Gen II)	CALL
22	R0515900	Speed Drive Hardware Kit (Zodiac Motor)	CALL
23	R0660900	4-pin connector, speed drive (Gen I)	CALL
23	6609+	4-pin connector, speed drive (Gen II * Zodiac motor)	CALL
24	R0501100	Data cable bulkhead fitting	CALL
25	R0515400	Screw w/O-ring, self-sealing	CALL
26	R0535100	Cable, RS485	CALL
27	R0529100	Junction box cover w/hardware (Zodiac motor)	CALL
28	R0526200	Screw, electric box	CALL
	R3009601	User interface remote mounting kit	CALL
	R0472300	Gasket, user interface	CALL



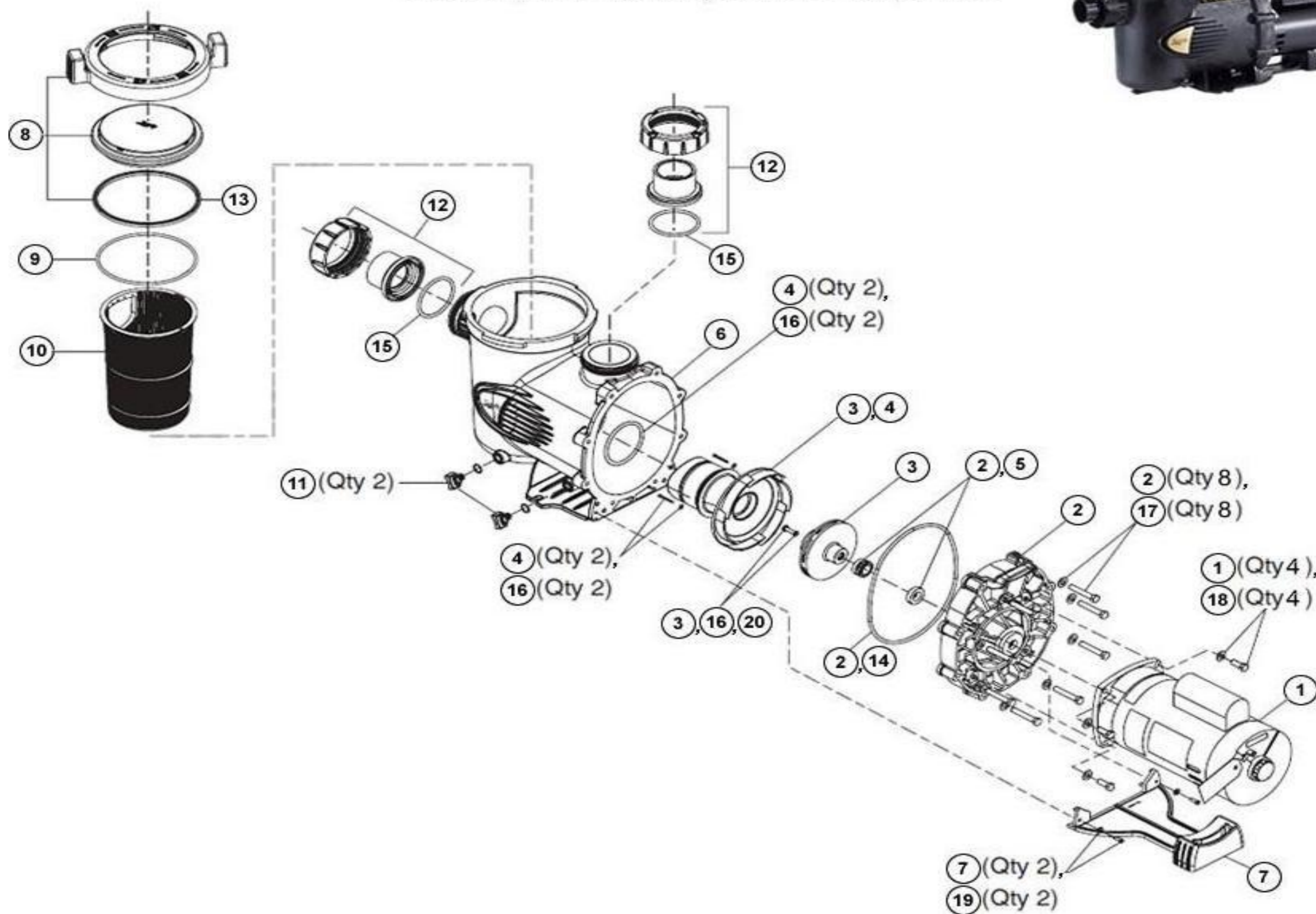


JANDY STEALTH (SHPF/SHPM) SERIES PUMP

Item #	Part No.	Description	List Price
2	R0445200	Backplate, Seal, O-ring, Bolts and Washer kit .5 - 3HP	CALL
2	R0445201	Backplate, Seal, O-ring, Bolts and Washer kit 5HP	CALL
3	R0445301	Impeller w/screw .5HP (SHPF) / .75HP (SHPM)	CALL
3	R0445302	Impeller w/screw .75HP (SHPF) / 1HP (SHPM)	CALL
3	R0445303	Impeller w/screw 1HP (SHPF) / 1.5HP (SHPM)	79.16
3	R0445304	Impeller w/screw 1.5HP (SHPF) / 2HP (SHPM)	80.66
3	R0445305	Impeller w/screw 2HP (SHPF) / 2.5HP (SHPM)	80.84
3	R0445306	Impeller w/screw 3HP (SHPF)	82.56
3	R0445307	Impeller w/screw 5HP (SHPF)	CALL
4	R0445400	Diffuser w/O-ring and hardware (.5HP - 3HP)	72.72
4	R0445401	Diffuser w/O-ring and hardware (5HP)	CALL
5	R0479400	Seal and ceramic assembly (Ser# P08FF0001 and later)	CALL
5	R0445500	Seal and ceramic assembly (old style)	48.00
6	R0445601	Pump Body	370.00
7	R0445700	Motor mounting foot assembly	CALL

Item #	Part No.	Description	List Price
8	R0445800	Lid, lock ring and O-ring assembly	112.42
9	R0479000	Blue pressure O-ring	CALL
10	R0445900	Filter basket	33.90
11	R0446000	Drain plug & O-ring (set of 2)	19.58
12	R0446101	Tail piece, coupling nut & O-ring (set of 2) - .5HP - 3HP	CALL
12	R0446102	Tail piece, coupling nut & O-ring (set of 2) - 5HP	112.00
13	R0446200	Lid seal O-ring	CALL
14	R0446300	O-ring, backplate	21.30
15	R0446400	O-ring, tailpiece (set of 2)	25.00
16	R0446500	Impeller mounting screw w/O-ring, Diffuser mounting screws and washers, Diffuser O-rings (kit)	CALL
17	R0446600	Backplate hardware bolt/washer set (8)	CALL
18	R0446700	Motor hardware bolt/washer set (4)	CALL
19	R0446800	Screws, motor mounting foot (2)	CALL
20	R0515400	Screw w/O-ring, self-sealing	CALL

Stealth (SHPF/SHPM) Series Pump Parts

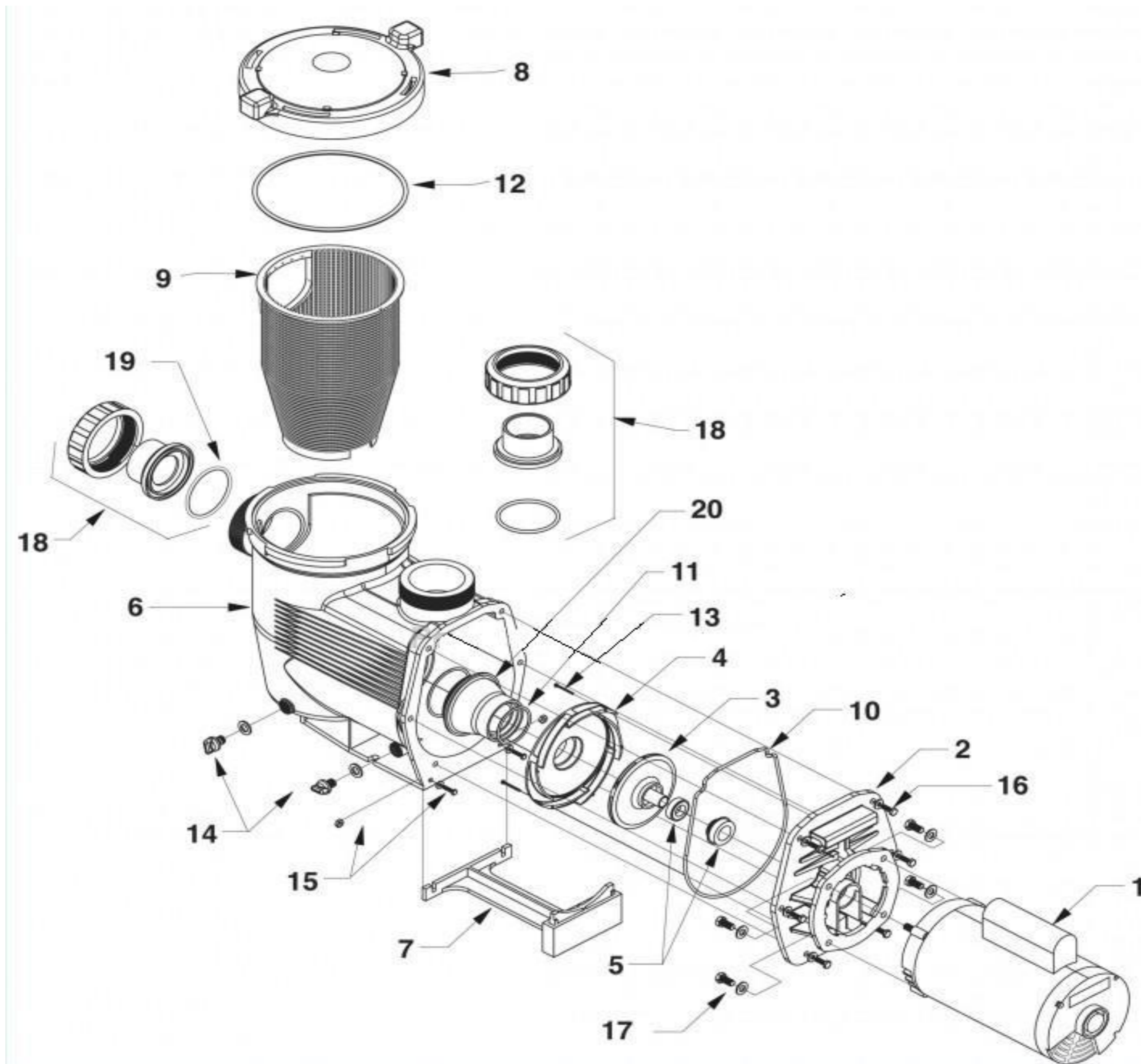




JANDY JHP/JHPU SERIES PUMP

Item #	Part No.	Description	List Price
2	R0556000	Mounting bracket	238.00
3	R0555801	Impeller .75HP(JHP) / 1.0HP (JHPU)	CALL
3	R0555802	Impeller 1.0HP(JHP) / 1.5HP	CALL
3	R0555803	Impeller 1.5HP(JHP) / 2.0HP	98.82
3	R0555804	Impeller 2.0HP(JHP) / 2.5HP	104.00
3	R0555805	Impeller 3HP(JHP)	CALL
4	R0555701	Diffuser w/cone and cone O-ring kit	63.88
4	R0555705	Diffuser w/cone and cone O-ring kit	60.66
5	R0338200	Mechanical Seal	Disc.
6	R0555600	Pump Body	Disc.
7	R0559200	Mounting foot assembly	CALL
8	R0555300	Pot lid w/ clamp ring	130.74
9	R0555500	Pot basket	CALL
10	R0555900	Pump body gasket	32.50
11	R0558701	Diffuser O-ring	18.90

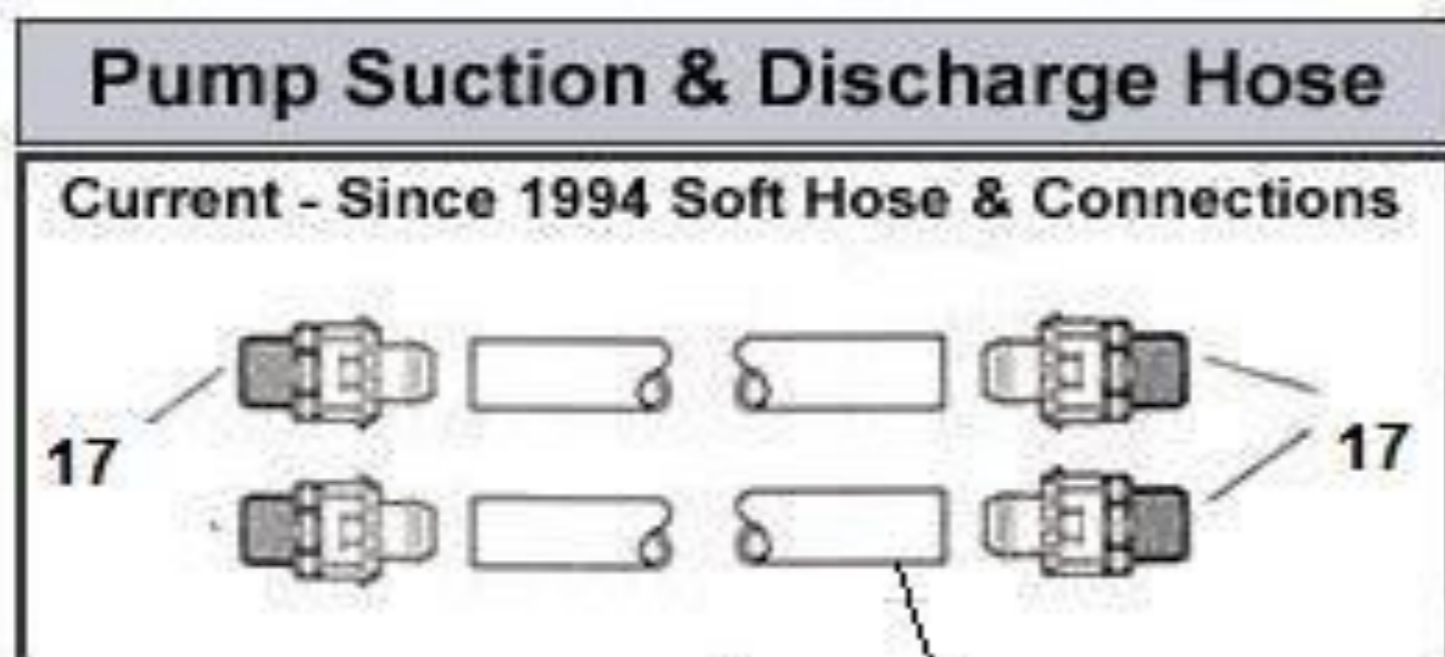
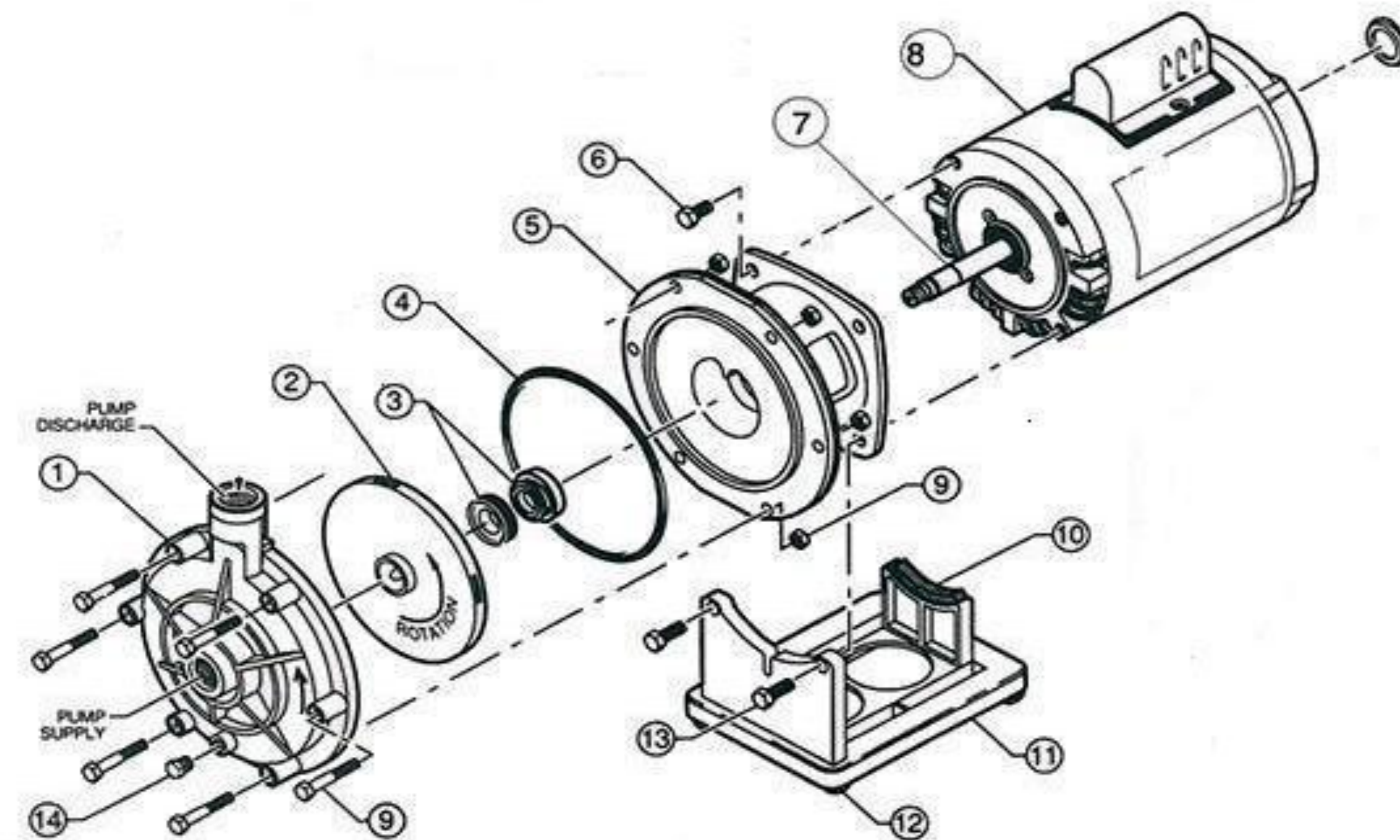
Item #	Part No.	Description	List Price
12	R0555400	Pot lid O-ring	31.70
13	R0555201	Diffuser mounting hardware set	CALL
14	R0559500	Drain plugs (2)	CALL
15	R0339200	Foot mounting hardware	CALL
16	R0339300	Bracket mounting hardware	CALL
17	R0339400	Motor mounting hardware	CALL
18	R0556300	Coupling nut set (2 - 2 1/2") .75 - 2.5HP	94.00
18	R0559900	Coupling nut set (2 1/2 - 3") 3HP	CALL
19	R0339600	Coupling nut O-rings (2)	CALL
20	R0398800	Self-sealing impeller screw w/ O-ring	CALL
NS	R0443700	Gauge adapter kit (1 brass and 1 plastic)	CALL
NS	R0556500	Complete O-ring set (7)	53.94
NS	R0556600	Complete hardware set	CALL





POLARIS PB4-60 BOOSTER PUMP

Item #	Part No.	Description	List Price
1	P-5	Pump Volute	57.90
2	P-15	Pump Impeller	30.50
3	P-55	Pump Seal	CALL
4	P-95	O-Ring, Bracket to Volute	13.90
5	P-10	Pump Bracket	55.90
6	P-35	Bracket to Motor Bolt	1.94
7	P-40	Pump Shaft O-Ring	2.00
8	P-61	Replacement Motor	CALL
9	P-25	Bolt/Nut, SS, For Volute to Bracket	CALL
10	P-80	Rubber Strip, Motor/Bracket	CALL
11	P-70	Pump Stand With Feet, Rubber Strip	CALL
12	P-75	Rubber Feet	CALL
13	P-65	Bolt, SS, Stand to Bracket and Motor	CALL
14	P-20	1/8 NpTM Plug, Plastic	2.80
15	P-17	Installation kit, Softube®, quick connects	51.00
16	P-19	Installation Kit with Quick Connects and 6 foot	CALL
17	P-133	Softube® Quick connect	7.90
NS	P-21	Pump Quick Connect Retainer	CALL



15 16

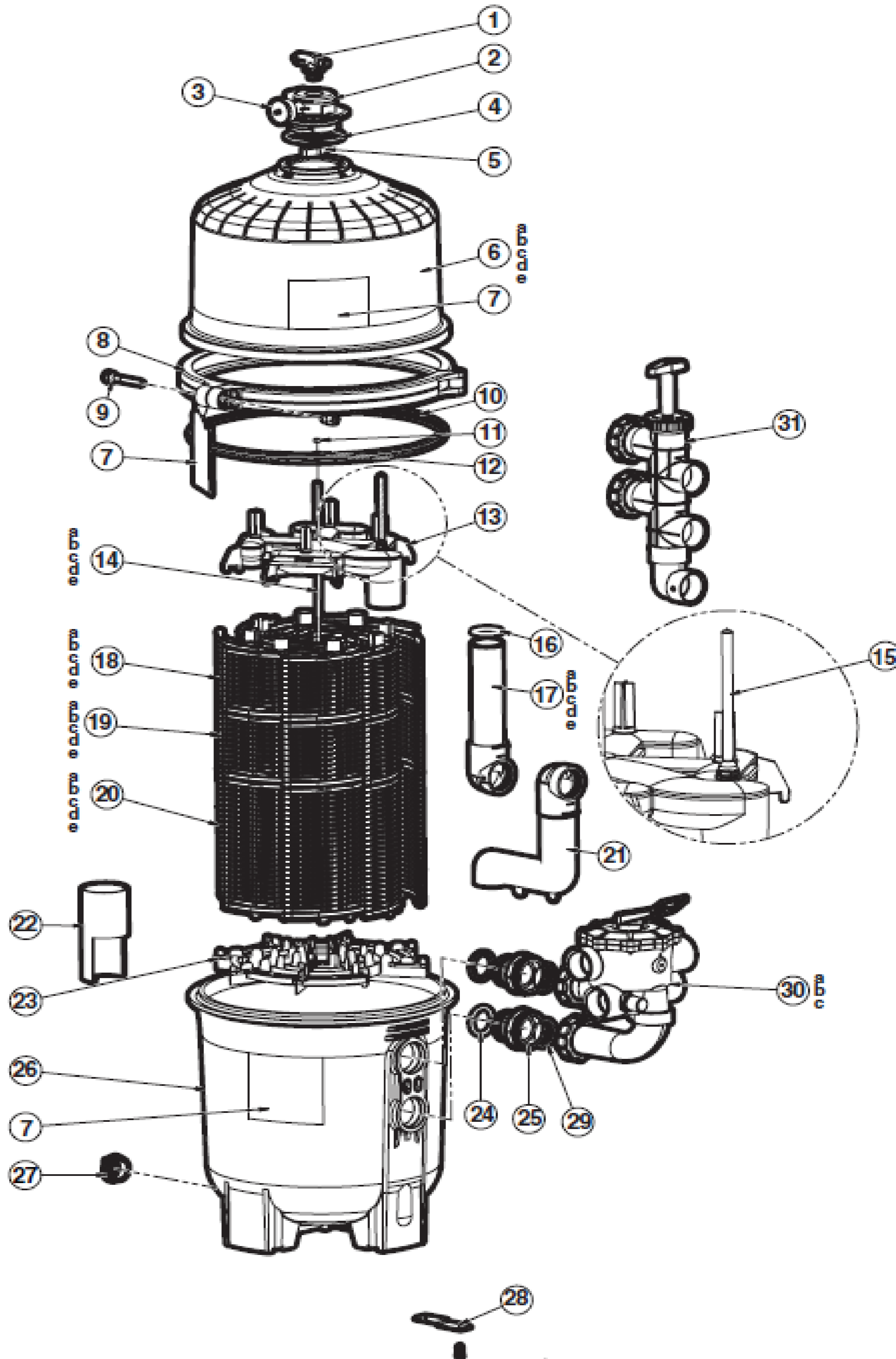


HAYWARD PRO-GRID DE FILTER PARTS

Item #	Part No.	Description	List Price
1	CCX1000V	Manual Air Relief w/O-ring	CALL
2	DEX2420MAR2	Manual Air Relief Assy.	CALL
3	ECX2712B1	Pressure Gauge (OEM)	CALL
4	DEX2420Z8A	O-ring kit (set 2)	CALL
5	CCX1000N	Manual Air Relief Nut	CALL
6	DEX2420BTC	Upper Filter Body W/Clamp Assy (DE2420)	CALL
6	DEX3620BTC	Upper Filter Body W/Clamp Assy (DE3620)	CALL
6	DEX4820BTC	Upper Filter Body W/Clamp Assy (DE4820)	674.64
6	DEX6020BTC	Upper Filter Body W/Clamp Assy (DE6020)	CALL
6	DEX7220BTC	Upper Filter Body W/Clamp Assy (DE7220)	756.60
7	DEX2420LA6PAK	Label pack - includes all labels	CALL
8	DEX2421JKIT	Clamp System (includes: Clamp / Nut and Bolt / Hand Tag / Metal Seal and Labels)	385.50
9	DEX2421J2	Clamp Bolt and Nut	CALL
10	DEX2422Z2	Metal Reinforced Seal	CALL
11	ECX176865	Retainer Nut 5/16"	CALL
12	ECX1109	Washer (2 required)	CALL
13	DEX2400C	Top Collector Manifold	83.00
14	DEX2400R	Retainer Rod (DE2420)	CALL
14	DEX3600R	Retainer Rod (DE3620)	58.60
14	DEX4800R	Retainer Rod (DE4820)	CALL
14	DEX6000R	Retainer Rod (DE6020)	CALL
14	DEX7200R	Retainer Rod (DE7220)	CALL
15	DEX2400CR	Flex Air Relief Assy.	CALL
16	DEX2400Z5	Outlet Elbow O-ring	CALL
17	DEX2420EA	Outlet Elbow (DE2420)	CALL
17	DEX3620EA	Outlet Elbow (DE3620)	CALL
17	DEX4820EA	Outlet Elbow (DE4820)	CALL
17	DEX6020EA	Outlet Elbow (DE6020)	CALL
17	DEX7220EA	Outlet Elbow (DE7220)	CALL

Item #	Part No.	Description	List Price
18	DEX2400DC	Filter Element Set (DE2420) 12" Tall	CALL
18	DEX3600DC	Filter Element Set (DE3620) 18" Tall	CALL
18	DEX4800DC	Filter Element Set (DE4820) 24" Tall	CALL
18	DEX6000DC	Filter Element Set (DE6020) 30" Tall	CALL
18	DEX7200DC	Filter Element Set (DE7220) 36" Tall	CALL
19	DEX2400DA	Single Full Filter Element (DE2420) 12" Tall X 11" Wide	CALL
19	DEX3600DA	Single Full Filter Element (DE3620) 18" Tall X 11" Wide	CALL
19	DEX4800DA	Single Full Filter Element (DE4820) 24" Tall X 11" Wide	CALL
19	DEX6000DA	Single Full Filter Element (DE6020) 30" Tall X 11" Wide	CALL
19	DEX7200DA	Single Full Filter Element (DE7220) 36" Tall X 11" Wide	CALL
20	DEX2400S	Single Partial Filter Element (DE2420) 12" Tall X 9-3/4" wide	37.18
20	DEX3600S	Single Partial Filter Element (DE3620) 18" Tall X 9-3/4" wide	CALL
20	DEX4800S	Single Partial Filter Element (DE4820) 24" Tall X 9-3/4" wide	CALL
20	DEX6000S	Single Partial Filter Element (DE6020) 30" Tall X 9-3/4" wide	CALL
20	DEX7200S	Single Partial Filter Element (DE7220) 36" Tall X 9-3/4" wide	CALL
21	DEX2420GA	Inlet Diffuser	CALL
22	DEX2420T	Element Spacer (DE2420 only)	CALL
23	DEX2400H	Filter Element Locator	CALL
24	SX220Z2	Bulkhead O-ring (2 req)	CALL
25	DEX2420F	Bulkhead Fitting (2 required)	33.00
26	DEX2420ATC	Lower Filter Body w/Clamp Assembly	CALL
27	SP1022CBLK	1 1/2" Drain Plug w/O-ring	CALL
28	DEX2420DCKIT	Strap Kit (optional)	CALL
29	SX200Z4	O-ring (2 required)	CALL
30	SP0740DE	Selecta-Flo Valve 2" SKT	CALL
30	SP0710XR50	Vari-Flo Valve 1 1/2" NPT	CALL
30	SP0715XR50	Vari-Flo Valve 2" NPT	CALL
31	SP0410X502S	Slide Valve 2" SKT	CALL

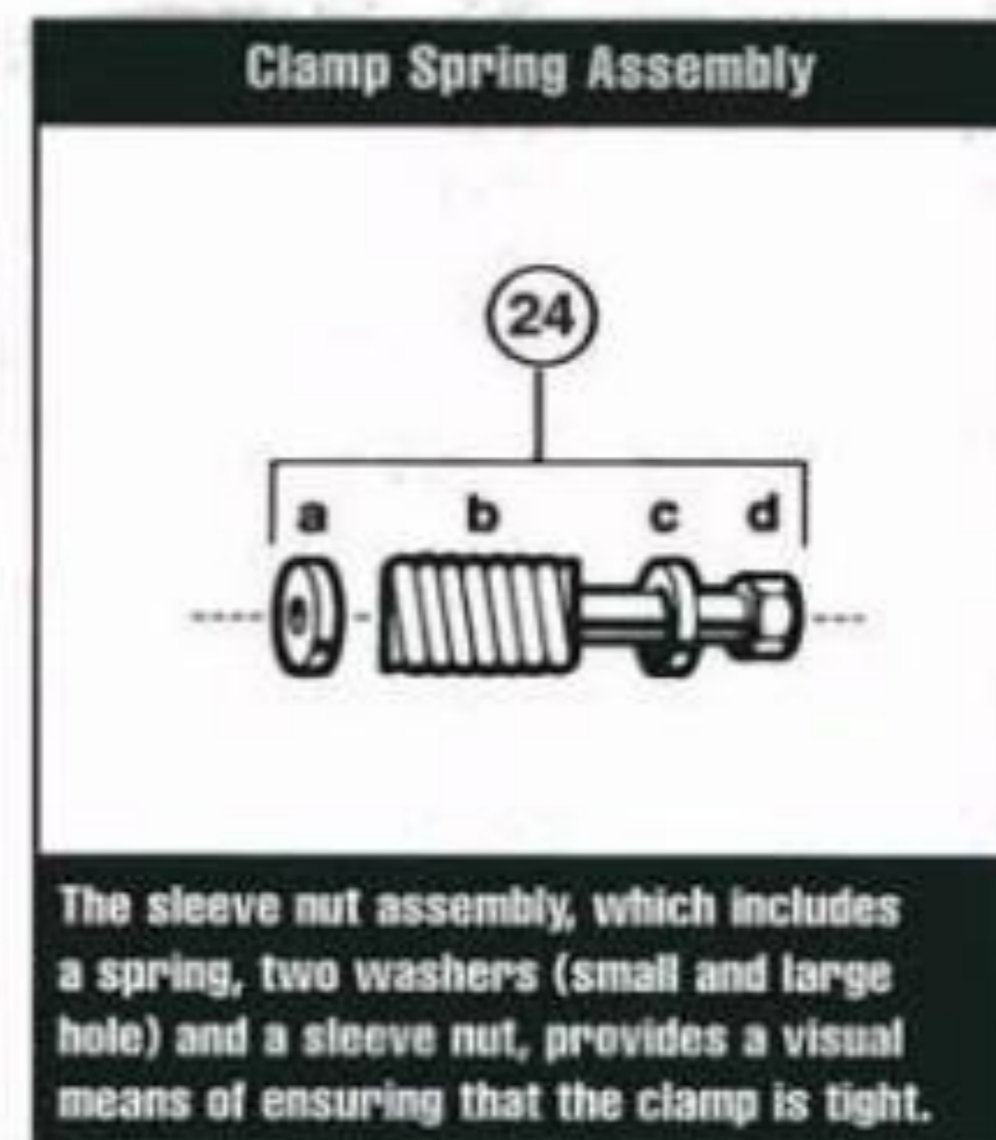
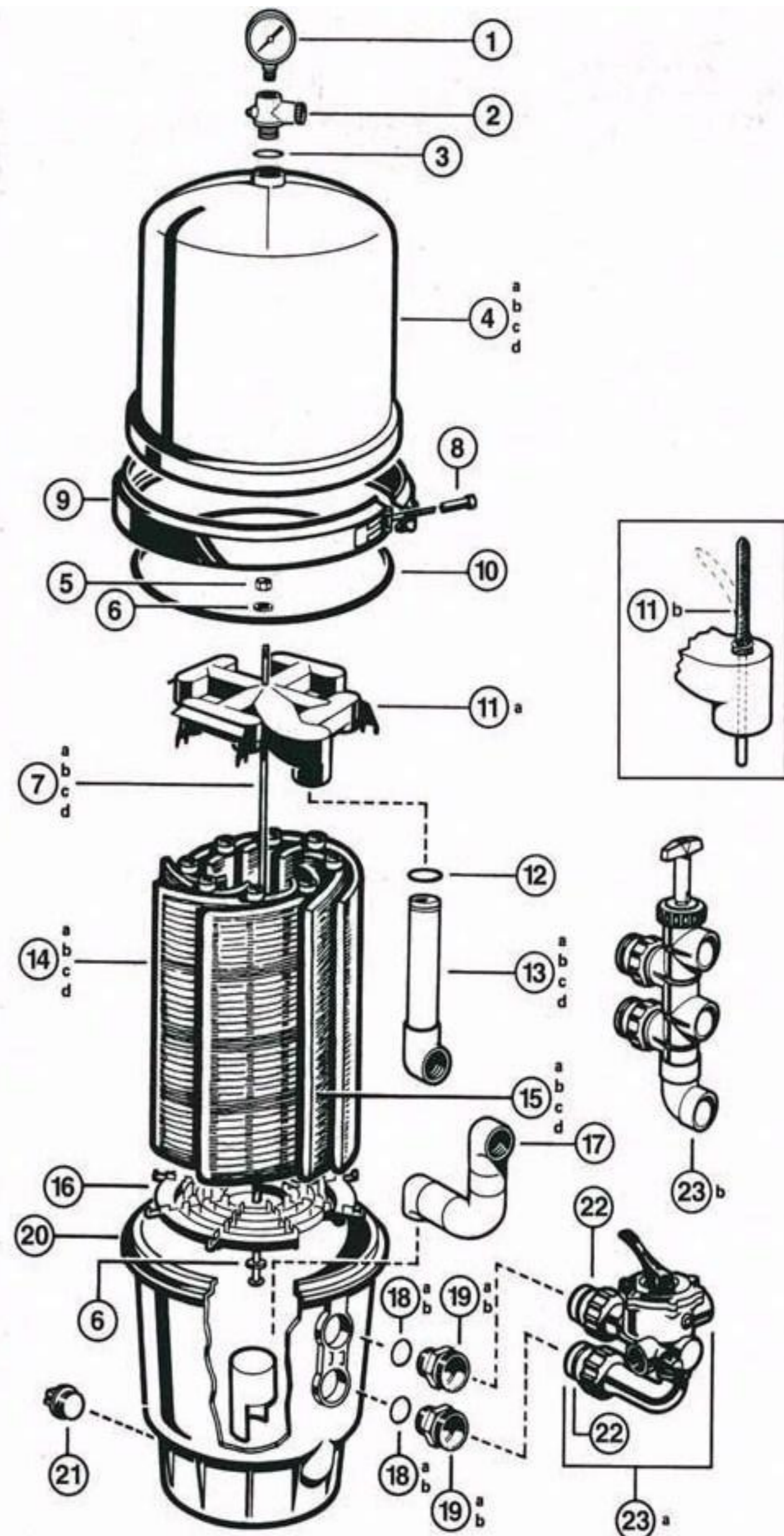
HAYWARD PRO-GRID DE FILTER PARTS





HAYWARD MICRO-CLEAR DE FILTER PARTS

Item #	Part No.	Description	List Price
1	ECX270861	Pressure gauge	CALL
2	DEX2400S	Relief Valve/ Gauge Adapter Assembly	37.18
---	DEX2400Z3A	O-Ring for Relief Valve Stem (Set of 3)	CALL
3	SX200Z5	Relief Valve Assembly O-Ring	CALL
4A	DEX2400BT	Filter Head (DE2400)	CALL
4B	DEX3600BT	Filter Head (DE3600)	CALL
4C	DEX4800BT	Filter Head (DE4800)	CALL
4D	DEX6000BT	Filter Head (DE6000)	CALL
5	ECX176865	Filter Retainer Nut, 5/16" - 18	CALL
6	ECX1109	Filter Washer, 5/16"	CALL
7A	DEX2400R	Filter Retainer Rod (DE2400)	CALL
7B	DEX3600R	Retainer Rod (DE3600)	58.60
7C	DEX4800R	Retainer Rod (DE4800)	CALL
7D	DEX6000R	Retainer Rod (DE6000)	CALL
8	DEX2400JN	Brass Sleeve Nut, 5/16" - 24	CALL
9	DEX2400J	Clamp Assembly w/ Spring Assemblies	CALL
10	DEX2400K	Filter Tank D-Ring - Fits DEX2400K	CALL
11A	DEX2400C	Top Collector Manifold w/ Flex Air Relief	83.00
11B	DEX2400CR	Micro Clear Flex Air Relief Assembly	CALL
12	DEX2400Z5	Outlet Elbow O-Ring - Fits DEX2400Z5	CALL
13A	DEX2400EAB	Outlet elbow assembly (DE2400)*	CALL
13B	DEX3600EAB	Outlet elbow assembly (DE3600)*	CALL
13C	DEX4800EAB	Outlet elbow assembly (DE4800)*	CALL
13D	DEX6000EAB	Outlet elbow assembly (DE6000)*	CALL
14A	DEX2400A	Filter Element - DE2400	CALL
14B	DEX3600A	Filter Element - DE3600	CALL
14C	DEX4800A	Filter Element - DE4800	CALL
14D	DEX6000A	Filter Element - DE6000	CALL
15A	DEX2400S	Filter Element - Short - DE2400	CALL
15B	DEX3600S	Filter Element - Short - DE3600	CALL
15C	DEX4800S	Filter Element - Short - DE4800	CALL
15D	DEX6000S	Filter Element - Short - DE6000	CALL
---	DEX2400DC	Filter Element Cluster Assembly - (DE2400)	CALL
---	DEX3600DC	Filter Element Cluster Assembly - (DE3600)	CALL
---	DEX4800DC	Filter Element Cluster Assembly - (DE4800)	CALL
---	DEX6000DC	Filter Element Cluster Assembly - (DE6000)	CALL
16	DEX2400H	Filter Element Locator	CALL
17	DEX2400GAB	Inlet elbow assy	CALL
18A	SX200Z3	O-ring (1995 and prior)	CALL
18B	SX360Z1	O-ring (1996 -)	9.00
19A	DEX360F	Bulkhead fitting	CALL
19B	DEX360FB	Buttress thread bulkhead fitting	CALL
20	DEX2400A1T	Filter body	CALL
21	SP1022CBLK	1-1/2" drain plug w/O-ring	CALL
22	SX200Z4	O-ring	CALL
23	SP0710XR50	Vari-Flo Valve Assembly 1 1/2" NPT	CALL
23	SP0715XR50	Vari-Flo Valve Assembly - 2" NPT	CALL
23	SP0740DE	Selecta-Flo Valve Assembly - 2" SKT	CALL
23	SP0410X502S	Slide Valve Assembly - 2" SKT	CALL





PENTAIR FNS PLUS D.E.FILTER PARTS

Item #	Part No.	Description	List Price
1	190058	Pressure gauge	CALL
2	98209800	High Flow manual relief valve	37.50
4	71404	Nut wing	CALL
5	59000800	Tie rod, 24 sq. ft. filter	CALL
5	59001500	Tie rod, 36 sq. ft. filter	CALL
5	59002100	Tie rod, 48 sq. ft. filter	CALL
5	59002700	Tie rod, 60 sq. ft. filter	CALL
6	59023700	Manifold, top w/air bleed	CALL
7	190092	Internal ail bleed assembly	31.40
8	98725800	Template, filter	CALL
9	59001100	Grid, full FNS 24, 12 in., 7 req.	CALL
9	59001800	Grid, full FNS 36, 18 in., 7 req.	CALL
9	59002400	Grid, full FNS 48, 24 in., 7 req.	CALL
9	59003000	Grid, full FNS 60, 30 in., 7 req.	CALL
10	59001000	Grid, partial FNS 24, 12 in., 1 req.	CALL
10	59001700	Grid, partial FNS 36, 18 in., 1 req.	CALL
10	59002300	Grid, partial FNS 48, 24 in., 1 req.	CALL
10	59002900	Grid, partial FNS 60, 30 in., 1 req.	CALL
11	59023800	Assembly, element grid, complete, 24 sq. ft. filter	CALL
11	59023500	Assembly, element grid, complete, 36 sq. ft. filter	CALL
11	59023400	Assembly, element grid, complete, 48 sq. ft. filter	CALL
11	59023300	Assembly, element grid, complete, 60 sq. ft. filter	CALL
12	98211400	Nut ,1/4-20, plated brass	CALL
13	59000500	Spider, grid locator	CALL
14	58001000	Nut, lock, hex, nylon	CALL
15	39010200	O-ring tank clamp, .470 O.D. (O-497)	25.90
16	190003	Clamp kit	304.00
17	53006300	Washer, .325 i.d. for filter clamp	CALL
18	53108900	Spring/barrel nut assembly	53.36
19	190034	Assembly, standpipe, outlet, 4-3/8" tall	CALL
19	190035	Assembly, standpipe, outlet, 10-3/8" tall	73.20
19	190036	Assembly, standpipe, outlet, 16-3/8" tall	CALL
19	190037	Assembly, standpipe, outlet, 22-3/8" tall	CALL

Item #	Part No.	Description	List Price
20	89006900	O-ring, bulkhead	CALL
21	271096	Bulkhead union kit	57.00
21	270100	Adaptor kit 2 in. Black	CALL
22	190043	Assembly, pipe, inlet, includes bulkhead	104.00
23	51005000	O-ring for drain plug ²	CALL
23	191474	O-ring for drain plug ³	CALL
24	8620200	Plug, 1-1/2 in. drain with O-ring	25.80
24	190030	Cap plug ³	CALL
25	170016	Tank bottom, assembly, 36 sq. ft. filter	CALL
25	170017	Tank bottom, assembly, 48 sq. ft. filter	CALL
25	170018	Tank bottom, assembly, 60 sq. ft. filter	CALL
26	170019	Tank lid, 24 sq. ft. filter	CALL
26	170020	Tank lid, 36 sq. ft. filter	CALL
26	170021	Tank lid, 48 sq. ft. filter	CALL
26	170022	Tank lid, 60 sq. ft. filter	CALL
27	59000600	O-ring, bulkhead	CALL
28	192320	O-ring 2-137 Buna N70SH ¹	CALL
28	86006900	O-ring, bulkhead ²	CALL
29	190141	Bulkhead, 2 in. with O-ring ²	90.44
30	195339	SS back-up ring ⁴	CALL

1: Used on filters manufactured before 10/04

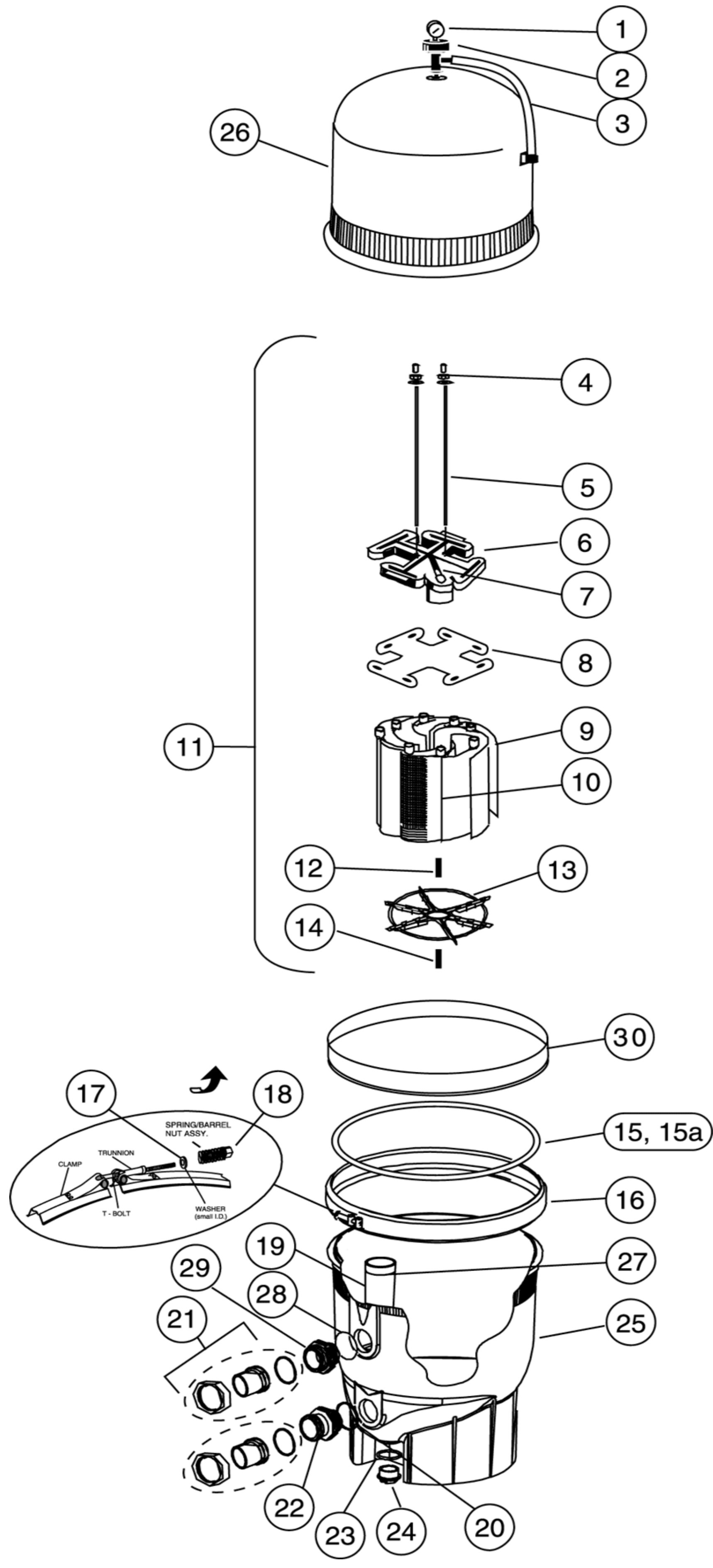
2: Used on filters manufactured after 10/04

3: Used on filters manufactured after 5/21/05

4: Used on filters manufactured after 2/03



PENTAIR NAUTILUS FNS PLUS D.E.FILTER PARTS



83



PENTAIR NS PLUS D.E.FILTER PARTS

Item #	Part No.	Description	List Price
1	261003	Automatic air relief assembly	CALL
2	274494	O-ring	CALL
3	273502	Spacer, top, black	CALL
4	273505	Spacer	CALL
5	154412	Bulkhead nut	11.40
6	188528	Shell top NS36 ⁴	CALL
6	188529	Shell top NS48	CALL
6	188530	Shell top NS60 ⁴	CALL
6	188531	Shell top NS72	CALL
7	192193	Manifold, grid, complete	CALL
9	59001000	Grid, partial NS24 12 in., 1 req.	CALL
9	59001700	Grid, partial NS36 18 in., 1 req.	CALL
9	59002300	Grid, partial NS48 24 in., 1 req.	CALL
9	59002900	Grid, partial NS60 30 in., 1 req.	CALL
10	59001100	Grid, full NS24 12 in., 7 req.	CALL
10	59001800	Grid, full NS36 18 in., 7 req.	CALL
10	59002400	Grid, full NS48 24 in., 7 req.	CALL
10	59003000	Grid, full NS60 30 in., 7 req.	CALL
10	59003600	Grid, full NS72 36 in., 7 req.	CALL
11	192324	Grid assembly, complete NS24 ¹	CALL
11	192325	Grid assembly, complete NS36 ¹	CALL
11	192326	Grid assembly, complete NS48 ¹	CALL
11	192327	Grid assembly, complete NS60 ¹	CALL
11	195060	Grid assembly, complete NS72 ¹	CALL
11	192340	Grid pack w/O-ring NS24 ²	CALL
11	192341	Grid pack w/O-ring NS36 ²	CALL
11	192342	Grid pack w/O-ring NS48 ²	CALL
11	192343	Grid pack w/O-ring NS60 ²	CALL
11	192344	Grid pack w/O-ring NS72 ²	CALL
12	192323	O-ring	CALL
13	194981	Piping assembly, upper NS24	CALL
13	194982	Piping assembly, upper NS36	CALL
13	194983	Piping assembly, upper NS48	CALL
13	194984	Piping assembly, upper NS60	CALL
13	194985	Piping assembly, upper NS72	CALL

Item #	Part No.	Description	List Price
14	152127	O-ring, 18 in. dia. tank	CALL
15	192183	Rod, 5/16 in. x 21-1/2 in. manifold retainer NS36, 2 req.	CALL
15	192184	Rod, 5/16 in. x 27-1/2 in. manifold retainer NS48, 2 req.	CALL
15	192185	Rod, 5/16 in. x 33-1/2 in. manifold retainer NS60, 2 req.	92.28
15	195002	Rod, 5/16 in. x 39-1/2 in. manifold retainer NS72, 2 req.	CALL
16	188528	Bottom, shell NS36, NSP tank kit	CALL
16	188529	Bottom, shell NS48, NSP tank kit	CALL
16	188530	Bottom, shell NS60, ⁴ NSP tank kit	CALL
16	188531	Bottom, shell NS72, NSP tank kit	CALL
18	194893	Spacer, 2in. external	14.20
19	86006900	O-ring, bulkhead	CALL
19	190141	Bulkhead w/O-ring	90.44
20	194801	Bulkhead, 2 in.	97.00
21	154722	Foot, NSP/PF	CALL
22	195829	2 in. O-ring style plug	9.00
23	194913	Piping assembly lower w/drain	80.74
24	188527	Shell, bottom NS24, NSP tank kit	CALL
24	188528	Shell, bottom NS36, NSP tank kit	CALL
24	188529	Shell, bottom NS48, NSP tank kit	CALL
24	188530	Shell, bottom NS60, ⁴ NSP tank kit	CALL
24	188531	Shell, bottom NS72, NSP tank kit	CALL
25	154747	Spacer, 2.8 in. dia. x 1/4 in. PVC	CALL
26	192013	Nut, 5/16 in.	CALL
27	72173	Washer, flat 5/16 in. SS flat	CALL
28	192194	Retainer baffle, grid	57.34
	194988	Spring, NS 2 req.	CALL
32	53004800	Washer, .890 o.d., .430 i.d., .164, 2 req.	CALL
33	194989	Nut, machined 2 req.	CALL
34	172855	Strainer, air vent 3/4 in. ³	21.90
35	273512	Air bleeder	15.00
36	273513	O-ring bleeder screw	CALL
38	190059	Pressure gauge	CALL
39	274494	O-ring	CALL
	181011	Band assembly, complete ⁵	272.00
	53006300	Washer, .890 o.d., .320 i.d., .164, 2 req.	CALL

1: Complete grid assembly consists of items 7, 9, 10, 15, 27, 28, and 35 in correct

2: Grid pack consists of items 9, 10, and 12 in correct quantities as shown

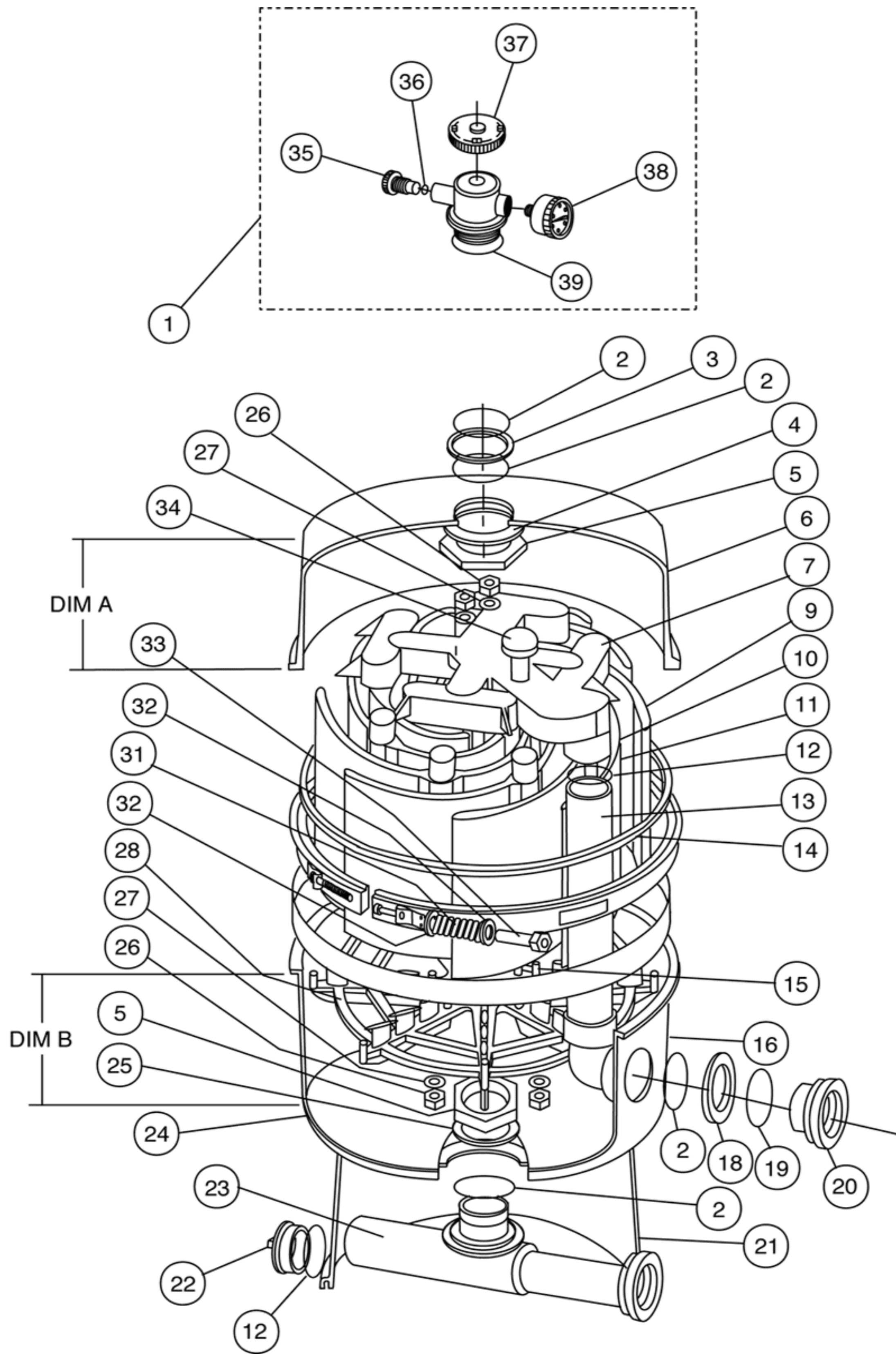
3: Used on filters manufactured after Dec. 1, 1991

4: Filters manufactured before December 16, 1991 utilize a different tank top and bottom that is not interchangeable w/current units. There are no replacement Part Numbers for filters manufactured before December 16, 1991.

5: Filters manufactured before April 1, 1992 contain a different clamp band assembly. Replacement clamp band components are no longer available for these units. Replace old obsolete non-spring design clamp w/new spring design clamp band to upgrade your filter if any components are damaged. Spring design clamp bands do not require use of a torque wrench and simplify installation of the clamp. Do not attempt to interchange components between the different clamp band designs.



PENTAIR NAUTILUS NS PLUS D.E.FILTER PARTS





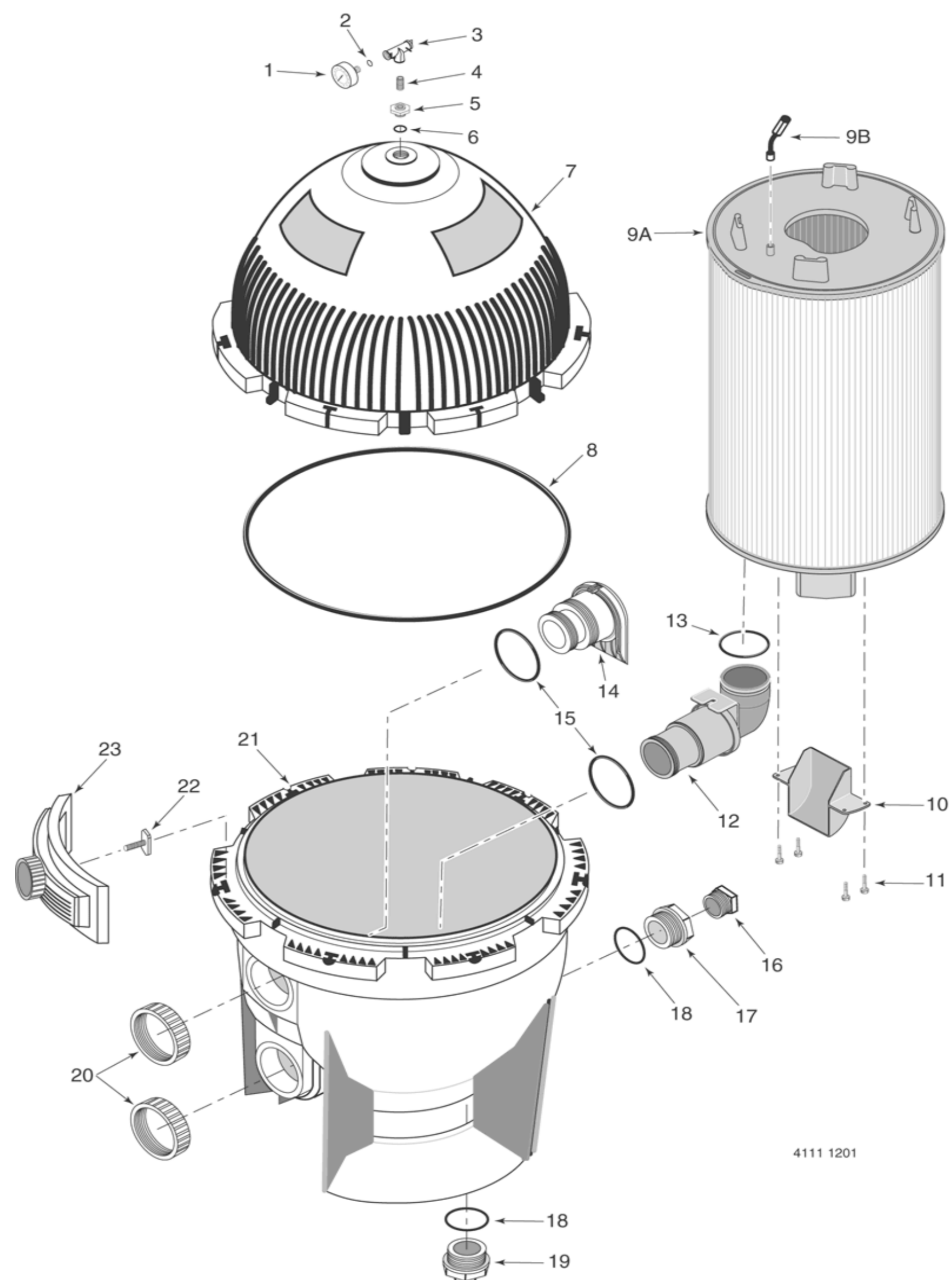
STA-RITE SYSTEM III SMD SERIES FILTER PARTS

Item #	Part No.	Description	List Price
1	15060-0000T	Pressure Gauge 2 in.	CALL
3	WC212-120P	Air Release Valve	CALL
4	35202-0959	Nipple	CALL
5	24900-0504	Adapter Bushing	19.54
6	35505-1423	O-Ring	CALL
7	24851-9000	Upper Tank Half Kit ¹	CALL
8	24850-0008	Tank O-Ring	CALL
9A	25023-0160S	Replacement Module	492.80
9A	25023-0172S	Replacement Module	859.02
9B	24800-0120	Air Bleed Assembly ²	CALL
10	23910-0013S	Baffle Kit (with Screws) ²	CALL
11	37027-7028	Baffle Screws ²	CALL
12	23910-0100S	Elbow and Bulkhead Assembly ³	CALL
13	35505-7438	O-Ring	11.68
14	23910-0101S	Deflector and Bulkhead Assembly	CALL
15	35505-1425	O-Ring	CALL
16	27001-0022	1-1/2 in. Plug	CALL
17	24900-0509	Adapter fitting	CALL
18	35505-1424	O-Ring	CALL
19	24900-0503	Sand Removal	CALL
20	24752-0050	Bulkhead Retaining Nut	CALL
21	24850-0102S	Lower Tank Half	932.00
22	24850-0010	Clamp Bolt	CALL
23	24850-0200	Clamp Assembly	135.40
	23910-1100S	System3 Modular DE Conversion Kit (Includes Key #s 12, 13, 14, 15, 16)	CALL

1: Includes all decals and labels.

2: Included with Key No. 9A Replacement Module.

3: Includes O-Ring (Key No. 13).

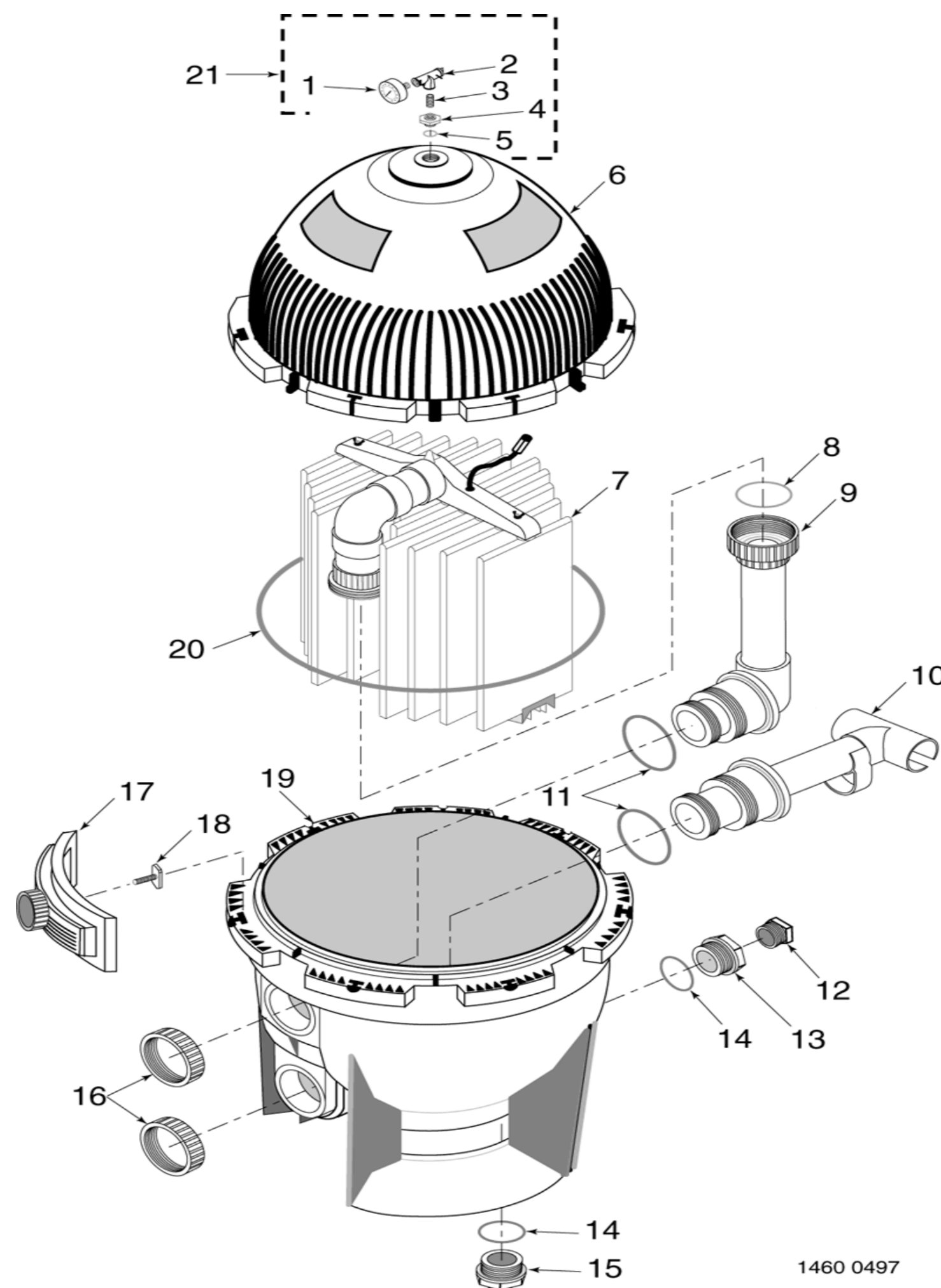




STA-RITE SYSTEM III SD SERIES FILTER PARTS

Item #	Part No.	Description	List Price
1	15060-0000T	Pressure Gauge 2 in.	CALL
2	WC212-120P	Air Release Valve	CALL
3	35202-0959	Nipple	CALL
4	24900-0504	Adapter Bushing	19.54
5	35505-1423	O-Ring	CALL
6	24851-9000	Upper Tank Half Kit S7D75	CALL
6	24851-9001	Upper Tank Half Kit S8D110	CALL
7	23900-1220S	Filter Assembly S7D75	CALL
7	23900-1221S	Filter Assembly S8D110	CALL
8	U9-362	Union O-Ring	CALL
9	23911-0102	Outlet Assembly	CALL
10	23911-0100	Inlet Assembly, S7D75	CALL
10	23911-0101	Inlet Assembly, S8D110	CALL
11	35505-1425	O-Ring	CALL
12	27001-0022	1-1/2 in. Plug	CALL
13	24900-0509	Adapter fitting	CALL
14	35505-1424	O-Ring	CALL
15	24900-0503	Drain Plug	CALL
16	24752-0050	Bulkhead Retaining Nut	CALL
17	24850-0200	Clamp Assembly ¹	125.40
18	24850-0010	Clamp Bolt ¹	CALL
19	24850-0102S	Lower Tank Half S7D75	CALL
19	24851-0103S	Lower Tank Half, S8D110	CALL
20	24850-0008	Tank O-Ring S7D75	CALL
20	24850-0009	Cord Ring S8D110	CALL
21	24850-0105	Valve & Gauge Assembly (Includes # 8, 9, 11, 16)	CALL
	24850-0016	Clamp Retaining Ring	CALL
	U212-252DS	Brass Deluxe Air Bleed (optional)	CALL
	25021-1021	System3 DE Conversion Kit (Includes # 8, 9, 10, 11, 16) - S8D75	CALL
	25021-1025	System3 DE Conversion Kit (Includes # 8, 9, 10, 11, 16) - S8D110	CALL

1: Model S7D75 uses seven (7) clamps and bolts; Model S8D110 uses eight (8).



1460 0497



PUREX SM AND SMBW 2000 FILTER PARTS

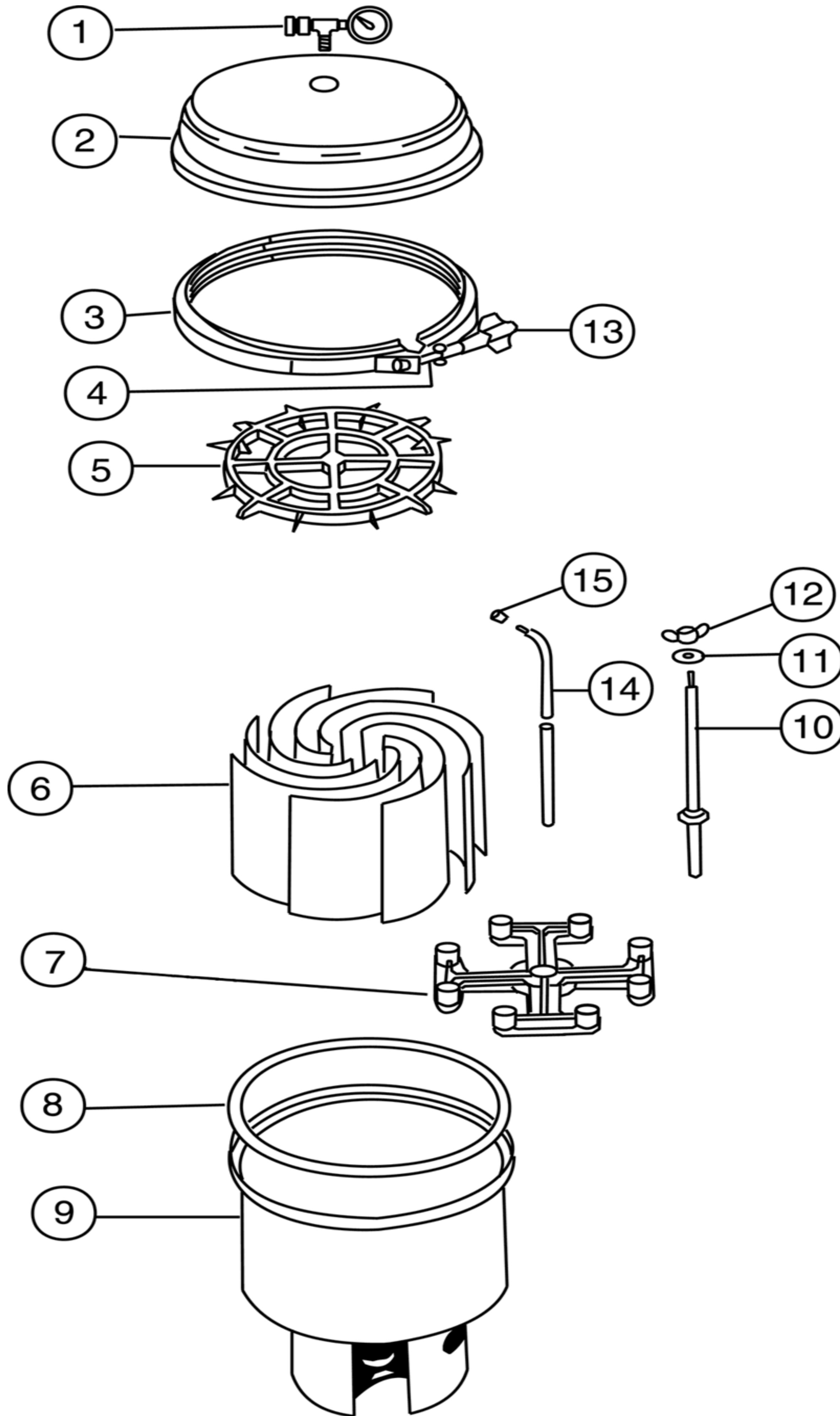
Item #	Part No.	Description	List Price
1	73025	Accessory bag 8200.8 includes:	CALL
	190059	Pressure gauge	CALL
	71982	Tee 1/4 in. brass	CALL
	71389	Nipple brass 1/4 in.	CALL
	10126	Lid opener tool	CALL
	75207	Valve air release 1/4 in.	11.90
B. Pk	75210	Valve air release 1/4 in., 100 ct. bulk	CALL
2	188603	Lid w/bushing, 2000 includes:	CALL
	70548	Bushing 3/4 in. hex x 7/8 in. thread	CALL
	70952	Gasket, lid air relief fitting	CALL
	71407	Nut, 5/8-18-3/4 hex x 17-1/6	CALL
3	72898	Clamp ring 2000 knob style inclds. No. 4 & No. 13	CALL
4	70428	T-Bolt	CALL
5	71019	Holding wheel 4024,4036, 4048	38.80
6	74922	Element 4024 12 in., 8 req.	CALL
6	74923	Element 4036 18 in., 8 req.	CALL
6	74924	Element 4048 24 in., 8 req.	CALL
6	74925	Element 4060 30in., 8 req.	CALL
6	74926	Element 2072, 8 req. /1054 36 in., 6 req.	CALL
7	73270	Manifold 2000 series 8 holes	49.70
8	71442	O-ring	CALL
9	73436	Tank SM 2024/1018 less casting	CALL
9	73438	Tank SM 2048/1036 less casting	CALL
9	73439	Tank SM 2060/1045 less casting	CALL
9	73440	Tank SM 2072/1054 less casting	CALL

Item #	Part No.	Description	List Price
9	73392	Tank SM 2048/1036 w/collector 2 in. thd.	CALL
9	73393	Tank SM 2060/1045 w/collector 2 in. thd.	CALL
9	73442	Tank SMBW 2036/1027 less casting, 25 lbs.	CALL
9	73443	Tank SMBW 2048/1036 less casting, 30 lbs.	CALL
9	73444	Tank SMBW 2060/1045 less casting, 34 lbs.	CALL
9	73445	Tank SMBW 2072/1054 less casting, 38 lbs.	CALL
9	73451	Tank SMBW 2048/1036, 2 in. thd. w/Noryl rotor	CALL
9	73452	Tank SMBW 2060/1045, 2 in. thd. w/Noryl rotor	CALL
9	73453	Tank SMBW 2072/1054, 2 in. thd. w/Noryl rotor	CALL
10	188598	Center rod 2036 SM 27 in., red ³	CALL
10	188599	Center rod 2048 SM 33 in., red ³	CALL
10	188600	Center rod 2060 SM 39 in., red ³	CALL
10	72870	Center rod SM/SMBW 4024 21 in. ⁴	CALL
10	72869	Center rod staked bw 1027/2036, Noryl rotor 27 in., white ⁴	CALL
10	72868	Center rod staked bw 1036/2048, Noryl rotor 33 in., white ⁴	CALL
10	72867	Center rod staked bw 1045/2060, Noryl rotor 39 in., white ⁴	CALL
10	72866	Center rod staked bw 1054/2072, Noryl rotor 45 in., white ⁴	CALL
10	73661	Center rod staked bw 1036/2048, brass rotor 33 in., blue	CALL
10	73660	Center rod staked bw 1045/2060, brass rotor 39 in., blue	CALL
11	72173	Washer, flat 5/16 in. SS flat 5/16 i.d. x o.d. SS	CALL
12	71404	Nut wing	CALL
13	71136	Knob, plastic ¹	CALL
13	76033	Knob, plastic ²	CALL
14	75279	Vent tube 46 in.	CALL
15	73691	Vent tube screen cap	CALL

1: Used on filters manufactured after 1998.
 2: Used on filters manufactured before 1998.
 3: SMBW filters manufactured after 10-1-99 & all SM models.
 4: SMBW filters manufactured before 9-30-99.
 5: Used on filters manufactured before 1-99.



PUREX SM AND SMBW 2000 FILTER PARTS

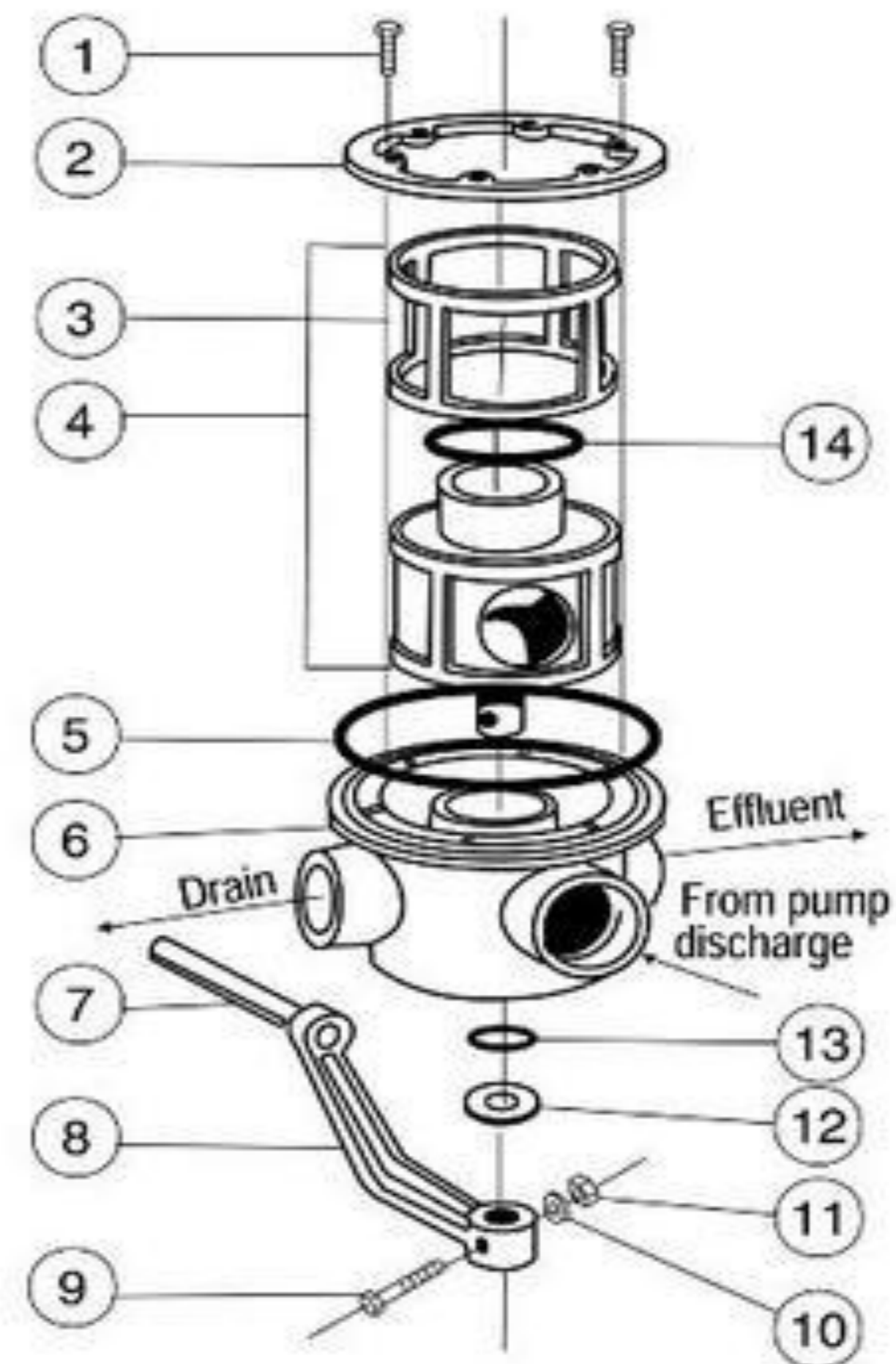
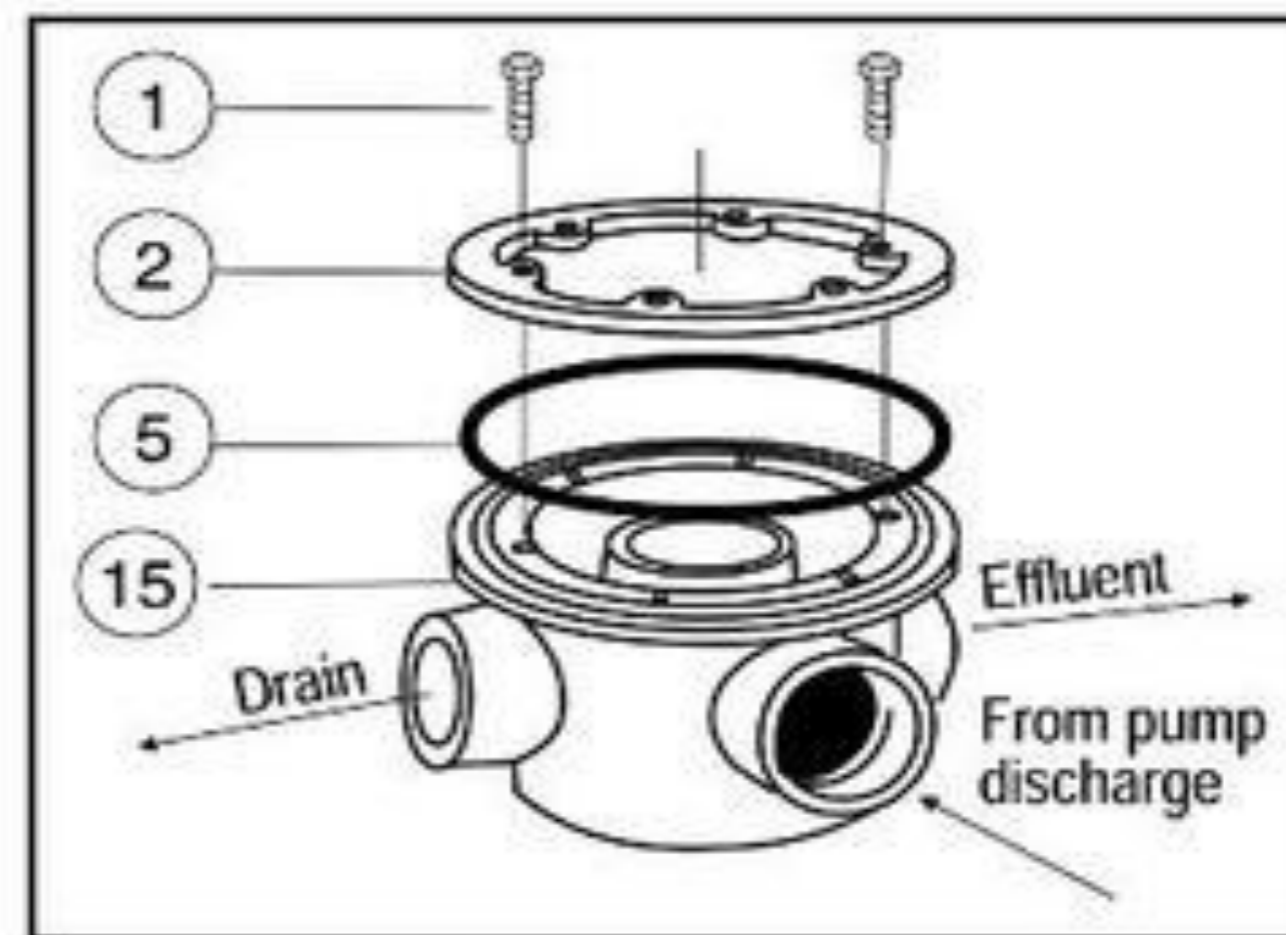




PUREX SM AND SMBW 2000 VALVE PARTS

Item #	Part No.	Description	List Price
	73462	Valve BW with Noryl rotor, complete	CALL
1	74927	Screw, 1/4-20 x 5/8 in. HH SS, 6 req.	CALL
2	70731	Compression ring	CALL
3	71720	Seal BW valve rotor tapered	CALL
4	73370	Rotor valve Noryl w/seal, includes No. 11 & 13	141.20
5	71427	O-ring 2-259 valve, 3 port	CALL
6	72112	Valve body, brass mach., 2 in. thread	CALL
7	190026	Handle SMBW rotor SS	CALL
8	70971	Handle extension BW, brass	CALL
9	70979	Handle stud bolt SS, 1/4-20 x 1-3/4 in.	CALL
10	72172	Washer Split Lock 1/4" 18-8 s/s - {qty. 4} Lock 1/4in. S/S	CALL
11	71406	Nut, 1/4, 20 hex. hd. SS, 2 req.	CALL
12	72166	Washer BW Spacer	CALL
13	JV18	O-ring Buna-N 2-113 rotor shaft	CALL
14	71426	O-ring 2-228 collar & rotor	CALL
15	72901	Collector brass 3 port 2 in. SM series threaded	CALL

Did you know that...if you order a tapered rotor seal and attempt to install it into a straight sided casting, the seal will be cut. If you install a straight seal in a tapered casting, the valve will leak. The tapered seal can be identified by a mark on each of the vertical legs signifying the top of the seal. Since the straight seals are not directional, they have no marks on the vertical legs. The tapered seal P/N is 071720. The straight seal P/N is 071719, which we no longer manufacture. Both 2000/4000 series filters with backwash now use the same Noryl rotor and the tapered seal. The product number for the rotor and seal assembly P/N is 073370. Tapered castings have a letter "T" stamped into the underside of the middle pump port. Don't confuse this with a letter "T" in felt pen, which means the assembly has been pressure tested.



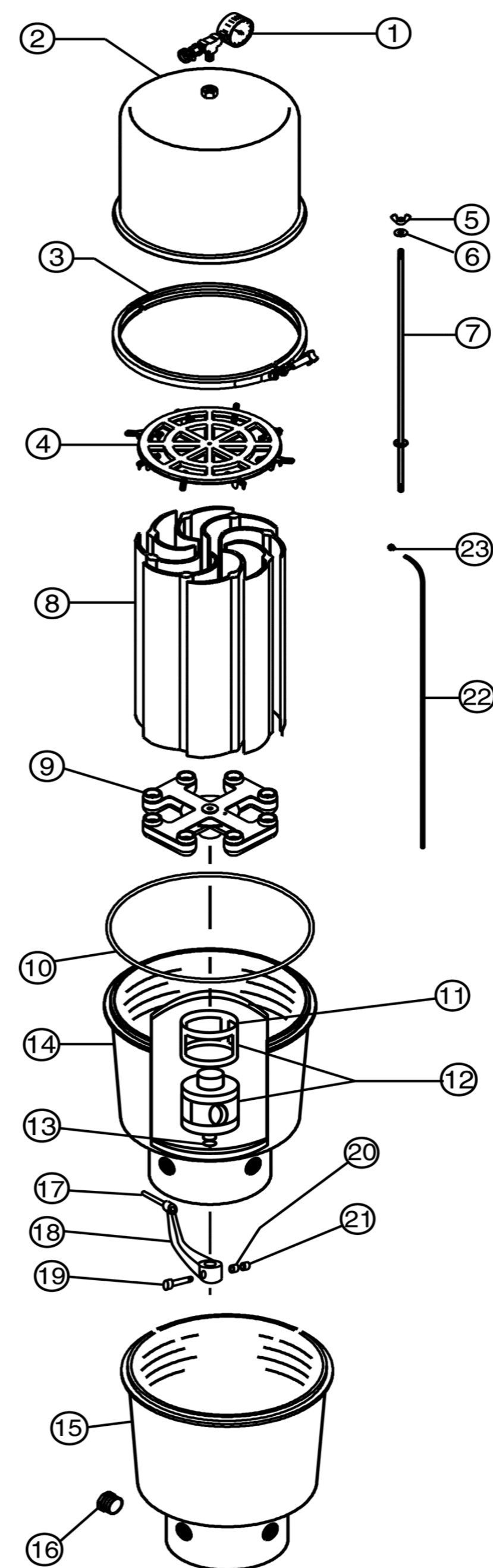


PUREX SM AND SMBW 4000 FILTER PARTS

Item #	Part No.	Description	List Price
1	73027	Complete gauge assembly includes ³	CALL
	98209800	High Flow manual relief valve ⁴	37.50
	190059	Pressure gauge	CALL
	71982	Tee 1/4 in. brass	CALL
	71390	Nipple, plastic, 1/4 in.	CALL
	75207	Valve air release 1/4 in.	11.90
	273550	Air relief assembly	95.10
	154412	Bulkhead nut	11.40
2	197134	Lid SM/SMBW 4024 replacement	CALL
2	197135	Lid SM/SMBW 4036 replacement	CALL
2	197136	Lid SM/SMBW 4048 replacement	CALL
2	197137	Lid SM/SMBW 4060 replacement	CALL
3	197020	Clamp ring assembly	CALL
3	76033	Knob, plastic ²	CALL
3	71136	Knob, plastic ¹	CALL
4	71019	Holding wheel 4024,4036, 4048	38.40
4	197120	Holding wheel 4060	CALL
5	71404	Nut, wing	CALL
6	72173	Washer, flat 5/16 in. SS flat	CALL
7	72870	Center rod SM/SMBW 4024 21 in.	CALL
7	72869	Center rod staked bw 1027/2036, Noryl rotor 27 in., white	CALL
7	72880	Center rod SM/SMBW 4048 33 in.	CALL
7	72867	Center rod staked bw 1045/2060, Noryl rotor 39 in., white	CALL
8	74922	Element 4024 12 in., 8 req.	CALL
8	74923	Element 4036 18 in., 8 req.	CALL
8	74924	Element 4048 24 in., 8 req.	CALL
8	74925	Element 4060 30in., 8 req.	CALL
9	73270	Manifold 2000 series 8 holes	49.70
10	71439	O-ring, 4000 series lid	CALL
11	71720	Seal BW valve rotor tapered	CALL
12	73370	Rotor valve Noryl w/seal, includes No. 11 & 13	141.20

1: Used on filters manufactured before 1998
 2: Used on filters manufactured after 1998
 3: Used on filters manufactured before 1999
 4: Used on filters manufactured after 1999

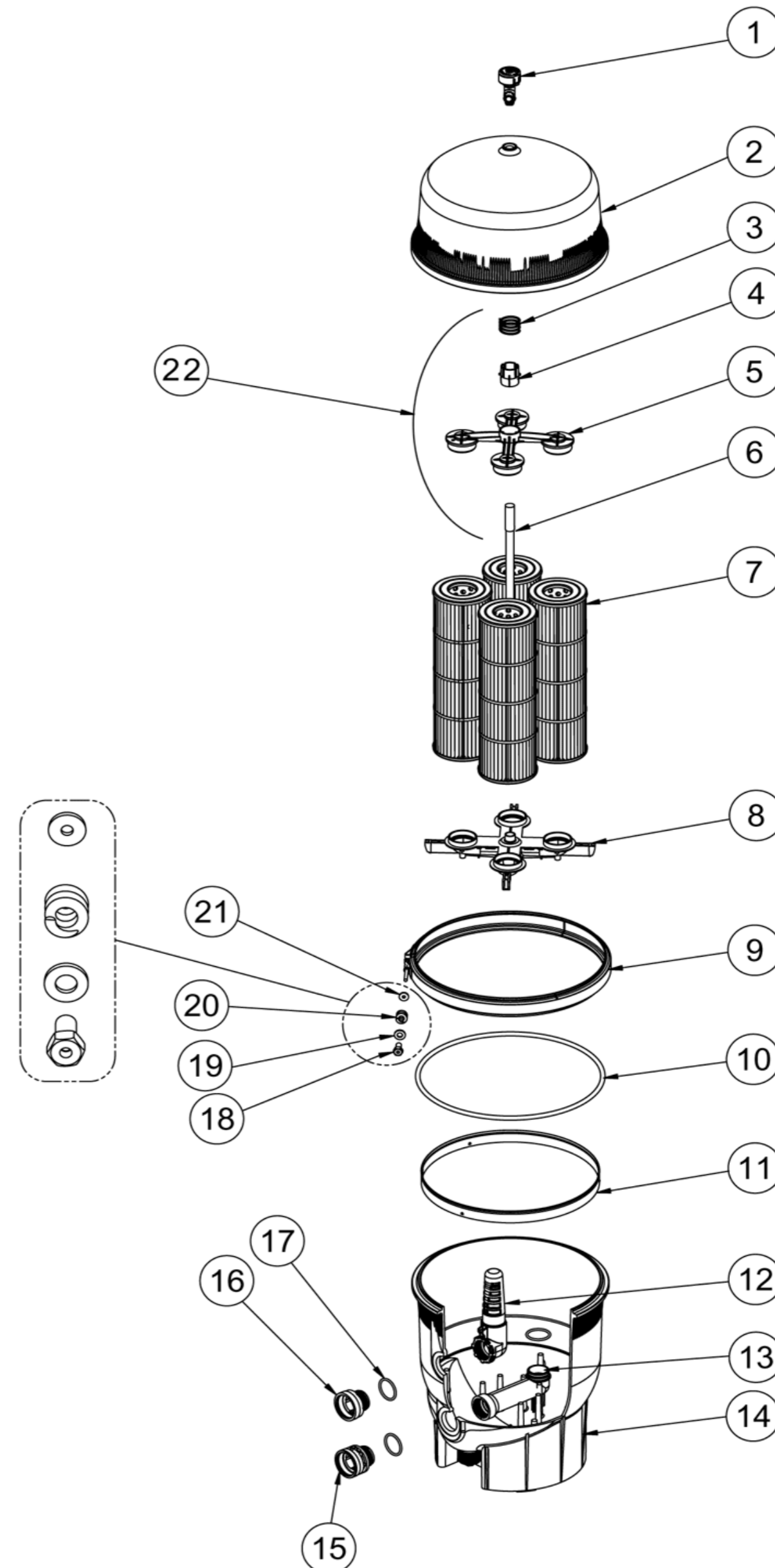
Item #	Part No.	Description	List Price
13	JV18	O-ring	CALL
14	197130	Tank bottom, SMBW	CALL
15	197126	Tank bottom, SM	CALL
16	71559	Plug PVC 2 in., SM only	CALL
17	190026	Handle SMBW rotor SS	CALL
18	70971	Handle extension BW, brass	CALL
19	70979	Handle stud bolt SS, 1/4-20 x 1-3/4 in.	CALL
20	72172	Washer Split Lock 1/4" 18-8 s/s -{qty. 4} Lock 1/4 in. SS, 2 req.	CALL
21	71406	Nut, 1/4, 20 hex. hd. SS, 2 req.	CALL
22	75279	Vent tube 46 in.	CALL
23	73691	Vent tube screen cap	CALL
	10126	Lid opener tool	CALL





PENTAIR QUAD D.E.FILTER PARTS

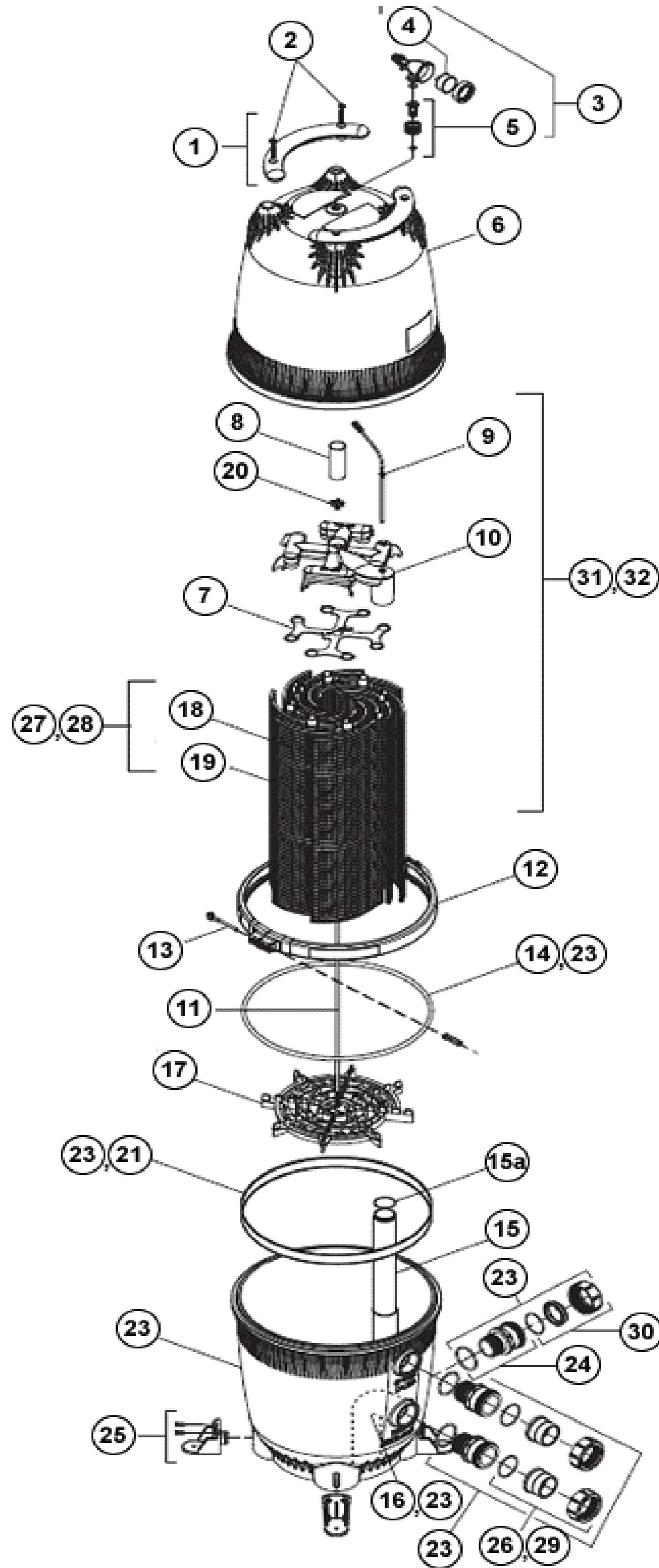
Item #	Part No.	Description	List Price
1	98220100	Assy., Manual air relief valve	CALL
2	170024	Tank, lid assembly, 320 sq. ft.	CALL
2	178581	Tank, lid assembly, 420 sq. ft.	371.66
2	178582	Tank, lid assembly, 520 sq. ft.	CALL
3	178616	Spring, compression	CALL
4	170026	Manifold top with short Adapter	CALL
6	170029	Air bleed tube assembly	46.98
6	170028	Air bleed tube assembly	CALL
6	178583	Air bleed tube assembly	CALL
7	178656	Cartridge, Quad 100	170.00
7	178655	Cartridge, Quad 80	CALL
7	178654	Cartridge, Quad 60	117.88
8	170059	Manifold assy. Bottom	CALL
9	195351	Band assembly, complete	345.38
10	39010200	O-ring	CALL
11	195339	SS back-up ring	CALL
12	190039	Baffle, bulkhead assembly	97.00
13	170036	Pipe outlet - RPM fltr	CALL
14	178578	Tank, bottom assembly	552.46
15	178575	Bulkhead bottom	CALL
16	194801	Bulkhead, 2-3/8, 8 buttress thread	97.00
17	86006900	O-ring, bulkhead	CALL
18	194997	Nut, machined, 2 req. ²	CALL
19	195611	Washer FNS/INS lg. i.d., 2 req.	CALL
20	195612	Spring FNS/INS, 2 req.	CALL
21	195610	Washer, sm. i.d.	CALL
22	170026	Manifold top with short Adapter Top Manifold Assy	CALL
	270100	Adaptor kit Adapter Kit - 2" x 2-1/2"	CALL
	195981	Backwash assembly., Quad DE60	CALL
	195982	Backwash assembly., Quad DE80	CALL
	195983	Backwash assembly., Quad DE100	CALL
	190030	Cap plug	CALL
	354571	O-ring 200-830 Quik Conn	CALL





JANDY DEV SERIES D.E. FILTER PARTS

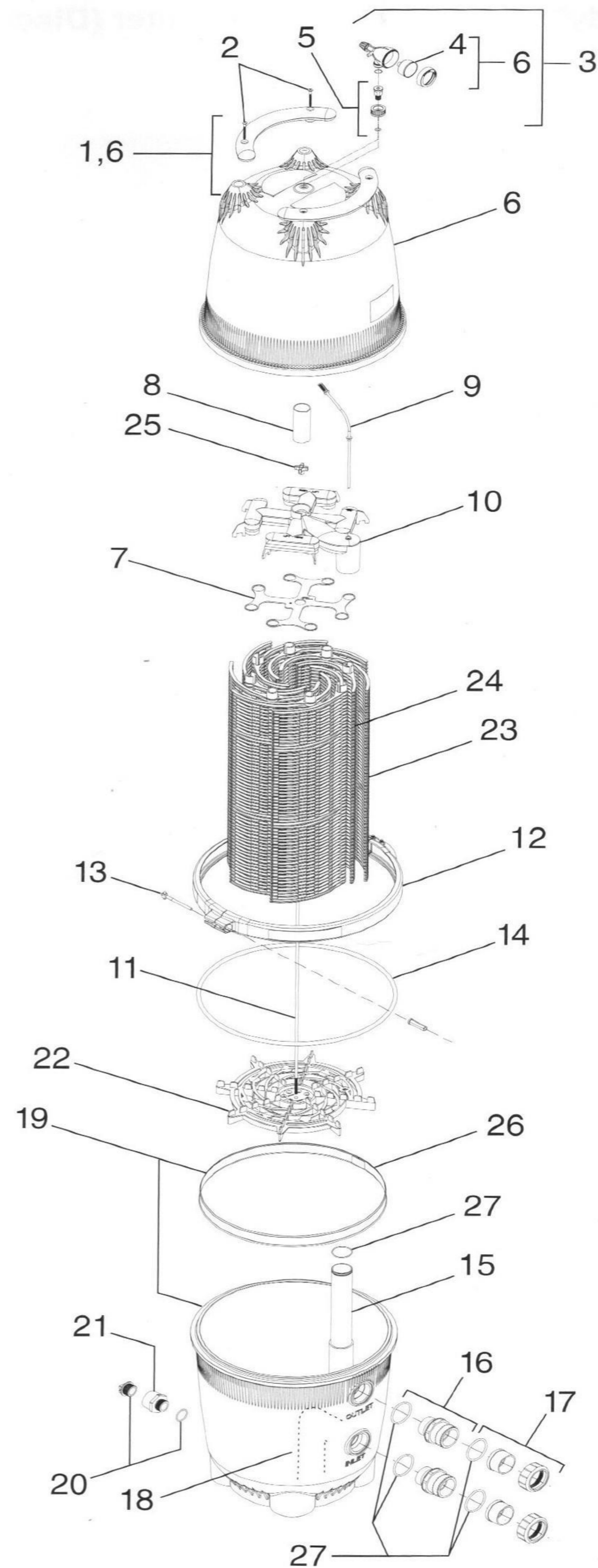
Item #	Part No.	Description	List Price
1	R0357100	Handle assembly w/hardware (2)	CALL
2	R0359900	Handle hardware (4)	CALL
3	R0357200	Gauge/Air release assembly	79.00
4	R0359600	Pressure gauge	CALL
5	R0552000	Tank adapter w/O-ring	29.12
6	R0357300	Tank lid DEV60	454.00
6	R0554700	Tank lid DEV48	CALL
7	R0359700	Top spacer for DE grids	CALL
8	R0405100	Spacer, DEV 48/60	CALL
9	R0358700	Breather tube assembly	19.78
10	R0359000	Manifold assembly	96.00
11	R0359300	Tie rod w/knob and lock nuts DEV60	CALL
11	R0554800	Tie rod w/knob and lock nuts DEV48	CALL
12	R0357400	Tank clamp ring w/knob assembly	490.58
13	R0357500	Clamp ring assy w/threaded rod and retainer	92.00
14	R0357800	Tank O-ring	52.00
15	R0555100	Outlet tube assy w/threaded rod * retainer	CALL
15A	R0358000	Outlet tube O-ring	CALL
16	R0358400	Inlet elbow w/O-ring	CALL
17	R0359500	DE grid support	CALL
18	R0359100	DE grid, full DEV60 (7 req)	CALL
18	R0555000	DE grid, full DEV48 (7 req)	CALL
19	R0359200	DE grid, partial DEV60 (1)	CALL
19	R0554900	DE grid, partial DEV48 (1)	CALL
20	R0359400	Tie rod knob	CALL
21	R0405200	Retaining ring	112.00
	R0358000	O-ring replacement kit	CALL
23	R0466500	Bottom assembly, universal unions	630.00
24	R0465600	Bulkhead assembly w/O-rings	CALL
25	R0465500	Anchor bracket kit (4)	CALL
26	R0461800	Universal half unions (2) and drain plug assy	114.04
27	R0442600	Complete set grids DEV60	CALL
28	R0442700	Complete set grids DEV48	CALL
29	R0522900	Universal half union (1)	CALL
30	R0523000	Drain cap assembly	CALL
31	R0501300	Complete grid assembly DEV48 (includes nos. 7-1, 17-20)	CALL
32	R0501400	Complete grid assembly DEV60 (includes nos. 7-1, 17-20)	CALL





JANDY DEL SERIES D.E. FILTER PARTS

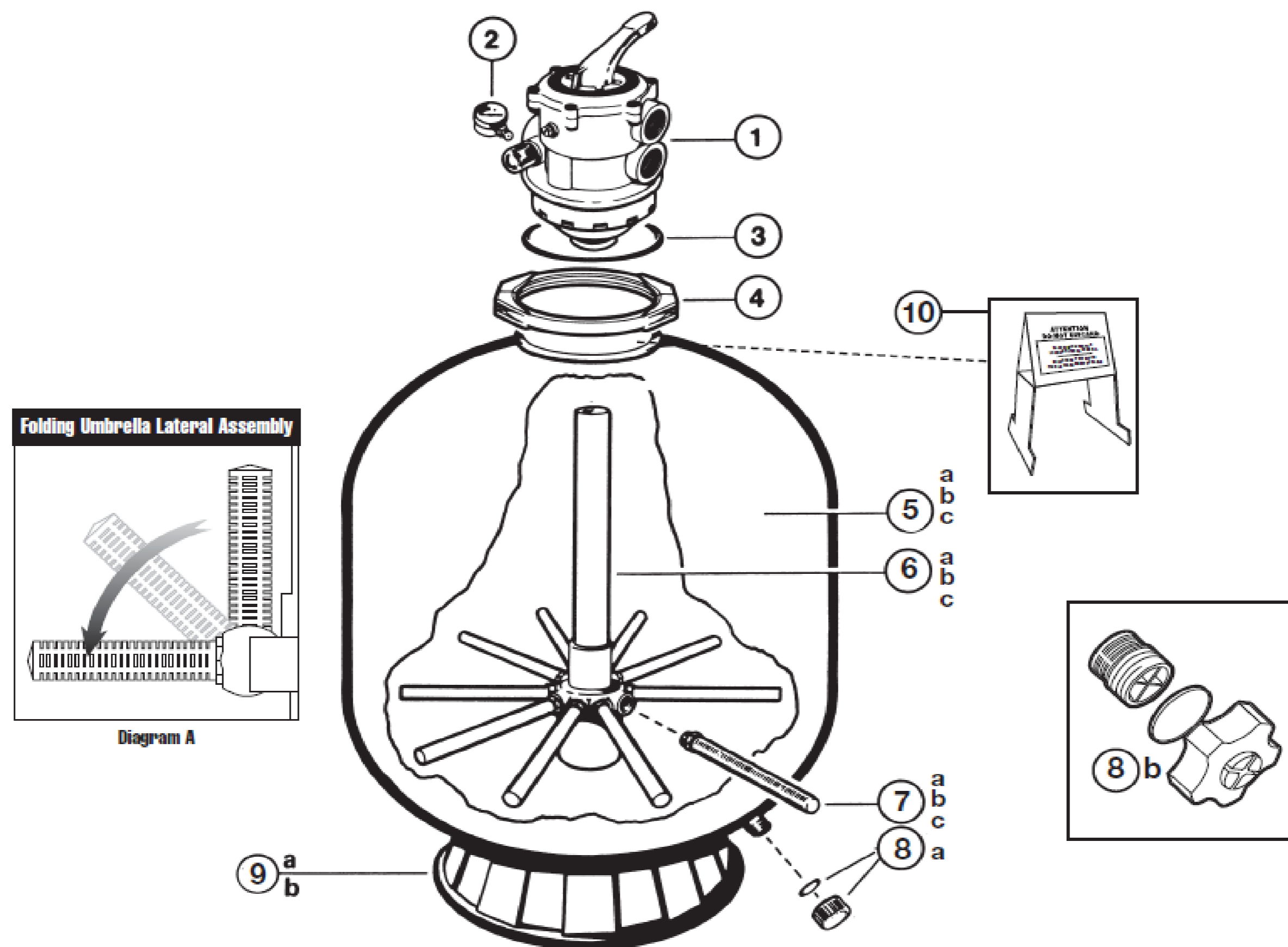
Item #	Part No.	Description	List Price
1	R0357100	Handle assembly w/hardware (2)	CALL
2	R0359900	Handle hardware (4)	CALL
3	R0357200	Gauge/Air release assembly	79.00
4	R0359600	Pressure gauge	CALL
5	R0552000	Tank adapter w/O-ring	29.12
6	R0357300	Tank lid DEV60	454.00
6	R0554700	Tank lid DEV48	CALL
7	R0359700	Top spacer for DE grids	CALL
8	R0405100	Spacer, DEV 48/60	CALL
9	R0358700	Breather tube assembly	19.78
10	R0359000	Manifold assembly	96.00
11	R0359300	Tie rod w/knob and lock nuts DEV60	CALL
11	R0554800	Tie rod w/knob and lock nuts DEV48	CALL
12	R0357400	Tank clamp ring w/knob assembly	490.58
13	R0357500	Clamp ring assy w/threaded rod and retainer	92.00
14	R0357800	Tank O-ring	52.00
15	R0555100	Outlet tube assy w/threaded rod * retainer	CALL
16	R0358200	Bulkhead assembly w/O-ring	73.86
17	R0327300	Coupling nuts w/flange and O-ring (2)	66.88
18	R0358400	Inlet elbow w/O-ring	CALL
19	R0358600	Tank bottom w/retaining ring and O-ring	CALL
20	R0358800	Drain plug w/O-ring	69.04
21	R0395500	Large tank drain adapter w/O-ring	CALL
22	R0359500	DE grid support	CALL
23	R0359100	DE grid, full DEV60 (7 req)	CALL
23	R0555000	DE grid, full DEV48 (7 req)	CALL
24	R0359200	DE grid, partial DEV60 (1)	CALL
24	R0554900	DE grid, partial DEV48 (1)	CALL
25	R0359400	Tie rod knob	CALL
26	R0405200	Large tank retaining ring	112.00
27	R0442500	O-ring kit, outer tube bulkhead assy	CALL
	R0358000	Large tank O-ring replacement kit	CALL
	H0238800	Installation/Operation manual	CALL
	R0442600	Complete set grids DEV60	CALL
	R0442700	Complete set grids DEV48	CALL
	R0443700	Gauge adapter kit (1 brass and 1 plastic)	CALL
	R0501300	Complete grid assembly DEV48 (includes nos. 7-1, 17-20)	CALL
	R0501400	Complete grid assembly DEV60 (includes nos. 7-1, 17-20)	CALL





HAYWARD PRO SERIES FILTER PARTS - S270T2, S310T2, S360T2

Item #	Part No.	Description	List Price
1	SP071621	Vari-Flo Control Valve – 2" with Clamp	204.00
2	ECX271261	Pressure Gauge Back Mount	CALL
3	GMX600F	Valve/Tank O-Ring	CALL
4	GMX600NM	Flange Clamp (Valve – Tank)	42.18
5a	SX270AA1	27" Filter Tank with Skirt, Drain and Lateral Assembly	CALL
5b	SX310AA1	31" Filter Tank with Skirt, Drain and Lateral Assembly	CALL
5c	SX360AA2	36" Filter Tank with Skirt, Drain and Lateral Assembly	CALL
6a	SX244DA	27" Folding Lateral Assembly with Center Pipe	CALL
6b	SX310DA2	31" Folding Lateral Assembly with Center Pipe	170.12
6c	SX360DA	36" Folding Lateral Assembly with Center Pipe	CALL
7a	SX240DN	27" Lateral (One Piece) with Hub	CALL
7b	SX310HA	31" and 36" Lateral (2004 and prior)	CALL
7c	SX310HN	31" and 36" Lateral (One Piece) with Hub	CALL
8a	SX180HG	Drain Cap (2005 and prior)	CALL
8b	SX180LA	Drain Cap Assembly, Gasket, Screen	CALL
--	SX200H	Bottom Drain Screen (2005 and prior)	CALL
9a	SX200J	Bottom Drain Screen (2005 and prior)	CALL
9b	SX310J	Filter Support Stand – Large	CALL
10	SX202S	Sand Shield	CALL

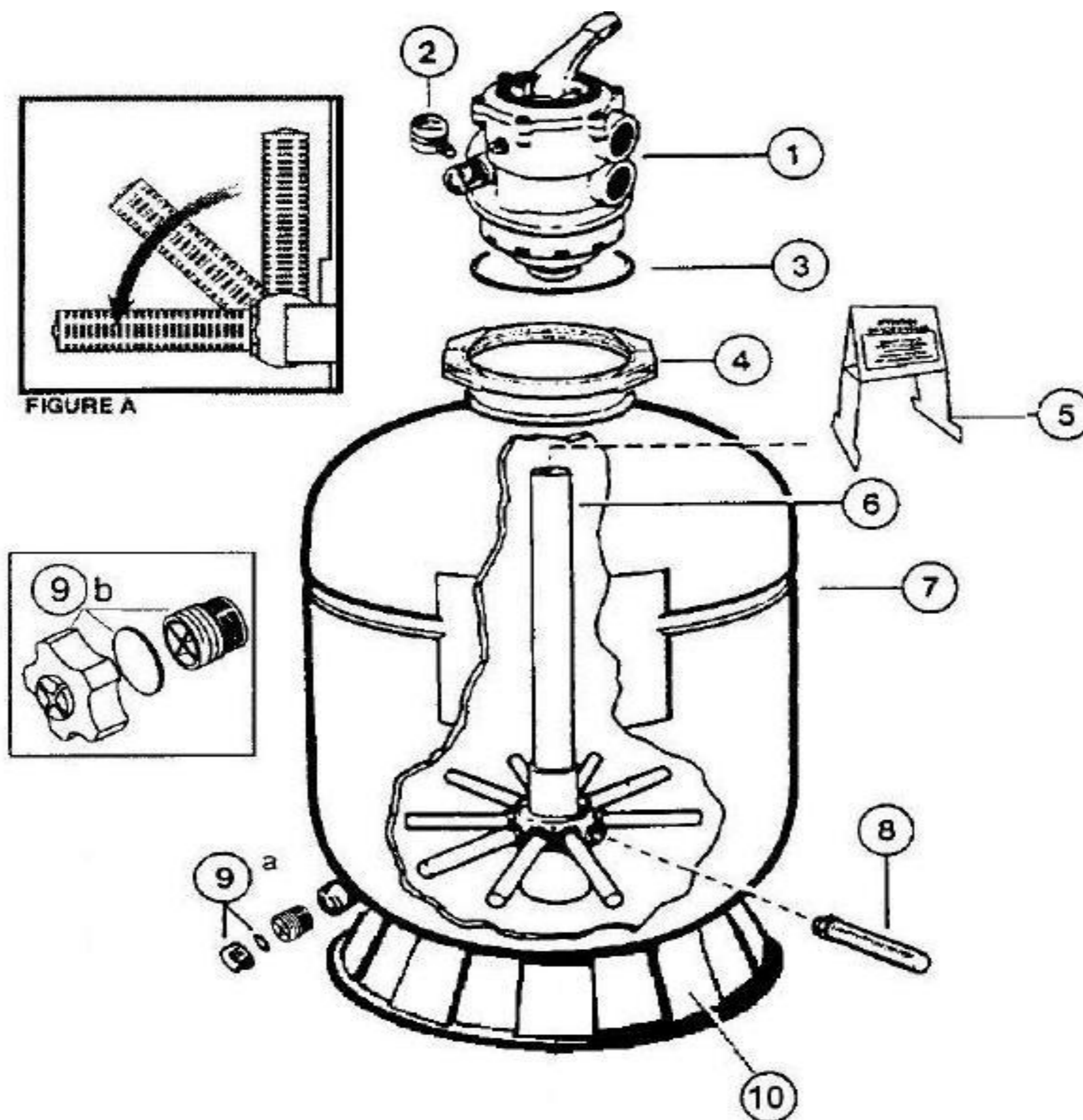




HAYWARD PRO SERIES FILTER PARTS - S180T, S210T, S220T, S220T2, S230T, S244T, S244T2, S270T

Item #	Part No.	Description	List Price
1	SP0714T	Hayward Vari-Flo XL Control Valve - 1 1/2"	152.00
1	SP071621	Hayward Vari-Flo XL Control Valve - 2"	204.00
2	ECX270861	Hayward DE Filter Pressure Gauge	CALL
3	GMX600F	Valve/ Tank O-Ring	CALL
4	GMX600NM	Hayward Flange Clamp, 2 piece Noryl	42.18
5	SX202S	Hayward Sand Shield - 2004 Corrugated Design	CALL
6A	SX180DA	Hayward S180T Folding Umbrella Lateral Assembly w/ Center Pipe (1997-)	CALL
6B	SX210DA	Hayward S210T Folding Umbrella Lateral Assembly w/ Center Pipe (1997-)	111.54
6C	SX220DA	Hayward S220T Folding Umbrella Lateral Assembly w/ Center Pipe (1997-)	CALL
6D	SX230DA	Hayward S230T Folding Umbrella Lateral Assembly w/ Center Pipe (2003-)	CALL
6E	SX244DA	Hayward S244T/S270T Folding Umbrella Lateral Assembly w/ Center Pipe (1997-)	127.10

Item #	Part No.	Description	List Price
7A	SX180AA2	S180T Filter Tank w/ Skirt, Drain, Lateral Assembly	CALL
7B	SX210AA1	S210T Filter Tank w/ Skirt, Drain, Lateral Assembly	CALL
7C	SX220AA1	S220T Filter Tank w/ Skirt, Drain, Lateral Assembly	CALL
7D	SX230AA1	S230T Filter Tank w/ Skirt, Drain, Lateral Assembly	CALL
7E	SX244AA1	S244T Filter Tank w/ Skirt, Drain, Lateral Assembly	CALL
7F	SX270AA1	S270T Filter Tank w/Skirt, Drain, Lateral Assembly	CALL
8A	SX200Q	Hayward Pro-Series S180T Lateral (2004 and Prior)	CALL
8B	SX240D	Hayward Pro-Series S210T, S220T, S230T, S244T Lateral (2004 and prior)	CALL
8C	SX200QN	Lateral (One Piece) w/ Hub - See Diagram A	CALL
8D	SX240DN	Hayward Filter Lateral (One Piece) w/ Hub - See Diagram A	CALL
9A	SX180HG	Hayward Filter Drain Cap Kit (2005 and Prior)	CALL
9B	SX180LA	Hayward Filter Drain Cap Assembly - Cap, Gasket, Screen	CALL
10	SX200J	Filter Support Stand (Skirt) (Special Order)	CALL





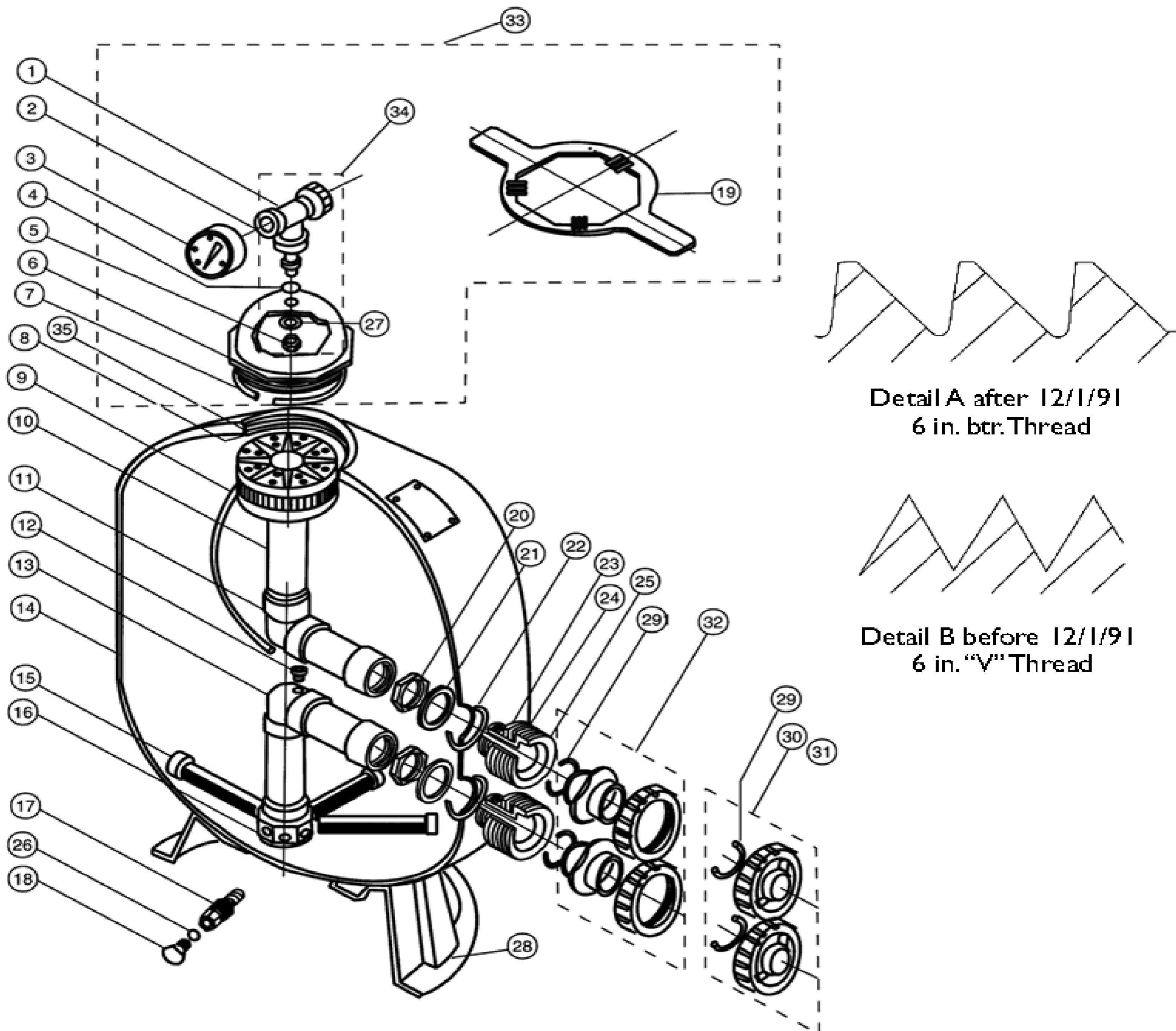
PENTAIR TRITON II SAND FILTER PARTS

Item #	Part No.	Description	List Price
1	154689	Air bleeder/tee assembly ¹³	25.20
2	154700	Adapter, brass air bleeder ¹³	CALL
3	190059	Gauge, pressure back mount ¹³	CALL
4	154661	O-ring, air bleeder adapter ¹³	CALL
5	154664	Nut, 3/8 in., 16 SS ¹³	CALL
6	154570	Closure 6 in. buttress thread ¹³	79.00
6	154559	Closure 6 in. "V in. thread, black, see Detail B ¹³	58.70
7	154493	O-ring closure, 6 in. white ¹³	CALL
8	154578	Strainer air relief 1/4 in. ³	13.70
8	150035	Strainer air relief, 3/8 in. ⁴	12.40
9	154435	Tube air relief TR40 ³	CALL
9	150039	Tube air relief TR40 ⁴	CALL
9	154436	Tube air relief TR50/60 ³	CALL
9	150040	Tube air relief TR50/60 ⁴	CALL
9	154437	Tube air relief TR100 ³	CALL
9	150041	Tube air relief TR100 ⁴	17.40
9	154438	Tube air relief TR140 ³	CALL
9	150042	Tube air relief TR100 ⁴	CALL
10	154598	Diffuser assembly TR40/50	CALL
10	154599	Diffuser assembly TR60	CALL
10	154462	Diffuser assembly TR100	CALL
10	154906	Diffuser assembly TR140	CALL
11	154803	Piping assembly upper TR40	CALL
11	156814	Piping assembly upper TR50	CALL
11	154533	Piping assembly upper TR60	CALL
11	154426	Piping assembly upper TR100	CALL
11	154500	Piping assembly upper TR140	CALL
12	154440	Connector air relief tube ¹	CALL
12	150036	Connector air relief tube ⁴	5.00
13	154801	Piping assembly lower TR40	CALL
13	156816	Piping assembly lower TR50	CALL
13	154805	Piping assembly lower TR60	CALL
13	155284	Piping assembly lower TR60 ¹⁴	CALL
13	154807	Piping assembly lower TR/PF100, TR100C	CALL
13	154489	Piping assembly lower TR140	CALL
14	154636	Tank & ft. assembly TR40, 6 in. btr. thd., Detail A	CALL
14	154637	Tank & ft. assembly TR50, 6 in. btr. thd., Detail A	CALL
14	154638	Tank & ft. assembly TR60, 6 in. btr. thd., Detail A	CALL
14	154639	Tank & ft. assembly TR100, 6 in. btr. thd., Detail A	CALL
14	154640	Tank & ft. assembly TR140, 6 in. btr. thd., Detail A	CALL
14	156224	Tank & ft. assembly TR100HD btr. thread, black HD	CALL

Item #	Part No.	Description	List Price
15	152290	Lateral 6-11/16 in LTR40/50/60, 8 req	8.90
15	150085	Lateral TR60 Gray, 1/4 turn ¹⁴	CALL
15	152202	Lateral, 9-1/8 in. long LTR100, 8 req ⁶	12.50
15	154540	Lateral 12 in. LTR140, 8 req	23.30
15	150088	Lateral ClearPro	CALL
16	154763	Hub lateral TR40/50/60	CALL
16	155753	Hub lateral, ClearPro - 6 req ¹⁴	CALL
16	154453	Hub lateral TR100/140	CALL
17	152220	Sand Drain 2 in.	45.00
17	154698	Spigot, 3/4 in. NPT sand drain ⁸	CALL
17	154685	Spigot, 1/2 in. NPT sand drain ⁷	CALL
18	154871	Cap thd., 1-1/2 in.	CALL
18	154699	Plug 1/4 in. NPT Drain ⁸	7.30
18	154481	Plug 1/4 in. drain plug, black	CALL
19	154512	Wrench 6 in. closure ¹³	28.50
19	154510	Wrench closure aluminum, 6 in. ¹³	170.00
20	154412	Locknut 2 in. internal, 2 req	11.40
21	154416	Spacer, 2 in. internal 2 req	17.30
22	154492	O-ring 2 in. bulkhead, 2 req	CALL
23	154408	Spacer, 2 in. external 2 req	17.30
24	154538	Gasket, 2 in. bulkhead 2 req	2.90
26	154492	O-ring 3/16 in. x 2-5/8 in. i.d., use 274494	CALL
26	192115	O-ring, drain plug ⁸	CALL
27	154418	Washer, 3/8 in. SS ¹³	CALL
28	154926	Foot 16 in. dia., TR40/50 ^{2, 11}	CALL
28	154520	Foot 19 in. dia., TR60 ^{2, 11}	CALL
28	154596	Foot 24 in. dia., TR100/140 ^{2, 11}	CALL
29	274494	O-ring valve adptr., 2 req	CALL
30	271092	2 in. Thread adapter. kit ⁹	CALL
31	271094	1-1/2 in. Thread adapter. kit ⁹	CALL
32	271096	Slip Adapter Kit 1-1/2 in. & 2 in. ⁹	57.00
33	154641	Kit closure, 6 in. btr. thread, black, Detail A ¹³	CALL
33	154697	Kit closure, 6 in. "V" thread, tan, Detail B ¹³	CALL
33	154856	Kit closure, 8-1/2 in. btr. thread, black 10, ^{10 13}	235.50
34	154687	Fitting package complete ^{12, 13}	39.30
35	154611	Spacer air vent strainer, 3-3/4 in., TR40	CALL
35	154612	Spacer air vent strainer, 4-1/2 in., TR50/60	CALL
35	154613	Spacer air vent strainer, 5-1/2 in., TR100	CALL
35	154614	Spacer air vent strainer, 5 in., TR140	CALL
	151602	Bulkhead wrench, 2 in.	CALL
	154714	Bulkhead kit include items 20-25	CALL
	151608	Wrench Aluminum 8-1/2 in.	CALL



PENTAIR TRITON II SAND FILTER PARTS



- 1: Used on filters manufactured before 2-89.
- 2: Used on filters manufactured after 2-89.
- 3: Used on filters manufactured before 11-1-99.
- 4: Used on filters manufactured after 11-1-99.
- 5: Used on filters manufactured before 5-85.
- 6: Used on filters manufactured after 5-85.
- 7: Used on filters manufactured before 3-83.
- 8: Used on filters manufactured after 3-83 thru 3-96.
- 9: For installations w/out valve, pair .
- 10: Used on all TR100 & 140 filters manufactured after 10-1-01.
- 11: Replacement of tank foot requires the use of foot mounting tape. See P/N's.
- 12: Fitting package includes items 1,2,4,5 and 27.
- 13: For individual parts for closure kit for TR100 and TR140.
- 14: For TR60's Built after 6/07.

Note: Filters manufactured after Dec 1, 1991 utilize a 6 in. btr. thread in the filter tank top opening and on the closure, see Detail A. Note: Filters manufactured before Dec 1, 1991 utilize a 6 in. "V" in. type thread, see Detail B.
 Note: 6 in. closures in Detail A and B are NOT interchangeable. Note: To determine manufacture date, the first 4 digits of the serial number indicate the month and year product was manufactured.



PENTAIR TAGELUS SAND FILTER PARTS

Item #	Part No.	Description	List Price
1A	262506	Valve ,1-1/2 in. 6-way clamp style 1 4 6 8 10	178.00
1A	261185	Valve, 2 in. 6-way clamp style ^{11A,} ^{11B}	280.94
1B	261130	Valve, 1-1/2 in. 6-way btr. thread TA, ¹⁶	130.00
1B	261124	Valve, 1-1/2 in. 6-way "V" thread- TA ¹⁷	198.20
2A	272541	O-ring valve body, 3/16 in. x 4-3/4 in. i.d. ^{2 4 6 8 10}	10.80
2A	275333	O-ring valve body, 3/16 in. x 6-1/2 in. i.d. ^{11A, 11B}	CALL
2B	154493	O-ring valve body, 0.157 in. x 5.75 in. i.d. ^{1 3 5 7 9}	CALL
3A	355330	O-ring standup, 1/8 in. x 2-3/8 in. i.d. ^{11A, 11B}	CALL
3B	155064	O-ring standup , 1/8 in. x 1-7/8 in.	CALL
4	152165	Clamp 6-1/2 in. dia SS, plastic ^{2, 4,} ^{6 8 10}	31.00
4	152130	Clamp 8.35 in. dia ^{11A, 11B}	106.06
5	190059	Gauge, pressure back mount	CALL
6	154555	Adapter 6 in. btr. thread ^{2, 4, 6, 8, 10,} ^{15 18}	CALL
6	155225	Adapter 6 in. "V" thread ^{2, 6, 8, 10,} ^{15 19}	CALL
6	154521	Adapter 8-1/2 in. btr. thread ^{11A,} ^{11B}	CALL
7	154494	O-ring valve adapter , .157 in. x 5.75 in. i.d. ^{2 4 6 8 10}	CALL
7	355619	O-ring, valve adapter ,1/8 in. x 8- 1/4 in. i.d. ^{11A, 11B}	13.86
8	155002	Stabilizer, center pipe	CALL
9	155276	Tank & ft. assembly w/valve adptr. ^{6 13 18 19}	CALL
9	155279	Tank & ft. assembly w/valve adptr. ^{8 13 18 19}	CALL
9	155269	Tank & ft. assembly w/valve adptr. ^{10 13 18 19}	CALL
9	155324	Tank & ft. assembly w/valve adptr.	CALL
9	155342	Tank & ft. assembly btr. thread style ^{5 16 17}	CALL
9	155343	Tank & ft. assembly btr. thread style ^{7 16 17}	CALL
9	155358	Tank & ft. assembly btr. thread style ^{9 16 17}	CALL

Item #	Part No.	Description	List Price
10	155060	Piping assembly, (dim. D = 12-7/8 in.) ^{1, 2}	CALL
10	153455	Piping assembly, (dim. D = 14-7/8 in.) ^{3, 4}	CALL
10	155061	Piping assembly, (dim. D = 17-3/4 in.) ^{5, 6}	CALL
10	155062	Piping Assembly dim. D = 19-7/8 in. ^{7, 8}	CALL
10	155063	Piping assembly, (dim. D = 22-5/8 in.) ^{9, 10}	53.94
10	155340	Piping assembly, less hub,(dim. D = 27-1/4 in.) ^{11A, 11B}	CALL
10	155323	Piping assembly, w/hub, (dim. D = 27-1/4 in.) ^{11A, 11B}	CALL
10	155299	Piping assembly, w/hub ^{10, 20}	CALL
11	155007	Lateral 5-11/32 in. long, 8 req. ^{1, 2,}	CALL
11	152290	Lateral 6-11/16 in. long, 8 req. ^{5, 7,} ^{9 6 8 10}	8.90
11	152202	Lateral, 9-1/8 in. long ^{11A, 11B}	12.50
11	150085	Lateral 1/4 turn, 6 req. ^{10, 20}	CALL
11	150088	Lateral ClearPro - 6 req	CALL
12	154596	Foot tank ^{11A, 14}	CALL
13	154698	Spigot, 3/4 in. NPT sand drain ^{2, 4,} ^{6 8 10}	CALL
13	154685	Spigot, 1/2 in. NPT sand drain ^{1, 3,} ^{5 7 9}	CALL
13	152220	Spigot, 2 in. NPT sand drain ^{11A}	45.00
14	192115	O-ring, drain plug , 1/16 in. x 1/2 in. i.d.	CALL
14	154871	O-ring ,drain plug TA100	CALL
15	154699	Plug ,1/4 in. NPT drain	7.30
16	154512	Wrench 6-1/2 in. across flats ^{2, 6, 8,} ¹⁰	28.50
16	151608	Wrench 9 in. across flats ¹⁴	CALL
18	272599	Label top mount valve	CALL
	152220	Spigot, 2 in. NPT sand drain TA100	45.00
	154871	2 in. Drain O-ring	CALL

1: TA 30 2: TA 30D 3: TA 35
4: TA 35D 5: TA 40 6: TA 40D
7: TA 50 8: TA 50D 9: TA 60

10: TA 60D 11A: TA 1C 11B: TA 100D

12: Item 3A O-ring, standpipe is used on model TA100D Filters

13: Tagelus Clamp Filter models tank & ft. assembly have valve

14: Replacement of tank ft. requires the use of mounting tape. See part number listed.

15: Lubricate O-ring liberally w/silicone lubricant and tighten to

16: Tagelus Filter models TA30, 35, 40, 50, 60 manufactured after

17: Tagelus Filter models TA30, 40, 50, 60 manufactured before

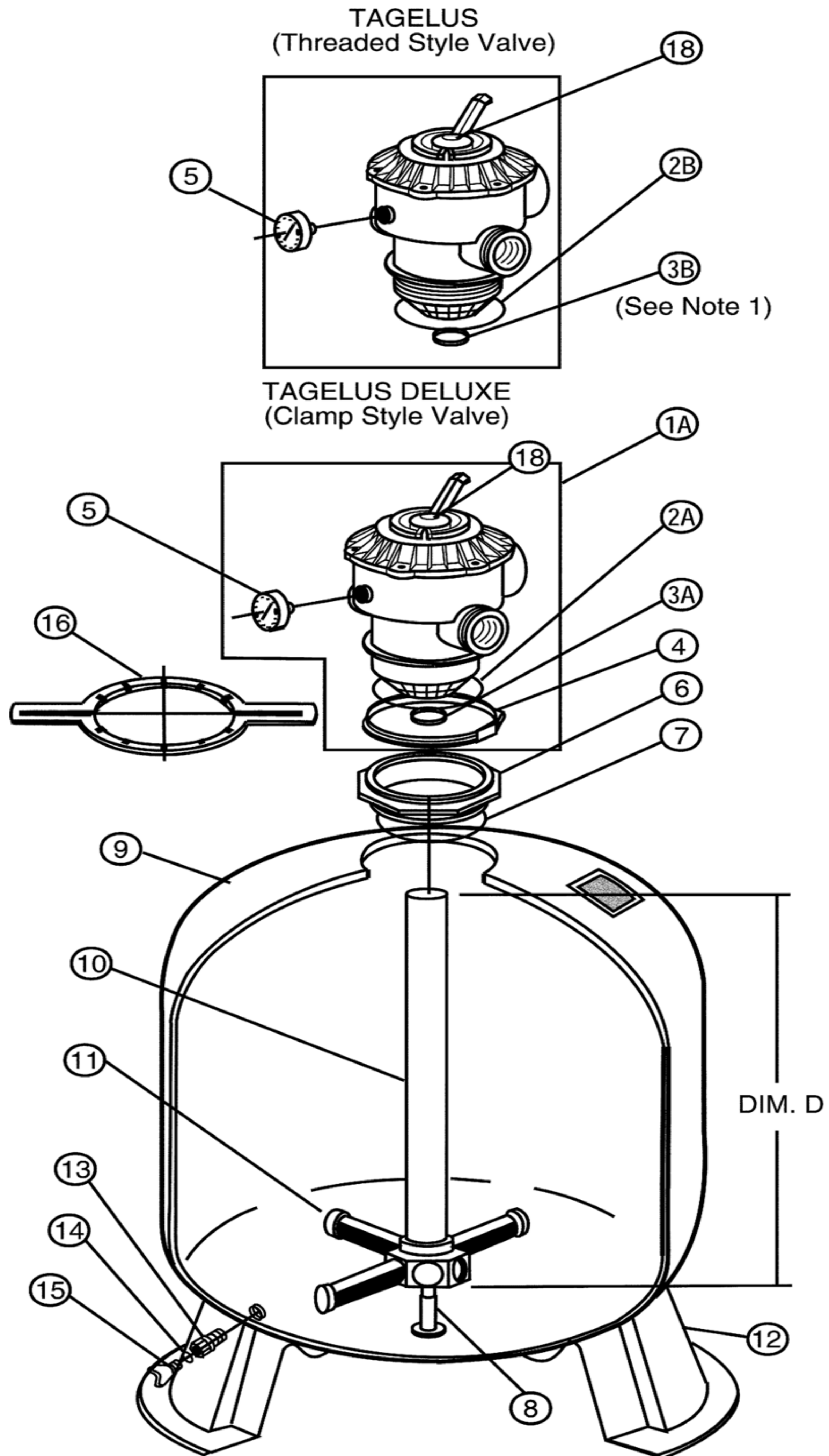
18: Tagelus Clamp Filter models TA30D, 35D, 40D, 50D, 60D

19: Tagelus Clamp Filter models TA30D, 40D, 50D, 60D

20: TA60D Filters mfg after 6/07 have new 1/4 turn laterals



PENTAIR TAGELUS SAND FILTER PARTS

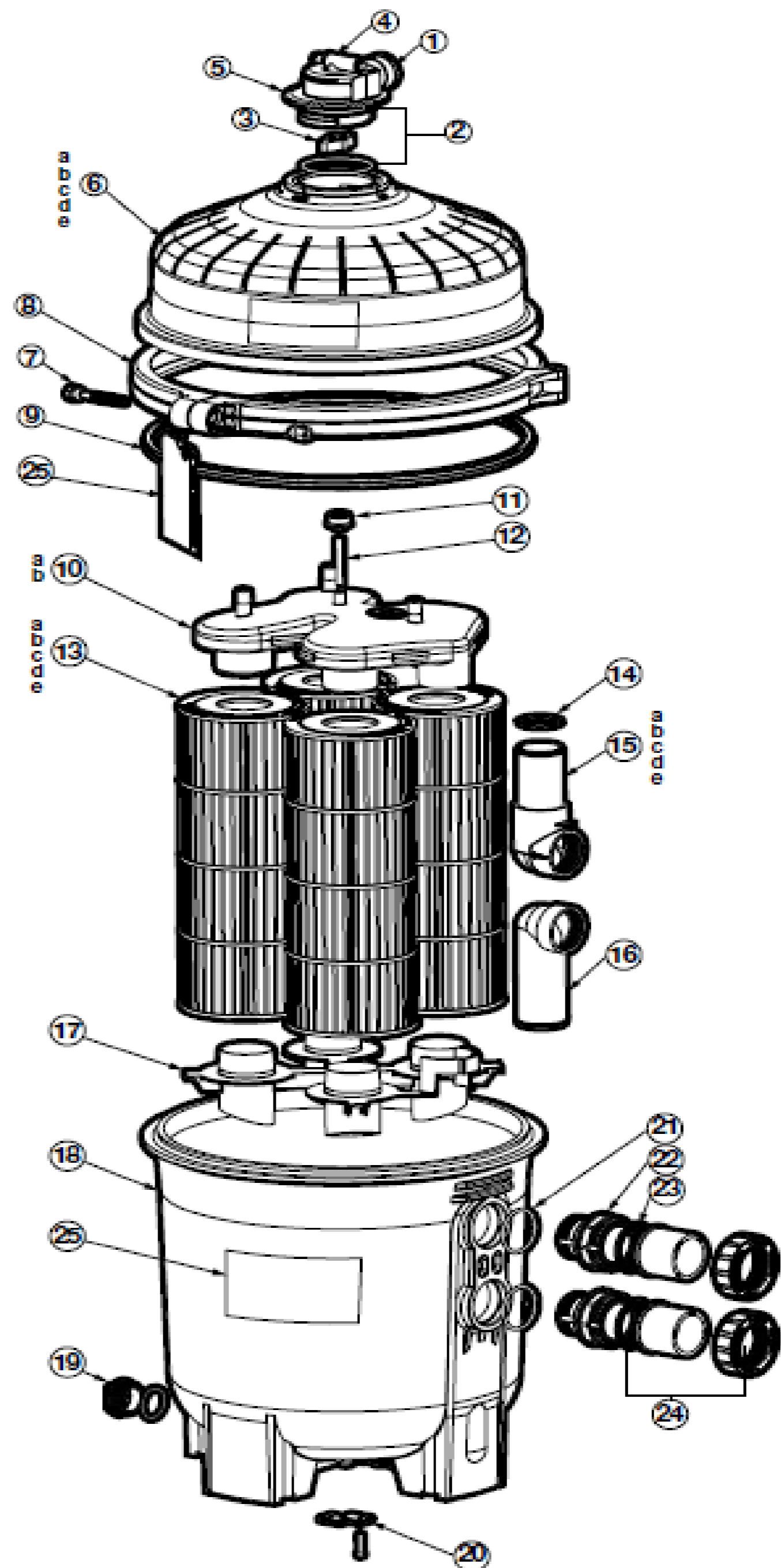




HAYWARD SWIM CLEAR CARTRIDGE FILTER -30 SERIES

Item #	Part No.	Description	List Price
1	SCX2712B1	Pressure Gauge	CALL
2	DEX2420Z8A	O-Ring Kit (Set of 2)	CALL
3	CX1000N	Air Relief Valve Nut	CALL
4	CCX1000V	Manual Air Relief w/o-ring	CALL
5	DEX2420MAR2	Manual Air Relief Valve Assembly	145.00
06a	DEX2420BTC	Upper Filter Body C2030	CALL
06b	DEX3620BTC	Upper Filter Body C3030	CALL
06c	DEX4820BTC	Upper Filter Body C4030	674.64
06d	DEX6020BTC	Upper Filter Body C5030	CALL
7	DEX2421J2	Swim Clear Clamp Bolt & Nut	CALL
8	DEX2421JKIT	Clamp Bolt System (Clamp, Clamp Nut and Bolt)	385.50
9	DEX2422Z2	Metal Reinforced Seal	CALL
10a	CX3030C	Top Manifold C2030, C3030, C4030	CALL
10b	CX5030C	Top Manifold C5030, C7030	CALL
11	CX3000J1	Air Relief Filter	CALL
12	CX2030Z3	Air Relief Tube	CALL
13a	CX481XRE	Replacement Cartridge C2030 (4 req)	CALL
13b	CX580XRE	Replacement Cartridge C3030 (4 req)	CALL
13c	CX880XRE	Replacement Cartridge C4030 (4 req)	CALL
13d	CX1280XRE	Replacement Cartridge C5030 (4 req)	CALL
13e	CX590XRE	Replacement Cartridge C7030 (8 req)	CALL

Item #	Part No.	Description	List Price
14	DEX2400Z5	Elbow O-ring	CALL
15a	CX3030F1	Outlet Elbow w/Pipe C2030	CALL
15b	CX3030F2	Outlet Elbow w/Pipe C3030	CALL
15c	CX3030F3	Outlet Elbow w/Pipe C4030	CALL
15d	CX3030F4	Outlet Elbow w/Pipe C5030	CALL
15e	CX3030F5	Outlet Elbow w/Pipe C7030	CALL
16	CX3030FB	Inlet Elbow	CALL
17	C3030D	Bottom Seal Plate	CALL
18	DEX2420ATC	Lower Filter Body	CALL
19	SP1022C	1-1/2" Drain plug w/o-ring	CALL
20	DEX2420DCKIT	Strap Kit (Optional)	CALL
21	SX220Z2	O-ring	CALL
22	CX3035F	Bulkhead Fitting	CALL
23	SPX3200UG	Union Gasket (T-Seal)	CALL
24	SPX3200UNKIT	Union Connection Kit	66.32
25	DEX2420LA6PAK	Label Pack	CALL



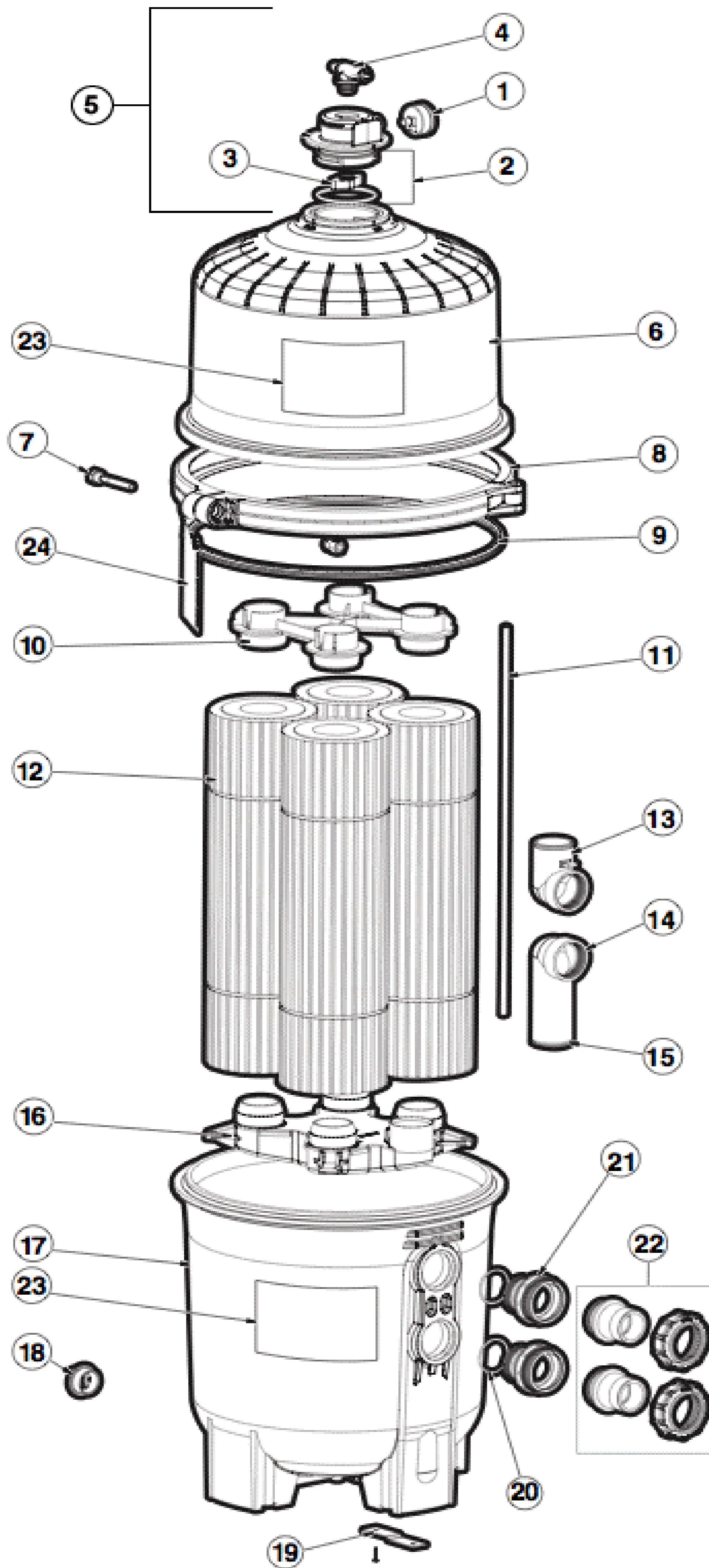


HAYWARD SWIM CLEAR CARTRIDGE FILTER -20 AND -25 SERIES

Item #	Part No.	Description	List Price
1	SCX2712B1	Pressure Gauge	CALL
2	DEX2420Z8A	O-Ring Kit (Set of 2)	CALL
3	CX1000N	Air Relief Valve Nut	CALL
4	CCX1000V	Manual Air Relief w/o-ring	CALL
5	DEX2420MAR2	Manual Air Relief Valve Assembly	145.00
6a	DEX2420BTC	Upper Filter Body C2020/C2025	CALL
6b	DEX3620BTC	Upper Filter Body C3020/C3025	CALL
6c	DEX4820BTC	Upper Filter Body C4020/4025	674.64
6d	DEX6020BTC	Upper Filter Body C5020/C5025	CALL
6e	DEX7220BTC	Upper Filter Body C7000/C7020	765.68
7	DEX2421J2	Swim Clear Clamp Bolt & Nut	CALL
8	DEX2421JKIT	Clamp Bolt System (Clamp, Clamp Nut and Bolt)	385.50
9	DEX2422Z2	Metal Reinforced Seal	CALL
10a	CX2020DA	Top Closure Plate C2020/C2025	CALL
10b	CX3020DA	Top Closure Plate C3020/C3025/C4020/C4025	CALL
10c	CX5020DA	Top Closure Plate C5020/C5025	CALL
10d	CX3020D4	Top Closure Plate C7000/C7020	CALL
11a	CX800Z4	Air relief tube assembly C2020/C2025	CALL
11b	CX3000Z3	Air relief tube assembly C3020/C3025	CALL
11c	CX4000Z3	Air relief tube assembly C4020/C4025	CALL
11d	CX5000Z3	Air relief tube assembly C5020/C5025	CALL
11e	CX7000Z3	Air relief tube assembly C7000/C7020	CALL

Item #	Part No.	Description	List Price
12a	CX480XRE	Replacement Element C2020/C2025	CALL
12b	CX580XRE	Replacement Element C3020/C3025	CALL
12c	CX880XRE	Replacement Element C4020/C4025	CALL
12d	CX875RE	Replacement Element C4520 series	CALL
12e	CX1280XRE	Replacement Element C5020/C5025	CALL
12f	CX1380RE	Replacement Element C5520 series	CALL
12g	CX590RE	Replacement Element C7000/C7020	CALL
**	CX7020M	Mid Plate Connector C7000/C7020 only	CALL
13	CX3000F1B	Inlet Elbow	CALL
14	CX3020FB	Outlet elbow	CALL
15	DEX360M	O-ring	CALL
16	CX3000C	Bottom Collector Manifold	113.24
17	DEX2420ATC	Lower Filter Body	CALL
18	SP1022CBLK	1-1/2" Drain plug w/o-ring	CALL
19	DEX2420DCKIT	Strap Kit (Optional)	CALL
20	SX220Z2	O-ring	9.50
21	DEX2420F	Bulkhead Fitting	33.00
22	DE2400PAK2CS	Plumbing Kit, includes 2 O-rings, 2 slip connectors, and 2 locknuts	CALL
23	DEX2420LA6PAK	Label Pack	CALL

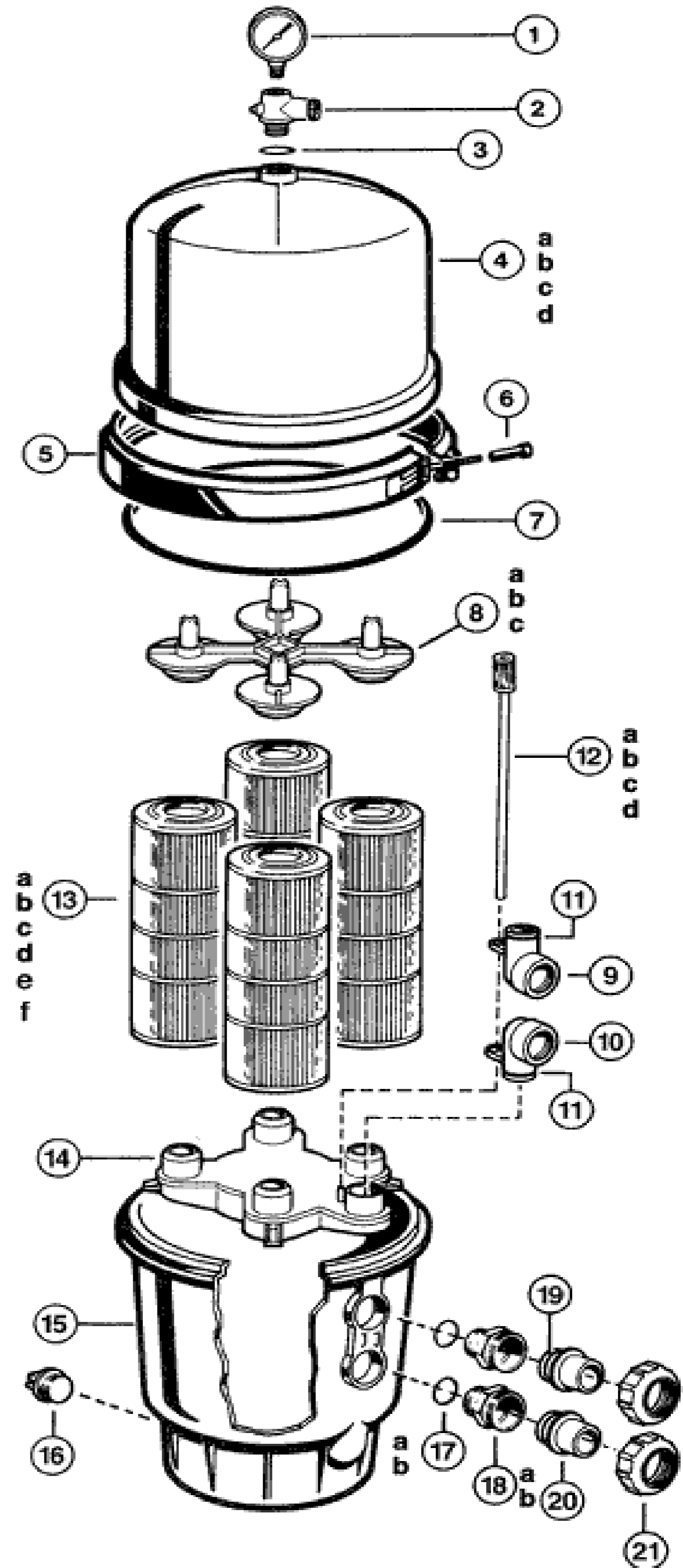
HAYWARD SWIM CLEAR CARTRIDGE FILTER -20 AND -25 SERIES





HAYWARD SUPER STAR CLEAR CARTRIDGE FILTER PARTS

Item #	Part No.	Description	List Price
1	ECX270861	Filter Pressure Gauge	CALL
2	DEX2400S	Relief Valve / Gauge Adapter Assembly	CALL
---	DEX2400Z3A	O-Ring for Relief Valve Stem (Set of 3)	CALL
3	SX200Z5	Relief Valve Assembly ORing	CALL
4A	DEX2400BT	Filter Head (C2000)	CALL
4B	DEX3600BT	Filter Head (C3000)	CALL
4C	DEX4800BT	Filter Head (C4000)	CALL
4D	DEX6000BT	Filter Head (C5000)	CALL
5	DEX2400J	Clamp Assembly	CALL
6	DEX2400JN	Brass Sleeve Nut Ltd. Qty. Available	CALL
7	DEX2400K	Filter Tank O-Ring	CALL
8A	CX3020DA	Top Closure Plate C3000 / C4000	CALL
8B	CX5020DA	Top Closure Plate C5000	CALL
9	CX3000F1B	Buttress Thread Outlet Elbow Assembly	CALL
10	CX3000FB	Buttress Thread Outlet Elbow Assembly	CALL
11	DEX360M	ORing Fits DEX360M	CALL
12A	CX800Z4A	Super StarClear Air Relief Tube (C2000)	CALL
12B	CX3000Z3	Super StarClear Air Relief Tube (C3000)	CALL
12C	CX4000Z3	Super StarClear Air Relief Tube (C4000)	12.78
12D	CX5000Z3	Super StarClear Air Relief Tube (C5000)	CALL
13A	CX480XRE	Replacement Element C2000	CALL
13B	CX580XRE	Replacement Element C3000	CALL
13C	CX880XRE	Replacement Element C4000	CALL
13D	CX875RE	Replacement Element C4500 series	CALL
13E	CX1280XRE	Replacement Element C5000	CALL
13F	CX1380RE	Replacement Element C5500 series	CALL
14	CX3000C	Bottom Collector Manifold	113.24
15	DEX2400A1T	Filter Tank Body	CALL
16	SP1022CBLK	1.5" Drain Plug w/ ORing	CALL
17A	SX200Z3	Bulkhead ORing (1995 and prior)	CALL
17B	SX360Z1	Oring (after 1996)	9.00
18A	DEX360F	Bulkhead Fitting	CALL
18B	DEX360FB	Buttress Thread Bulkhead Fitting (After 1997)	CALL
19	SX200Z4	ORing	CALL
20	SX240F	1.5" SKT x 2" SLIP Connector	15.00
21	SX200R	Locknut	CALL

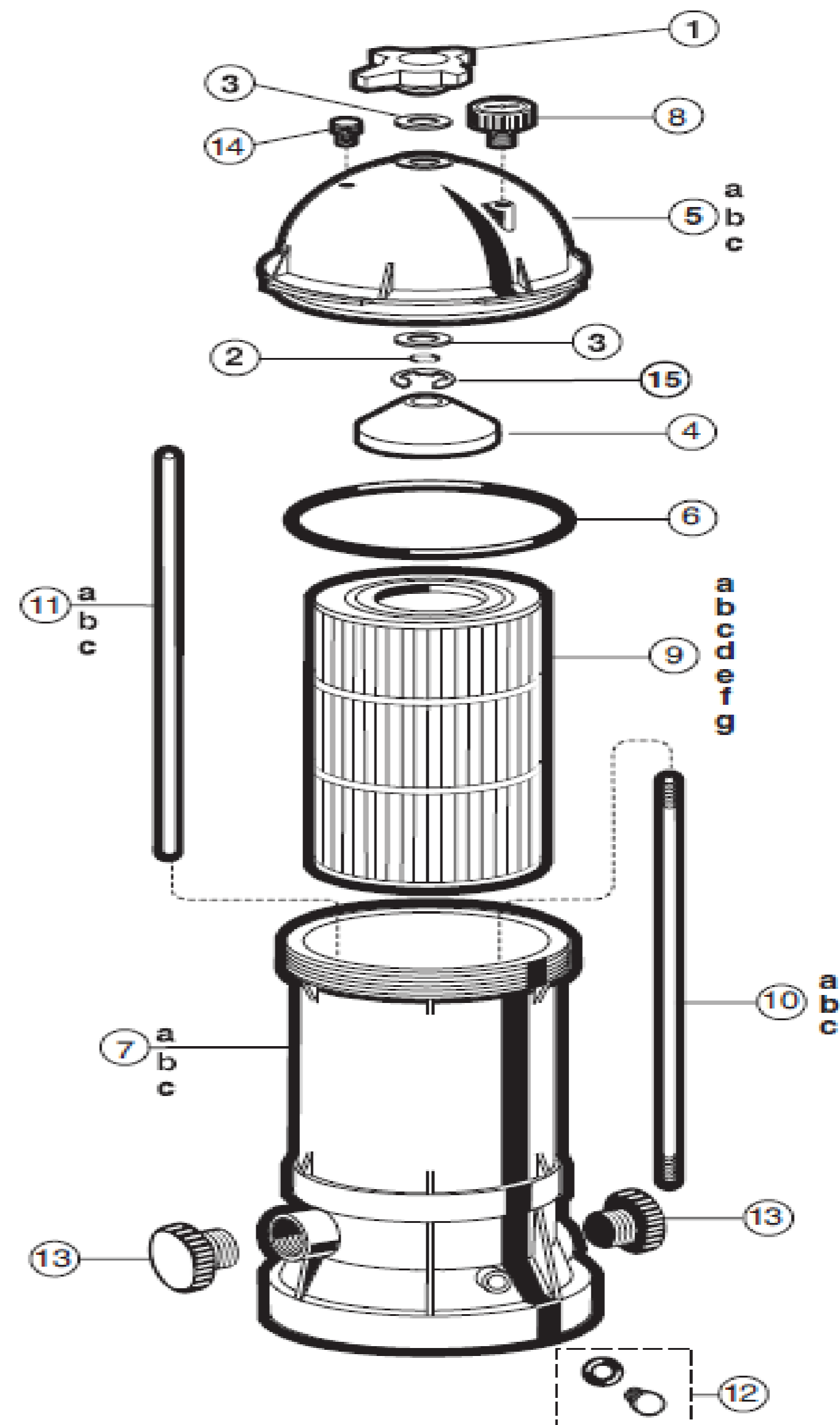




HAYWARD STAR CLEAR PLUS CARTRIDGE FILTER PARTS

Item #	Part No.	Description	List Price
1	CX900G	Locking Knob (C751, C900, C1200 Series)	CALL
1	CX900DA	Knob Kit (C751, C900, C1200)	CALL
1	CX1750G	Locking Knob (C1750 Series)	CALL
2	CX900H	O-Ring	CALL
3	CX900W	Filter Washer (2 Req'd)	CALL
4	CX900D	Guide Cone	CALL
5A	CX900B	Filter Head w/ Directional Vent Valve (C751, C900 Series)	CALL
5B	CX1200B	Filter Head w/ Directional Vent Valve (C1200 Series)	CALL
5C	CX1750B	Filter Head w/ Directional Vent Valve (C1750 Series)	CALL
6	CX900F	Filter Head O-Ring	35.80
7A	CX900AA	Filter Body - 1 1/2" FIP (C751, C900)	CALL
7A	CX900AA2	Filter Body - 2" FIP (C7512, C9002, C9002S)	CALL
7B	CX1200AA	Filter Body - 1 1/2" FIP (C1200)	CALL
7B	CX1200AA2	Filter Body - 2" FIP (C12002, C12002S)	CALL
7C	CX1750AA2	Star Clear Plus Filter Body - 2" FIP (C17502, C17502S)	CALL
8	ECX271261	Universal Back Mount Filter Pressure Gauge	CALL
9A	CX760RE	Cartridge Element (C751 Series)	CALL
9B	CX900RE	Cartridge Element (C900 Series)	CALL
9C	CX1200RE	Cartridge Element (C1200 Series)	CALL
9D	CX1520RE	Cartridge Element (C1502 Series)	CALL
9E	CX1750RE	Cartridge Element (C1750 Series)	CALL
9F	CX2020RE	Cartridge Element (C2002 Series)	CALL
9G	CX1900RE	Cartridge Element (C1900 Series)	CALL

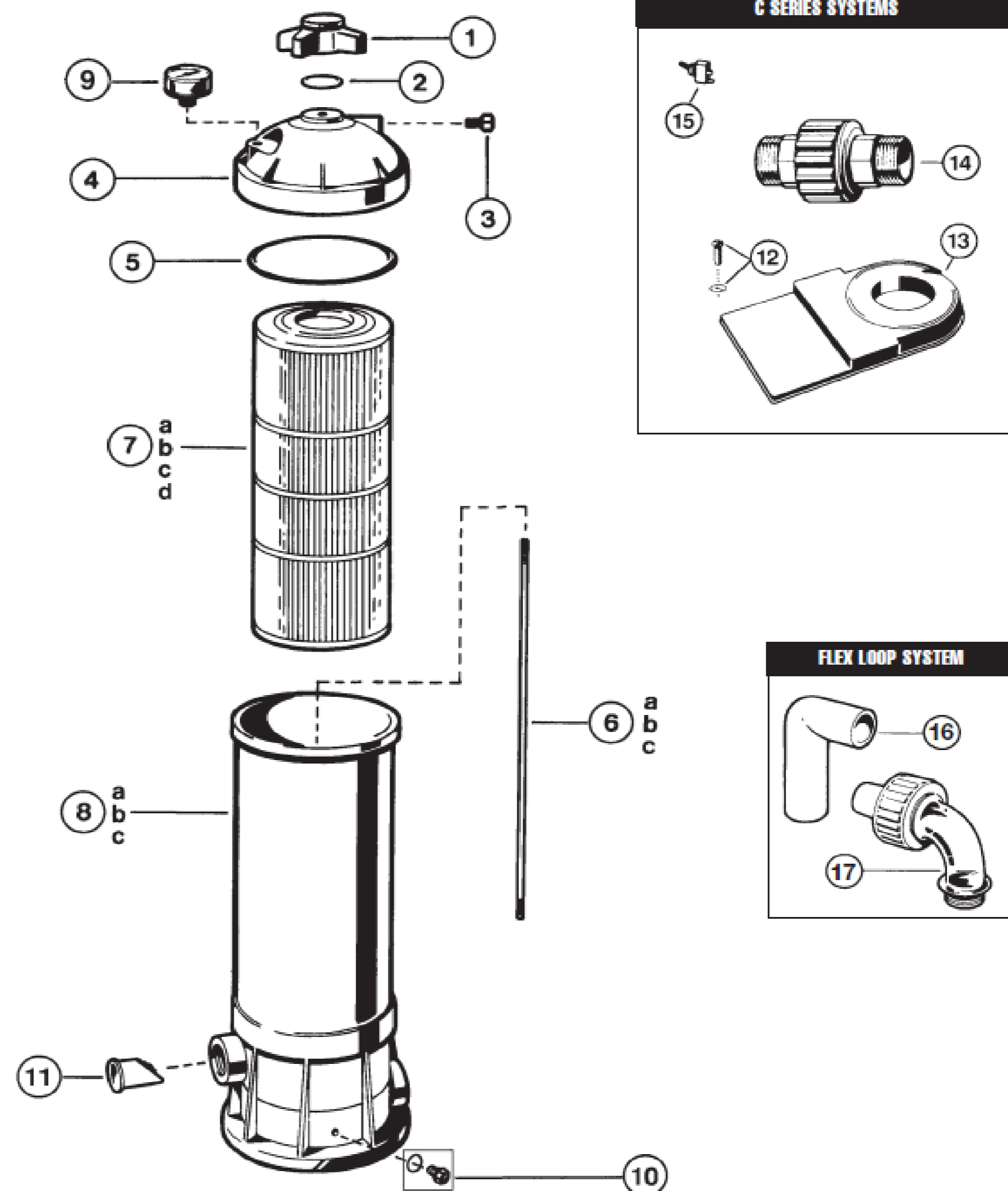
Item #	Part No.	Description	List Price
10A	CX800Z2	Tie Rod (C751, C900 Series)	CALL
10B	CX1100Z2	Tie Rod (C1200 Series)	CALL
10C	CX1750Z2	Tie Rod (C1750 Series)	CALL
11A	CX800Z4	Auto Air Relief Tube (C900)	CALL
11B	CX1100Z4	Auto Air Relief Tube (C1200)	CALL
11C	CX1750Z4	Auto Air Relief Tube (C1750)	CALL
12	CX250Z14A	Drain Plug Kit (Includes Plug & O-Ring)	7.70
13	CX900K	2" PVC Socket Connector	31.56
14	ECX1322A	Directional Vent Valve w/ O-Ring	12.50
15	CX900J	E-Ring	CALL
D.E. Separation Tank Parts same as C900 except as below:			
---	CX900DB	D.E. Collector Bag Assembly (May 2004 & Prior)	CALL
---	CX900DBA	D.E. Collector Bag Assembly (After May 2004)	CALL





HAYWARD STAR CLEAR CARTRIDGE FILTER PARTS

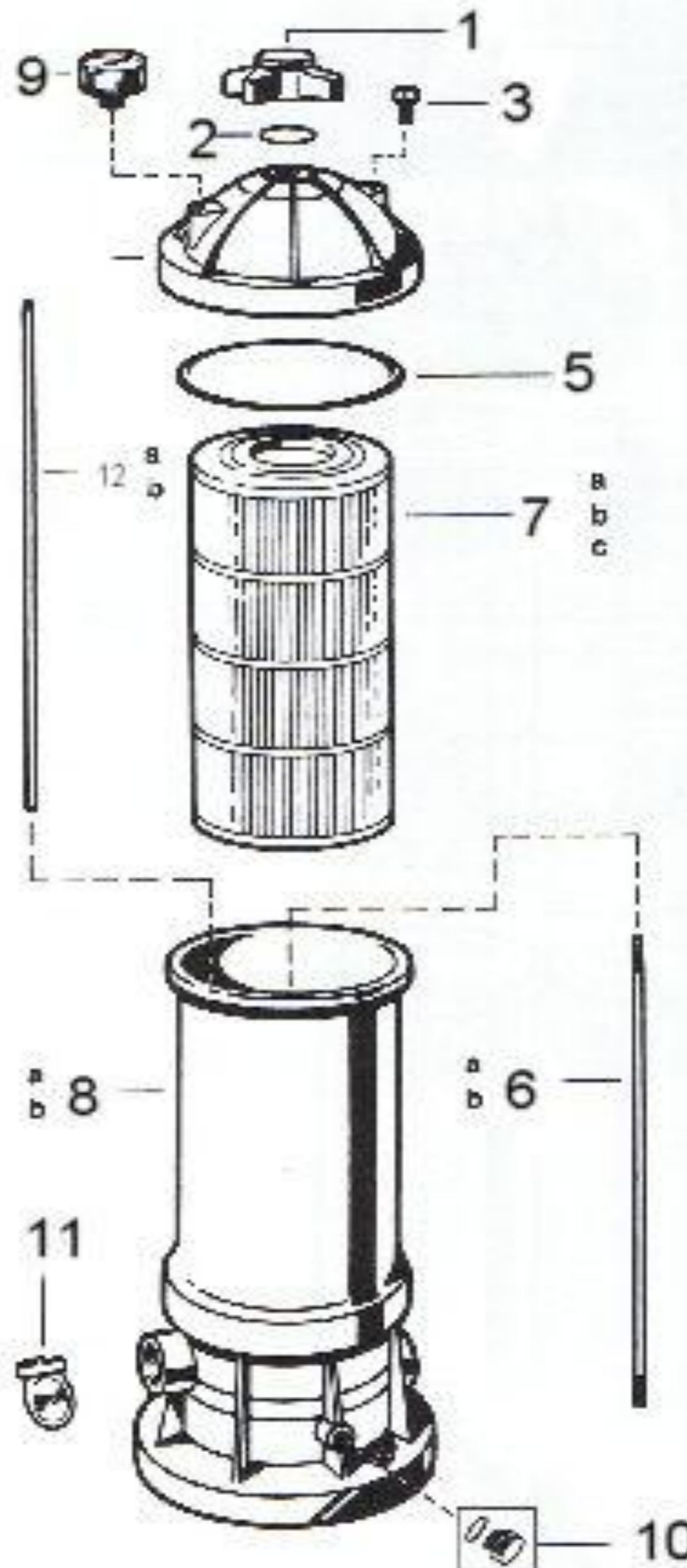
Item #	Part No.	Description	List Price
1	CX250G	Locking Knob	CALL
2	CX250Z7	O-Ring	CALL
3A	ECX1322A	Filter Directional Vent Valve w/ O-Ring	CALL
4	CX250C	StarClear Filter Head (Dome), w/ Air Relief Valve	CALL
5	CX250F	Filter Head Gasket	CALL
6A	CX250Z2S	Tie Rod (C250), 18 9/32"	CALL
6B	CX500Z2S	Tie Rod (C500), 28 3/32"	CALL
6C	CX750Z2S	Tie Rod (C750, C100) 38 1/16"	CALL
7A	CX250RE	Filter Cartridge Element (C250)	CALL
7B	CX500RE	Filter Cartridge Element (C500)	CALL
7C	CX750RE	Filter Cartridge Element (C750)	CALL
7D	CX1000RE	Filter Cartridge Element (C100)	CALL
8A	CX250AA1	Filter Body w/ Tie Rod Assembly (C250)	CALL
8B	CX500AA1	Filter Body w/ Tie Rod Assembly (C500)	CALL
8C	CX750AA1	Filter Body w/ Tie Rod Assembly (C750, C100)	CALL
9	ECX27091	Pressure Gauge, Back Mount	CALL
10	CX250Z14A	Drain plug kit	7.70
11	ECX4077B1	Filter Check Valve (Optional)	CALL
C Series Systems			
---	SPX1250WA	6 Ft. Cord Set - No. 14/3 AWG	CALL
---	SPX1550WA	25 Ft. Cord Set - No. 14/3 AWG	CALL
---	ECX1248	Cord Strain Relief	CALL
12	ECX1108A	Pump Mounting Screw w/ Washer	CALL
13	EC1161PAK	Platform Base w/ Screws - Low Profile	CALL
14	SP1480BLK	Star-Clear 1 1/2" Male Union	CALL
15	ECX1325	Switch Assembly	CALL
Modular Flex Loop Systems			
16	ECX1326A	Flex Loop Elbow	CALL
17	SPX14853	Sweep Elbow Union Assembly	CALL





HAYWARD STAR CLEAR II CARTRIDGE FILTER PARTS

Item #	Part No.	Description	List Price
1	CX800G	Locking Knob	CALL
2	CX250Z7	O-Ring	CALL
3	ECX1322A	Directional Vent Valve w/O-Ring	12.50
4	CX800C	Filter Head Cover w/Air Relief Valve	123.52
5	CX800F	Filter Tank O-Ring	29.70
6a	CX800Z2	Tie Rod C800	CALL
6b	CX1100Z2	Tie Rod C1100	CALL
7a	CX800RE	Cartridge Element C800/C1500 (2 req for C1500)	CALL
7b	CX1100RE	Cartridge Element C1100	CALL
**	CX1500C	Cartridge joiner - C1500 only	CALL
8a	CX800AA*	Filter Tank Body - 1-1/2" - C800	CALL
8b	CX150AA	Filter Tank Body - 1-1/2" - C1500	CALL
9	ECX27091	Pressure Gauge	CALL
10	CX250Z14A	Drain Plug Kit (includes plug and o-ring)	CALL
12a	CX800Z4	Auto Air Relief Tube (C800)	CALL
12b	CX1100Z4	Auto Air Relief Tube (C1100)	CALL



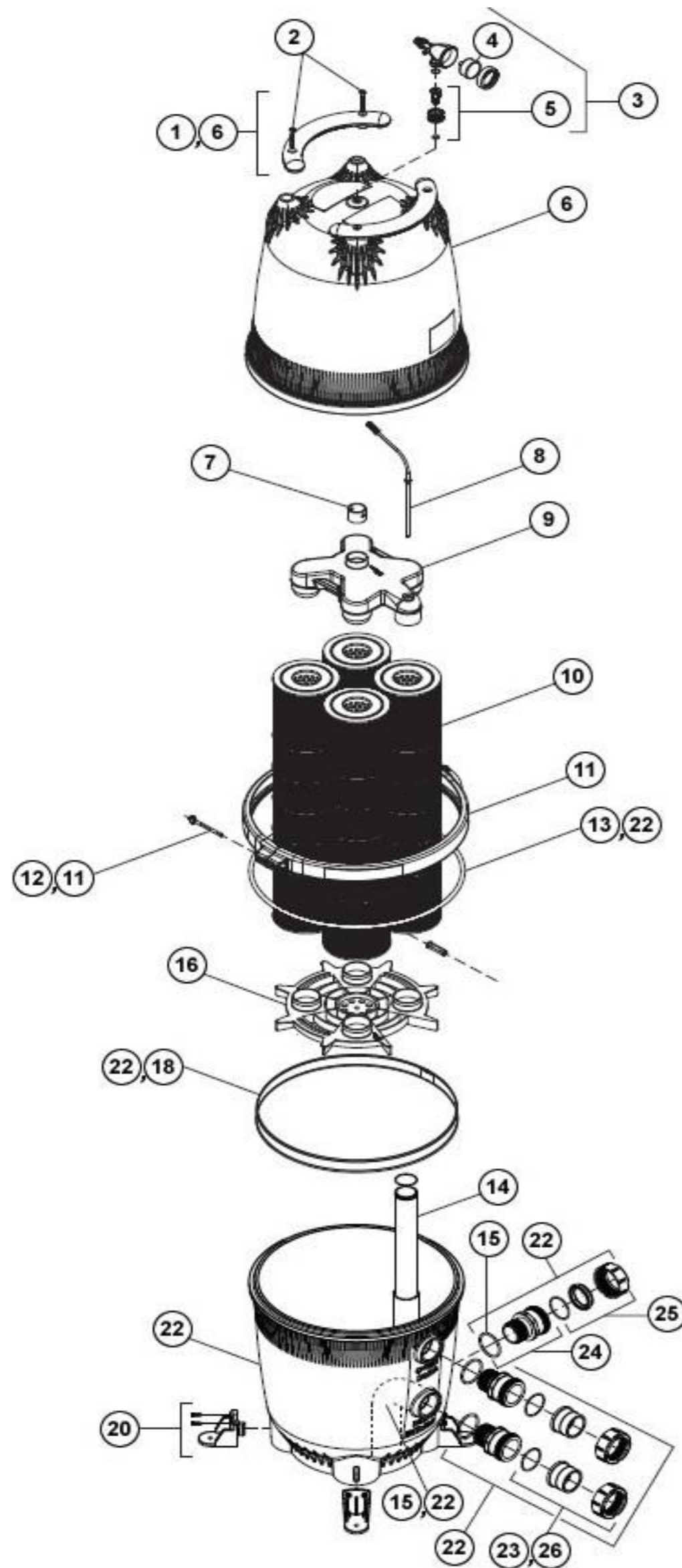


JANDY CV / CL CARTRIDGE FILTER PARTS

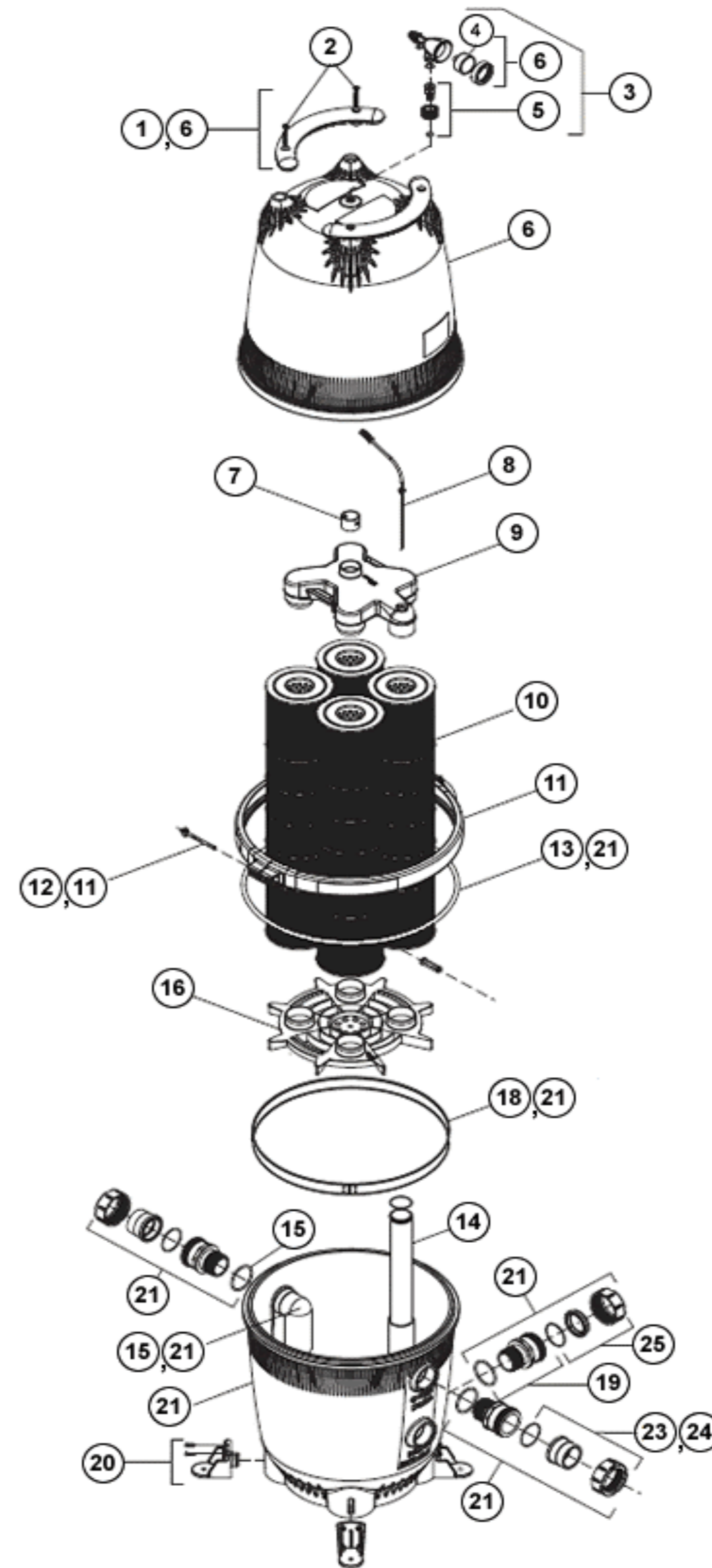
Item #	Part No.	Description	List Price
1	R0357100	Handle assembly w/hardware	CALL
2	R0359900	Handle hardware (set of 4)	CALL
3	R0357200	Gauge/air release assembly	79.00
4	R0359600	Jandy logo gauge	CALL
5	R0552000	Tank adapter w/O-ring - union	29.12
6	R0357300	Tank top, 580 sq. ft.	454.00
6	R0554700	Tank top, 340 & 480 sq. ft.	CALL
7	R0357700	Top spacer	CALL
8	R0358700	Breather tube assembly	19.78
9	R0357600	Manifold assembly	130.00
10	R0357900	Filter cartridge, 145 sq. ft., (4 req.) 580 sq. ft.	CALL
10	R0554600	Filter cartridge, 115 sq. ft., (4 req.) 460 sq. ft.	CALL
10	R0554500	Filter cartridge, 85 sq. ft., (4 req.) 340 sq. ft.	CALL
11	R0357400	Tank clamp ring w/rod assembly	490.58
12	R0357500	Threaded rod and retainer	92.00

Item #	Part No.	Description	List Price
13	R0357800	Tank O-ring	52.00
14	R0555100	Outlet tube/elbow assembly w/O-ring	CALL
15	R0358400	Inlet elbow w/O-ring	CALL
16	R0358500	Filter cartridge support	CALL
17	R0358000	O-ring replacement kit	CALL
18	R0405200	Retaining ring	112.00
19	R0465600	Bulkhead assy w/O-ring - CV only	CALL
20	R0465500	Anchor bracket (4)	CALL
21	R0465400	Tank bottom assy w/O-ring - CV only	CALL
22	R0466500	Tank bottom assy w/O-ring - CL only	630.00
23	R0461800	Universal half unions (set of 2) and drain plug assy	114.04
24	R0522900	Universal half union (1) - CV only	CALL
24	R0465600	Bulkhead assembly w/O- ring - CL only	CALL
25	R0523000	Drain cap assembly	CALL
26	R0522900	Universal half union (1) - CL only	CALL

CL Series filter



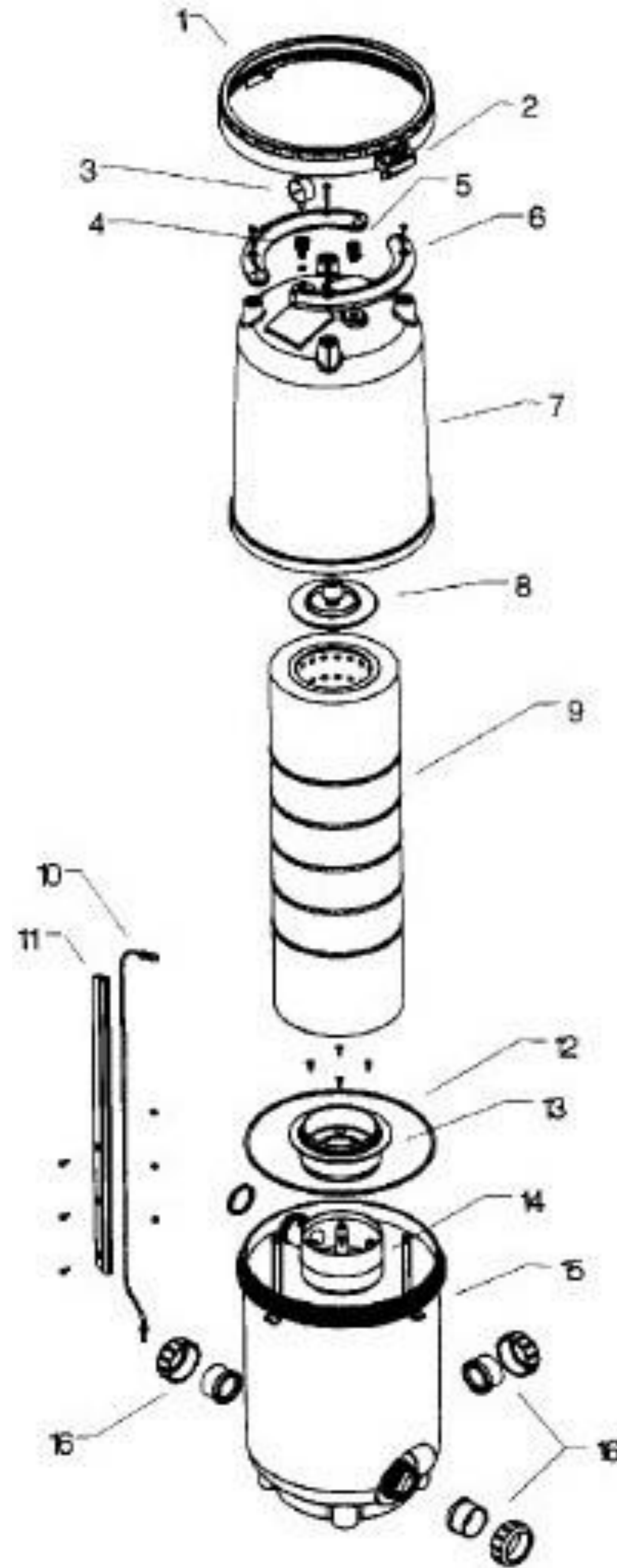
CV Series filter





JANDY CJ CARTRIDGE FILTER PARTS

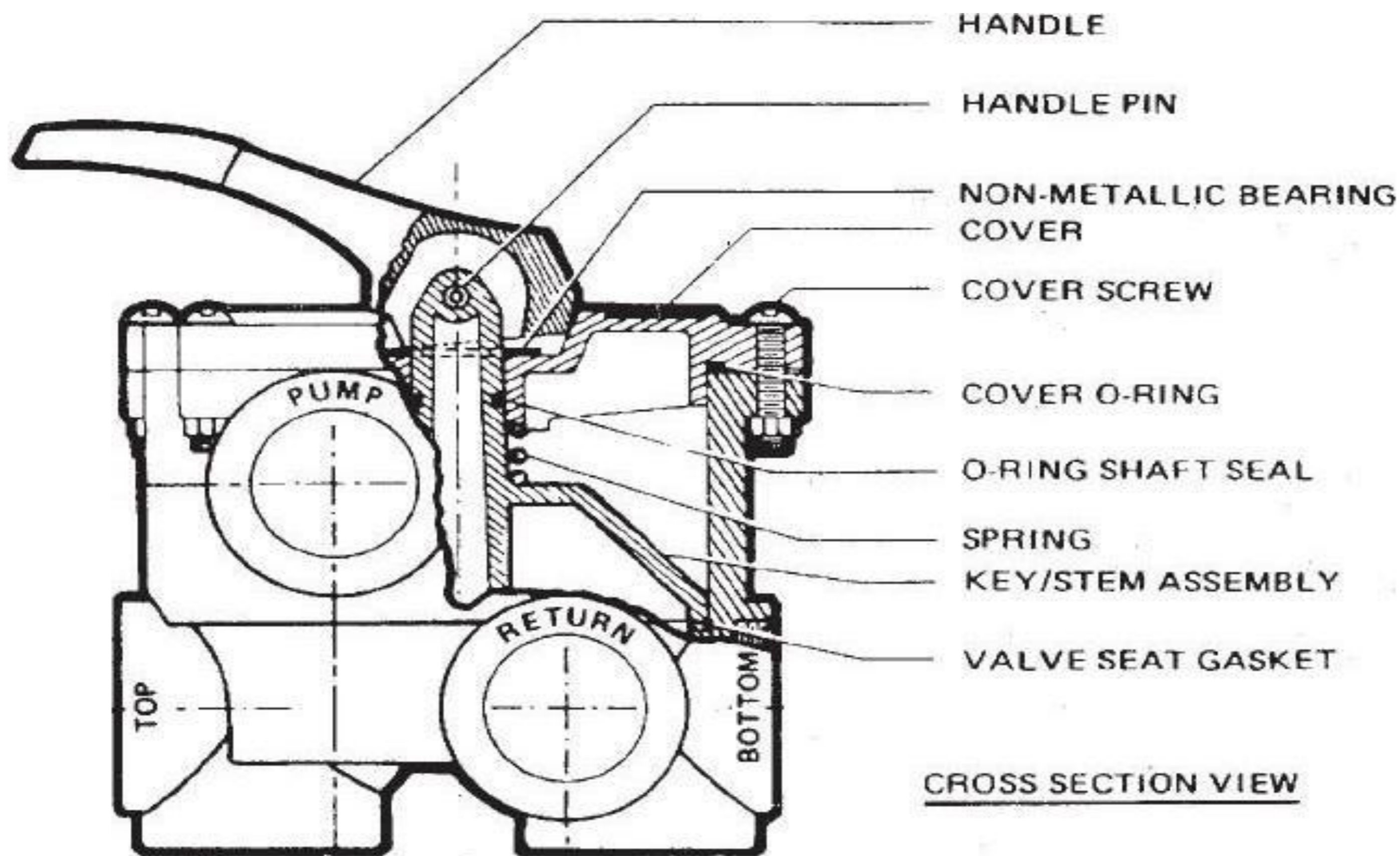
Item #	Part No.	Description	List Price
1	R0557500	Locking ring	CALL
2	R0557400	Locking ring safety latch	CALL
3	R0556900	Pressure gauge	CALL
4	R0552000	Pressure gauge/air release adapter w/O-ring	29.12
4	R0557100	Pressure gauge adapter	CALL
5	R0557200	Air release valve	26.00
6	R0557300	Handle w/screws (set of 2)	CALL
7	R0559701	Upper tank body assembly, CJ200	CALL
7	R0559702	Upper tank body assembly, CJ250	CALL
8	R0557600	Upper bearing assembly	CALL
9	R0556700	Filter cartridge CJ250	CALL
9	R0556800	Filter cartridge CJ200	CALL
10	R0557700	Breather tube CJ250	CALL
10	R0557701	Breather tube CJ200	CALL
11	R0557801/02	Obsolete air breather tube	NA
12	R0557900	Tank O-ring	CALL
13	R0558000	Cartridge to plenum adapter w/screws	CALL
14	R0558100	Plenum w/gasket	CALL
15	R0410000	Tank bottom w/retaining ring	CALL
16	R0461800	Half unions w/O-rings (3) and drain plug cap	114.04
17	R0395100	Anchor brackets (set of 4)	CALL
	R0558200	Half unions w/O-rings (3) and drain plug cap for older CJ filters (serial # lower than 106SD0001)	CALL
	R0558300	O-ring replacement kit	CALL
	R0558500	Hardware kit	CALL
	R0558400	Accessory bag w/ half unions (2), pressure gauge, pressure relief valve	CALL
	R0560600	Safety label kit	CALL





HAYWARD SP710, 710X, 711, 712, 1-1/2" VARI-FLO VALVE PARTS

Part No.	Description	List Price
SPX0710XF	Handle	CALL
SPX0710XZ7	Handle Pin	CALL
SPX0710Z16	Non-Metallic Bearing	CALL
SPX0710XZ3	Cover O-Ring	CALL
SPX0735GA	O-Ring/Teflon Shaft Seal	5.90
SPX0710Z1A	Cover Screw with Nut (Set of 6 each)	CALL
SPX0603S	Spring	CALL
SPX0710Z62	Spring Washers Set of 2	CALL
SPX0710K	Drain Plug	CALL
SPX0710XD	Valve Seat Gasket 5 Spoke	CALL
SPX0710XC	Key/Stem Assembly - Noryl	CALL
SPX0710XBA	Key Cover and handle assembly, white	103.74
SPX0710XBA17	Key Cover and handle assembly, black	CALL
SPX0710MA	Sight Glass (For Hayward Valve)	12.76
SX200Z9	Gasket for Threaded Sight Glass	CALL
SPX0710XALLAA	Valve Body Only, 6 thrd 1 1/2 FIP Openings	CALL
SPX0710X32AA	Valve Body Only, w/Pipes and Locknuts for S200, S240 Only	CALL
SPX0710X62AA	Valve Body Only, w/Pipes and Locknuts for Pro Series Side Mount	CALL
SPX0712AA	Valve Body Only, Top Mount Threaded for Hayward Filters	CALL

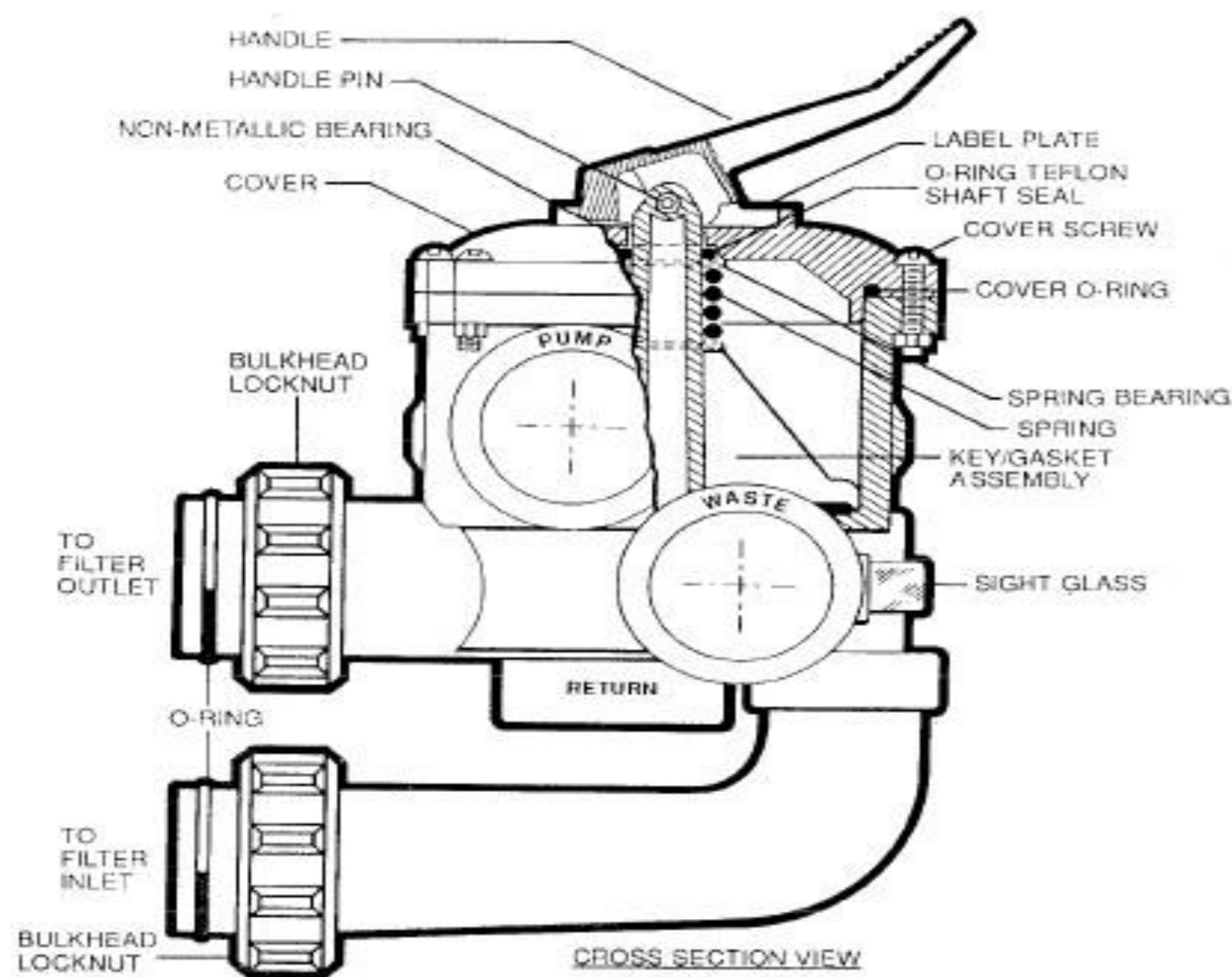
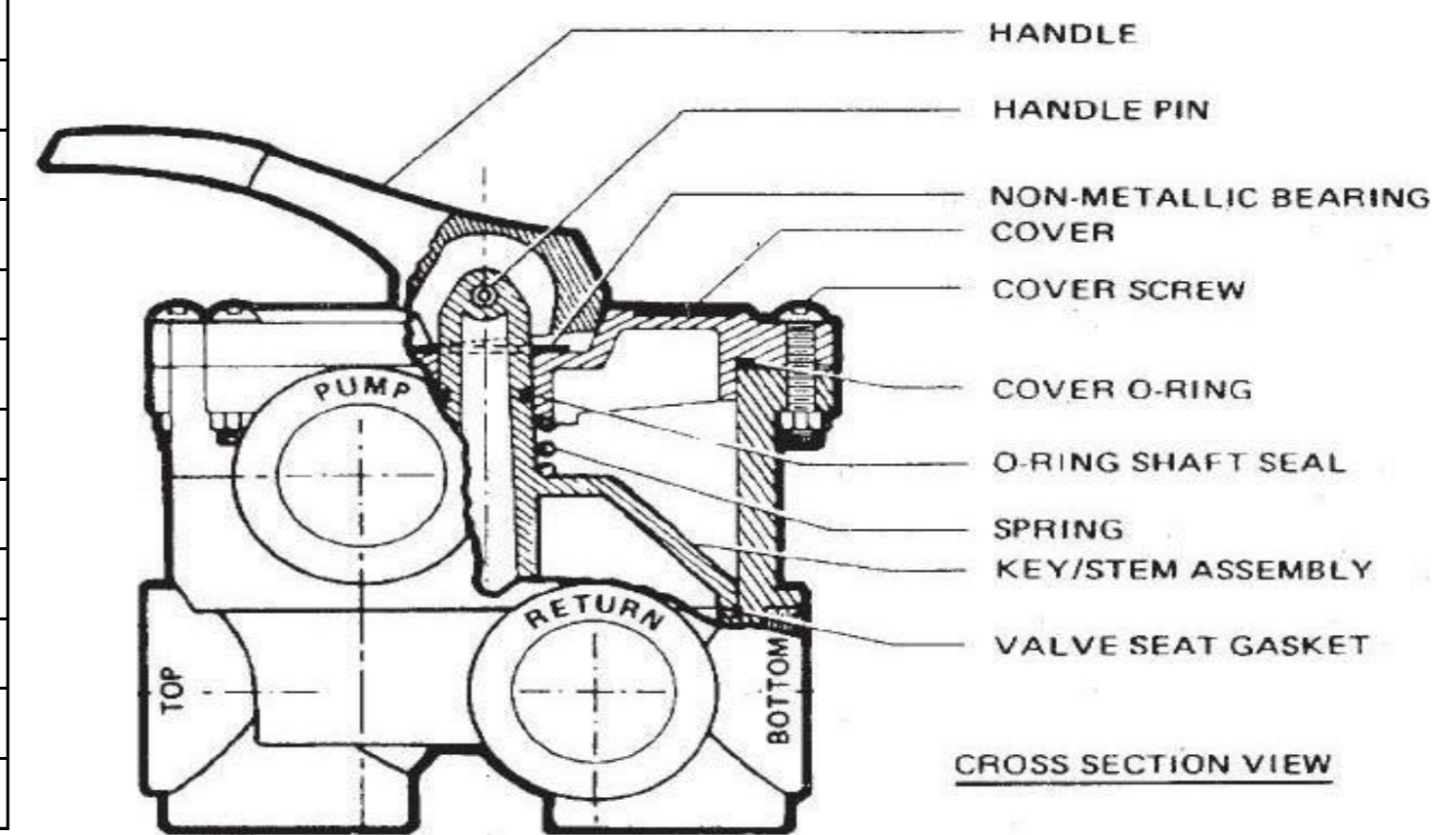




HAYWARD SP0715, SP0716, and SP074DE MULTIPOINT VALVE PARTS

SP0715, SP0716 2" Vari-Flo Valve

Part No.	Description	List Price
SPX0710FL	Handle, Large	CALL
SPX0715F	Handle, Standard	CALL
SPX0710XZ7	Handle Pin	CALL
SPX0710Z16	Non-Metallic Bearing	CALL
SPX0710Z1A	Cover Screw w/Nut (Set of 6 Each)	CALL
SPX0715Z1	Cover O-Ring	CALL
SPX0603S	Spring	CALL
SPX0710Z62	Spring Washers (Set of 2)	CALL
SPX0735GA	O-Ring Shaft Seal Assembly (2 Req. for Each Valve)	5.90
SPX0710K	1/4" Plastic Pipe Plug	CALL
SPX0715D	Valve Seat Gasket	26.32
SPX0715C	Key/Stem Assembly - Noryl	CALL
SPX0715BA	Key Cover & Handle Assembly, White	144.00
SPX0715BA3	Key Cover & Handle Assembly, Black	CALL
SPX0715ALLAA	Valve Body w/Gasket & Sight Glass - Style "All"	CALL
SPX0715XR50AA	Valve Body w/Gasket & Sight Glass	CALL
SPX0710MA	Sight Glass (for Hayward Valve)	12.76
SX200Z9	Gasket for Threaded Sight Glass	CALL



SP0740DE 2" Select-Flo Valve

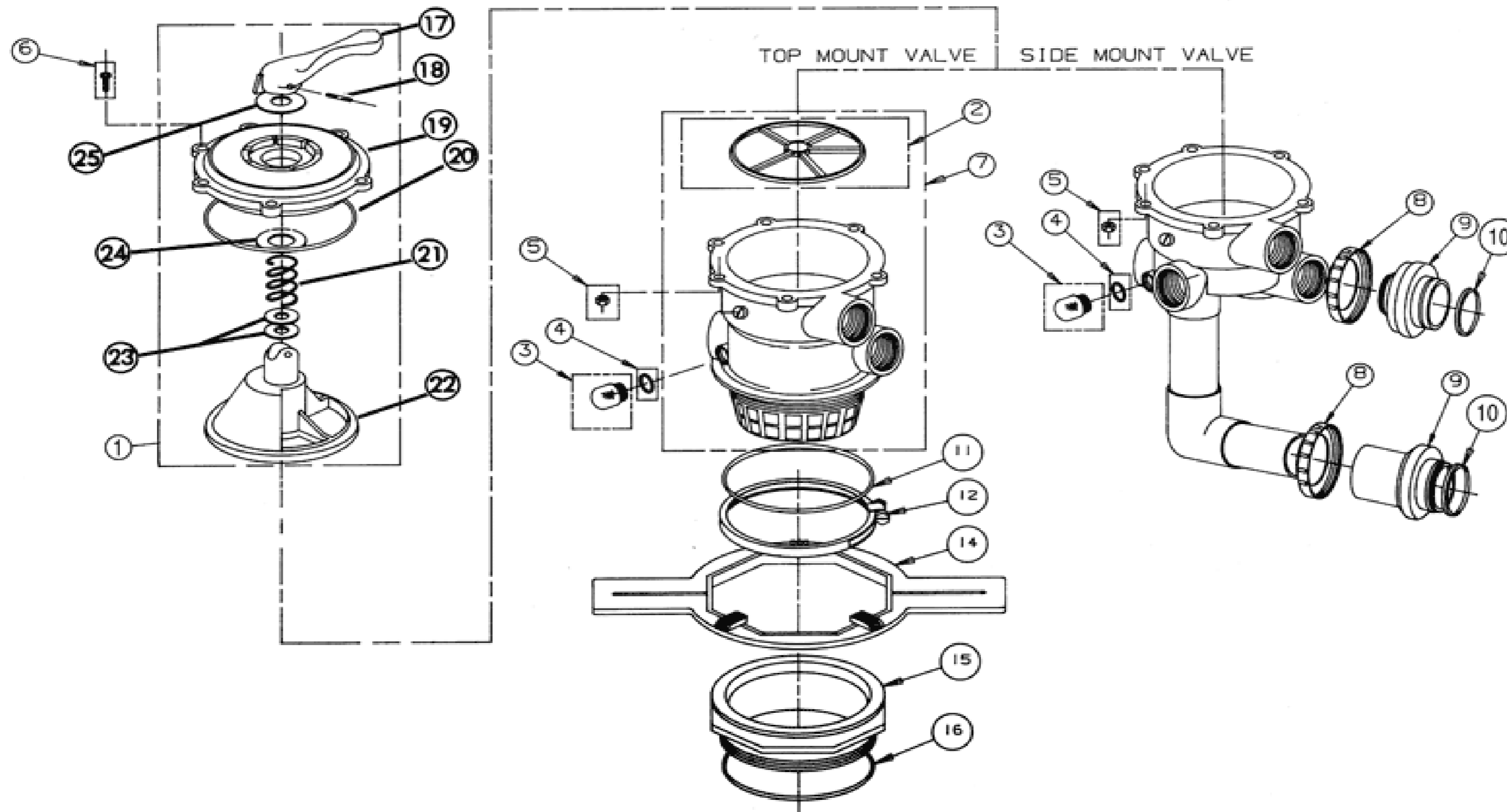
Part No.	Description	List Price
SPX0710FL	Handle, Large	CALL
SPX0710XZ7	Handle Pin	CALL
SPX0710Z16	Non-Metallic Bearing	CALL
SPX0740B	Cover	CALL
SPX0710Z1A	Cover Screw w/Nut (Set of 6 Each)	CALL
SPX0715Z1	Cover O-Ring	CALL
SPX0603S	Spring	CALL
SPX0704HA	O-ring/Teflon Shaft Seal	CALL
SPX0710Z62	Spring Washers (Set of 2)	CALL
SPX0740D	Valve Seat Gasket	CALL
SPX0740C	Key/Stem Assembly	CALL
SPX0740BA	Key, Cover, Handle Assembly	158.00
SPX0740AA	Valve Body w/Gasket & Sight Glass - w/Tank Piping and Locknuts	CALL



PENTAIR TOP MOUNT / SIDE MOUNT MULTIPORT VALVE PARTS

Item #	Part No.	Description	List Price
1	270068	Top valve assy. 1-1/2 in.	161.12
1	270067	Top valve assy. 2 in.	185.50
2	271104	Gasket diverter, 1-1/2 in.	CALL
2	271148	Spider gasket diverter, 2 in.	CALL
3	272550	Sight glass	CALL
4	271106	Gasket - sight glass	CALL
5	152167	Nut M6 s/s, 6 req.	CALL
6	152168	Screw M6 x 30mm s/s, 6 req.	CALL
7	271145	Body - replacement w/ diffuser 1-1/2 in.	CALL
8	274407	Nut - bulkhead adapter, 2 req.	CALL
9	274404	Adapter valve, slip 1-1/2 in.	CALL
9	274651	Adapter valve, threaded 1-1/2 in.	CALL
9	274556	Adapter valve, thread, 2 in.	CALL
10	274494	O-ring adapter, 2 req.	CALL
11	272541	O-ring valve adapter, 1-1/2 in.	10.80
11	275333	O-ring valve, 2in.	CALL
12	152165	Clamp with screws and nuts 1-1/2 in.	31.00
12	152130	Band assy. valve, 2 in.	106.06
14	154512	Wrench flanged valve, 1-1/2 in.	28.50
14	151608	Wrench adapter flange	CALL
15	155225	Adapter flanged std. thread, 1-1/2 in.	CALL
15	154555	Adapter flange buttress thread, 2 in.	CALL

Item #	Part No.	Description	List Price
16	154493	O-ring flanged valve adapter, 1-1/2 in.	CALL
16	152501	O-ring adapter, 2 in.	CALL
17	271156	Handle	CALL
18	271164	Pin, handle	CALL
19	271158	Valve top, white, 1-1/2 in.	CALL
19	271165	Valve top, black, 1-1/2 in.	CALL
19	271166	Top valve cover black, 2 in.	CALL
19	271169	Top valve cover black, 2 in.	CALL
20	271103	O-ring, valve top 1-1/2 in.	CALL
21	271161	Valve spring	41.14
22	271163	Valve diffuser 1-1/2 in.	CALL
23	191479	O-ring stem, 2 req.	CALL
24	271160	Washer valve spring	9.00
25	271157	Washer, handle	9.00



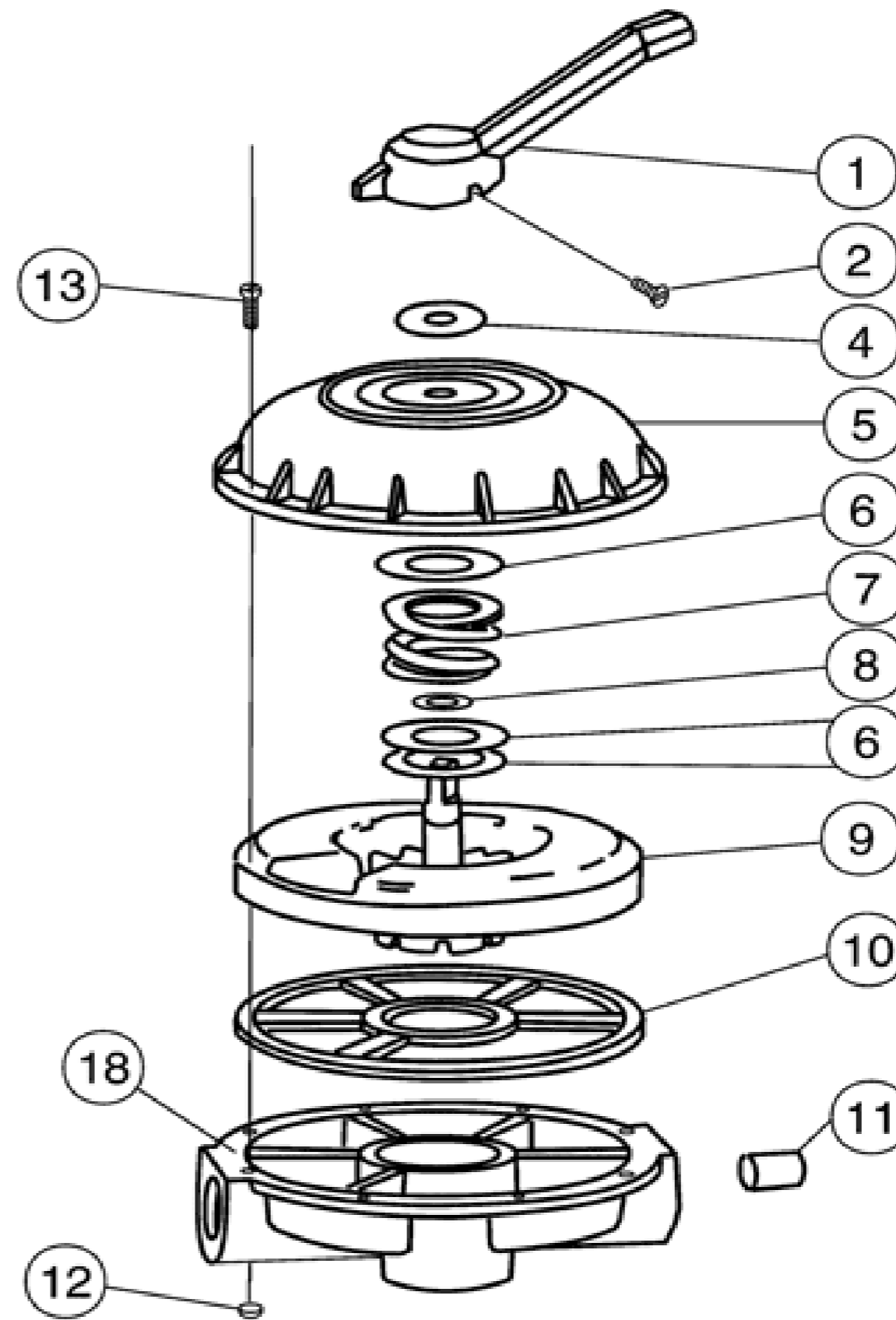
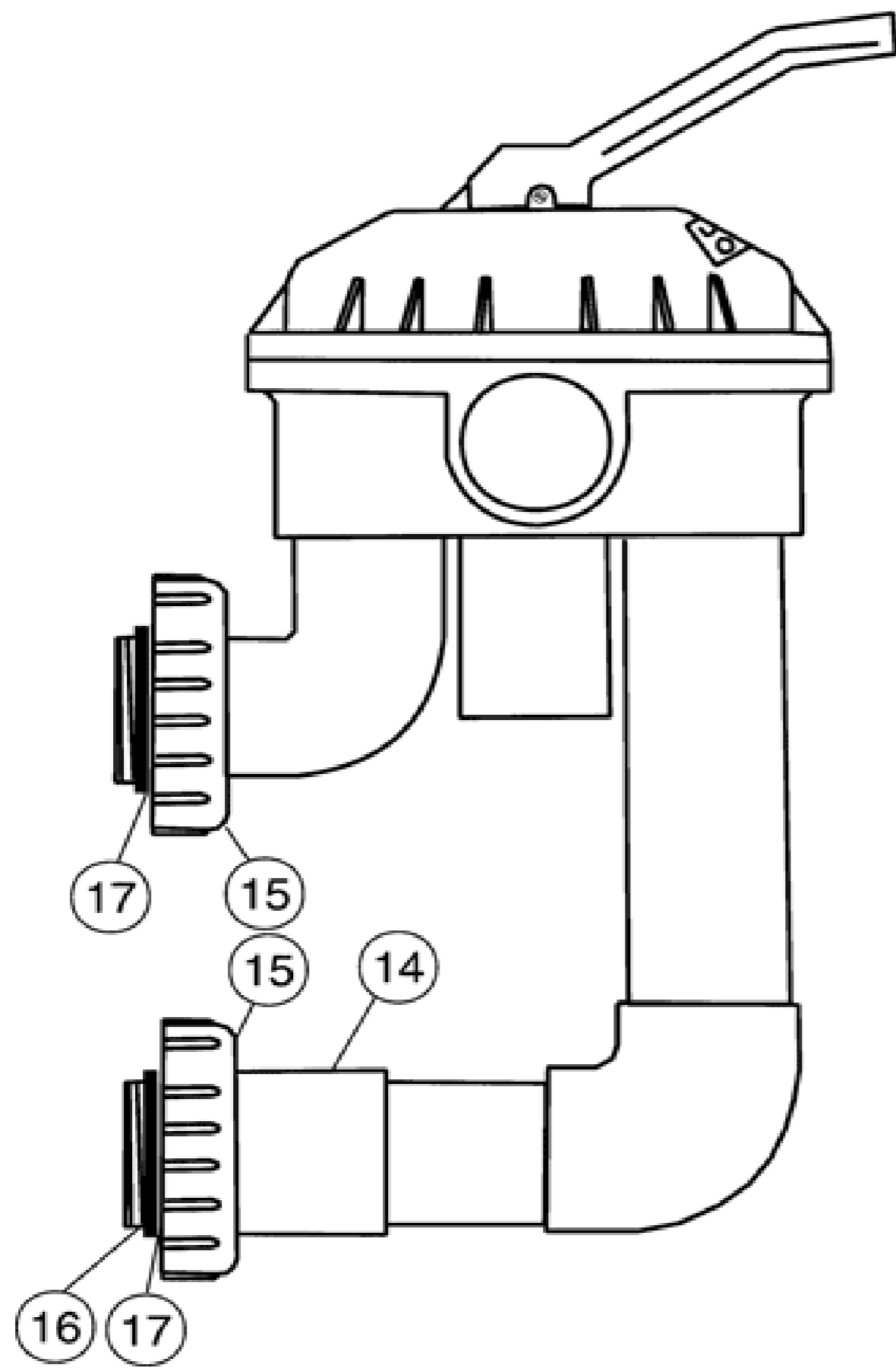


PENTAIR HI-FLOW MULTIPORT VALVE PARTS

Item #	Part No.	Description	List Price
1	272520	Handle	25.00
2	272405	Screw - Handle	CALL
4	272402	Washer - Plastic	CALL
5	272412	Valve Top	CALL
6	272401	Washer - 1/32 in., 3 req.	CALL
7	272400	Spring - Compression	9.00
8	JV18	O-ring bag kit	CALL
9	272413	Diverter	CALL
9A	272422	Valve top assy. ¹	168.90
10	272409	Seal - Diverter	CALL
11	154566	Sight Glass 2 in. clear	CALL
12	98211400	Nut ,1/4-20 Hex, 8 req.	CALL
13	272403	Screw 1/4 in.- 20 8 req.	CALL
14	274400	Coupling - 2 in. PVC	CALL
15	274407	Nut - bulkhead adapter, 2 req. 2 req.	CALL
16	274404	Adapter bulkhead	CALL
17	274494	O-ring bulkhead adapter 2 req.	CALL
18	272433	Valve btm. 2 in. w/gasket ²	CALL

1: This part number includes items 1 thru 9

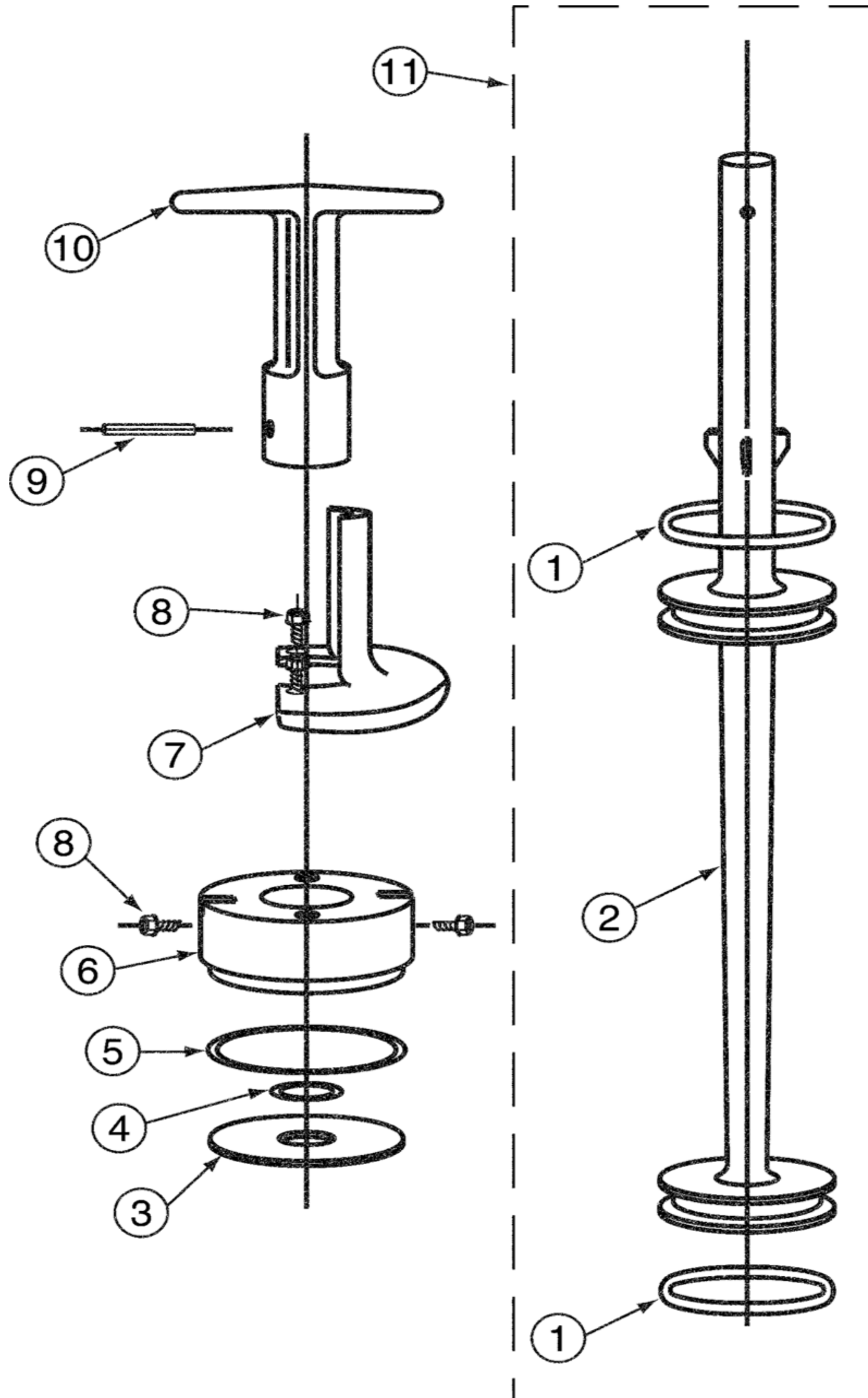
2: 272433 valve btm. 2 in. w/ gasket contains one each of: 272409 seal diverter and 272415 Plate 2 in. valve btm.





PENTAIR TOP MOUNT / SIDE MOUNT MULTIPOINT VALVE PARTS

Item #	Part No.	Description	List Price
1	273090	O-ring - 1-1/2 in. i.d. x 3/16 in. dia. 2 req.	CALL
2	273106	Piston Shaft	CALL
4	JV18	O-ring Kit	CALL
5	273062	O-ring 2-1/8 in. i.d. x 1/8 in. dia.	CALL
6	273077	Plug - 5/8 in. i.d. x 2-3/8 in. o.d.	CALL
7	273064	Position Bracket	CALL
8	273071	Screw - #14 - 18-8 s/s, 4 req.	CALL
9	273063	Pin - 1/8 in. dia. x 1-1/8 in. long s/s.	CALL
10	273089	Handle for plastic shaft - 5/8 in. i.d.	17.90
11	273241	Piston rod assy.	96.00
	154566	Sight Glass 2 in. clear	CALL



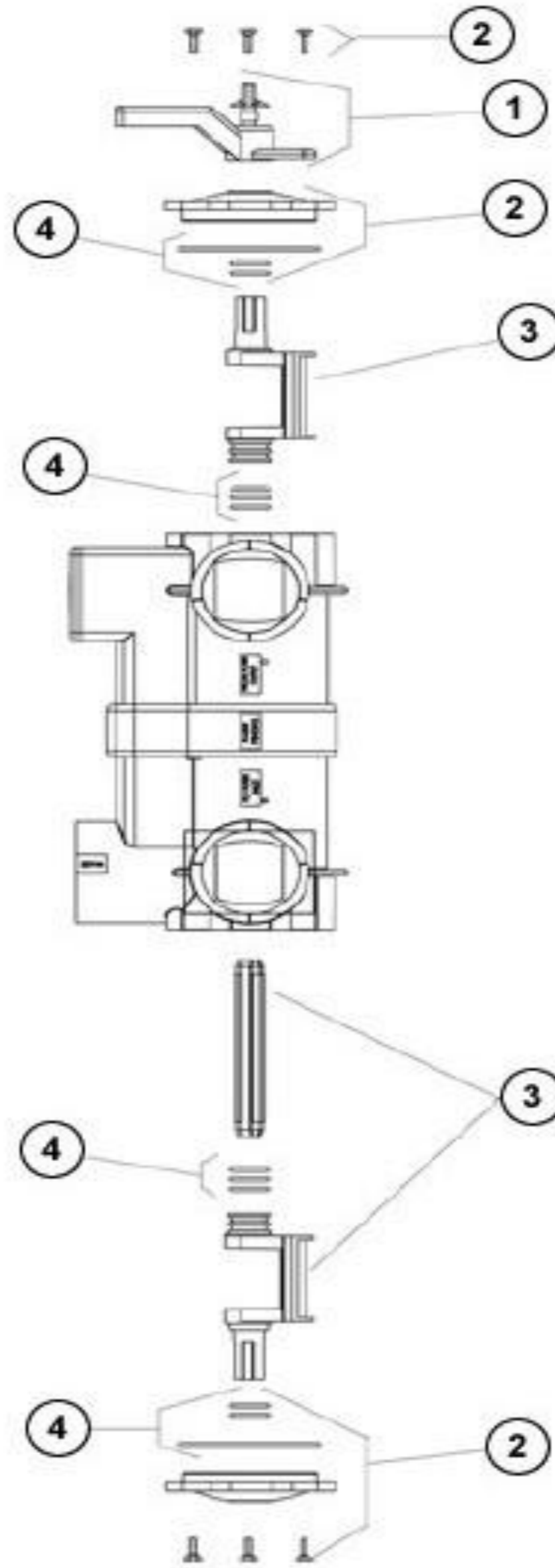


JANDY NEVER LUBE BACKWASH VALVE PARTS

Item #	Part No.	Description	List Price
1	R0552100	Handle kit - includes (1) locking knob and (1) Never Lube black handle	CALL
2	R0552200	Cover kit - includes (1) valve cover top, (1) valve cover bottom, (2) cover and bottom O-rings, (4) shaft O-rings, (16) screws and instructions	CALL
3	R0552300	Diverter kit - includes (1) diverter shaft, (1) diverter assembly top (blue seal), (1) diverter assembly bottom (black seal), and installation manual	131.02
4	R0552400	O-ring kit - includes (2) Par ring, (2) lid O-ring, (8) shaft O-rings, instructions	CALL
5	R0413900	Plumbing kit includes (2) universal union nuts, (2) coupling O-rings, (1) 2" x 3.34" tailpiece, (1) 2" x 2.97" tailpiece	CALL

Jandy Neverlube Backwash Valve Parts

Models 8034, 8034J, BWVL-NVL





LETRO LEGEND 4-WHEEL LL105 POOL CLEANER

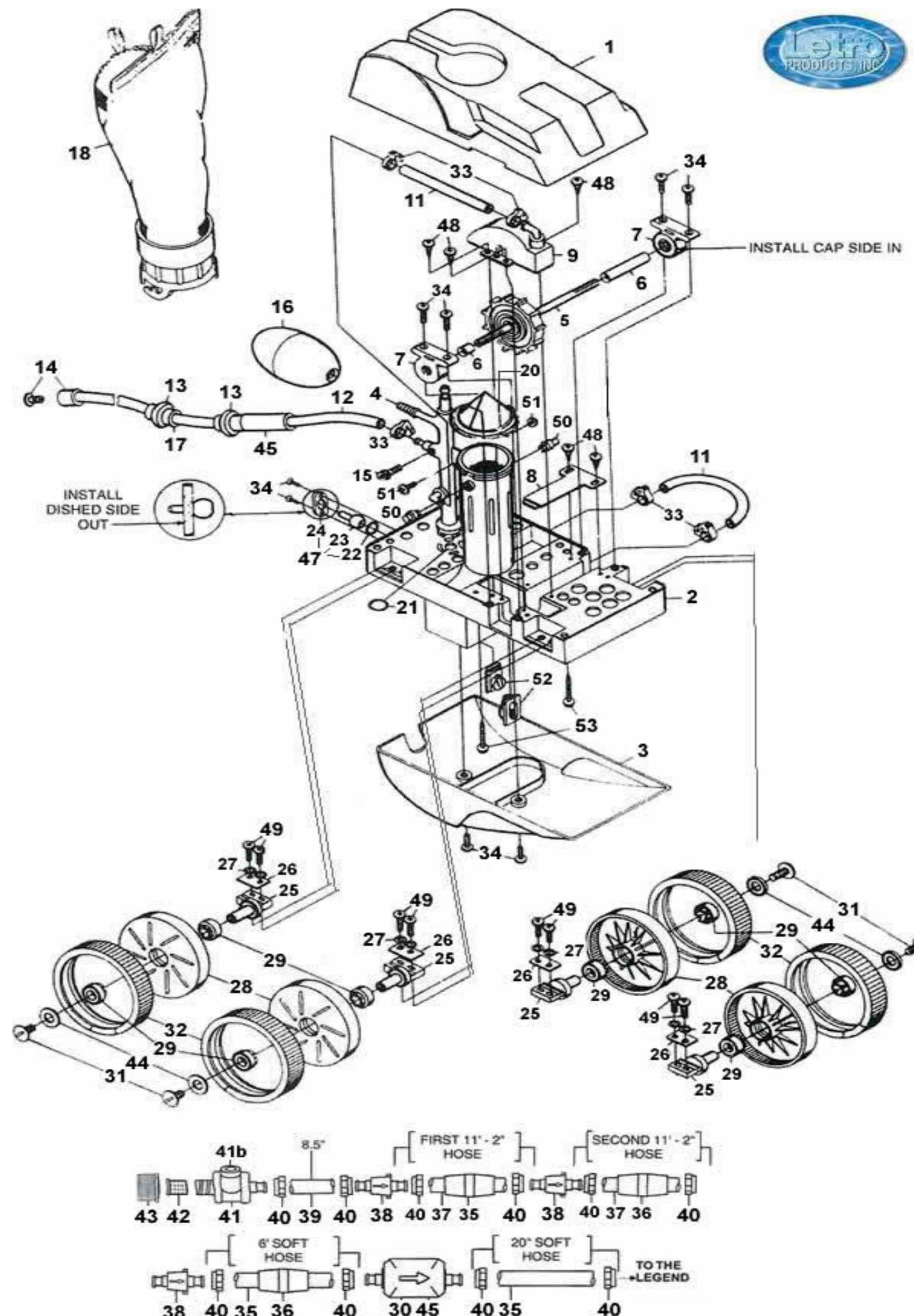
Item #	Part No.	Description	List Price
1	LLUSNG	Top Cover-Grey	CALL
2	LLU14N	Main Frame	CALL
3	EU10N	Bottom Cover-White	CALL
4	LLU6	Feed Mast w/O-ring	51.42
5	EC86	Turbine Drive Shaft-Complete	CALL
6	EC83	Turbine Spacers-Set 1 Long, 1 Short	CALL
7	EC80	Turbine Bearings	CALL
8	EA40	Turbine Shaft Shield	CALL
9	EC110	Turbine Cover W.Elbow	17.10
11	EC120	Hose-7-3/4 In. Length	CALL
12	EB5L	Sweep Hose-Complete	CALL
13	EB10	Sweep Hose-Wear Ring	CALL
14	EB25	Sweep Hose-Jet W/Collar	CALL
15	EB20	Sweep House Adjustment Screw, White	CALL
15	370198	Sweep Hose-Adjustment Screw	
16	EA20	Ballet Float(White)	CALL
17	EH07	Sweep Hose - Hose sleeve	CALL
18	360002	Debris Bag With Snaplock	CALL
18	EU15	Coarse Mesh Bag(Optional)	CALL
20	EU9	Debris Valve	5.60
21	EU7	O-Ring For Feed Mast	CALL
22	E18	O-Ring For Thrust Jet	CALL
23	EC130	Thrust Jet	CALL
24	EC135	Thrust Jet-Plate	CALL
25	EC65	Axle-Large Wheels	7.16
26	EC70	Axle-Plate	CALL
27	EC45	Axle-Lock Washer	CALL
28	EC6L	Wheel w/o Bearings	CALL
29	EC60	Wheel Bearings Only	CALL
30	E10	Back-Up Valve	CALL
31	EC55	Wheel Screw-Plastic	CALL
32	LLC1	Wheel-Rubber Tire	15.70
32	360007	Wheel-Rubber Tire	CALL
33	EB15	Hose Clamp	CALL
34	EC40	Screw	CALL
35	ED50	Feed Hose-Clear Soft-7Ft-8 In	CALL
36	ED10P	Float-Feed Hose	CALL
37	ED45	Feet Hose-White-11Ft-2In	CALL
38	ED05	Swivel-Feed Hose	13.90
39	LLU1	Adapter Hose-White-8-1/2 In	CALL
40	ED15	Mender Nut-Plastic-Feed Hose	CALL

Item #	Part No.	Description	List Price
41	EW22	Wall Fitting-Complete	39.90
41	E25	Pressure Relief Valve For Wall Fitting	CALL
42	E24	Screen-Wall Fitting	CALL
43	E23	Quick Disconnect Adapter	CALL
44	EC64	Wheel-Plastic Washer	CALL
46	EG15	Gears-For Back-Up Valve	CALL
47	EC131	Thrust Jet Repair Kit Includes E18,EC120,EC135	CALL
48	EA30	Screw For Ea40 And Ec110	CALL
49	EU76	Axle Bolt	CALL
50	EU147	Snap Fit Vac Tube Posts	CALL
51	EU79	Nut & Bolt-Feed Mast To Vac Tube	CALL
52	LLU8	Venturi Jet	CALL
53	EU80	Screw-Cover To Frame	CALL
BACK-UP VALVE PARTS (#30 on schematic)			
	E11	Housing Body	CALL
	E12	Housing Top	CALL
	E13	O-Ring For Housing Body	CALL
	E14	O-Ring For Gear Assembly	CALL
	E15	Screw For Housing Body 6 Pk.	CALL
	EG15	Gears-For Back-Up Valve	CALL
WALL FITTING PARTS - EW22 (#41 on schematic)			
	E21	O-Ring For Wall Fitting 2 PI	CALL
	E25	Pressure Felief Valve	CALL
	E24	Screen-Wall Fitting	CALL
	E23	Quick Disconnect Adapter	CALL
NOT SHOWN			
	LLU82	Snap Fittings	CALL
	370017	Sweep Hose Scrubber	CALL
	JVP8	Pressure Stick W/O Gauge	CALL
	15060-0000T	Pressure Guage	CALL
	EU13	Step Deflector	CALL



LEGEND TUNE-UP KIT - LL205N		
LL205N	Kit Includes	CALL FOR List Price
EU16	FINE MESH BAG	***
EU9	DERIS VALVE	***
EC80	TURBINE BEARINGS 2PK	***
EC60	WHEEL BEARINGS 2PK	***
EC86	TURBINE SHAFT-COMplete	***
EB5L	SWEEP TAIL-COMplete	***
EC6L	WHEEL (LARGE)	***
LLC1	TIRES (4WHEELS ONLY)	***
LL206N KIT INCLUDES CALL FOR List Price		
EU16	FINE MESH BAG	***
EC86	TURBINE SHAFT COMPLETE	***
EC65	AXLES	***
EU9	DEBRIS VALVE	***
EB5L	SWEEP HOSE W/CLAMP	***
EC80	TURBINE BEARINGS 2PK	***
EC6L	WHEEL (LARGE)	***
LLC1	TIRES (4WHEEL ONLY)	***
EC60	BEARINGS 2PK	***
EA20	BALLAST FLOAT (WHITE)	***

LEGEND HOSE KIT - LL209		
LL209	KIT INCLUDES	CALL FOR List Price
D45	WHITE FEED HOSE 10 IN	***
D50	CLEAR FEED HOSE 10 IN	***
ED10P	FLOATS	***
D05	SWIVELS	***
E10	BACK UP VALVE	***
LLU1	ADAPTOR-HOSEWHITE 8-1/2 IN	***
ED15	MENDER NUTS	***
EW22	WALL FITTING-COMplete	***
EB10	WEAR RING	***





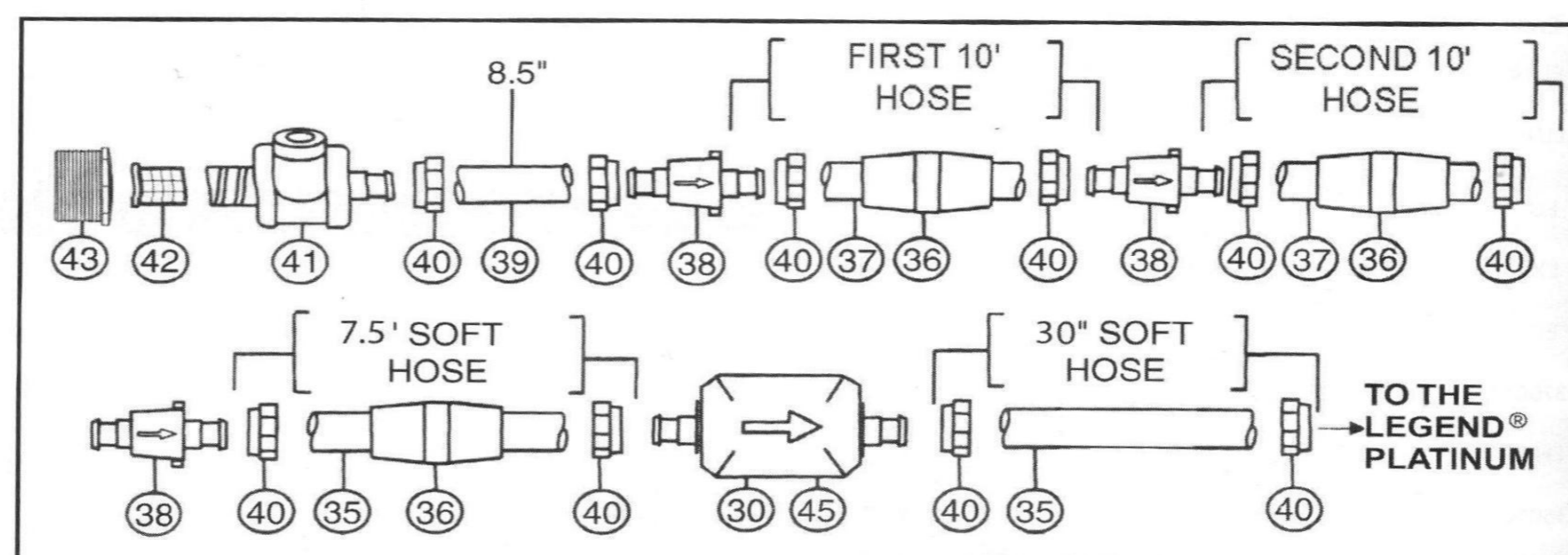
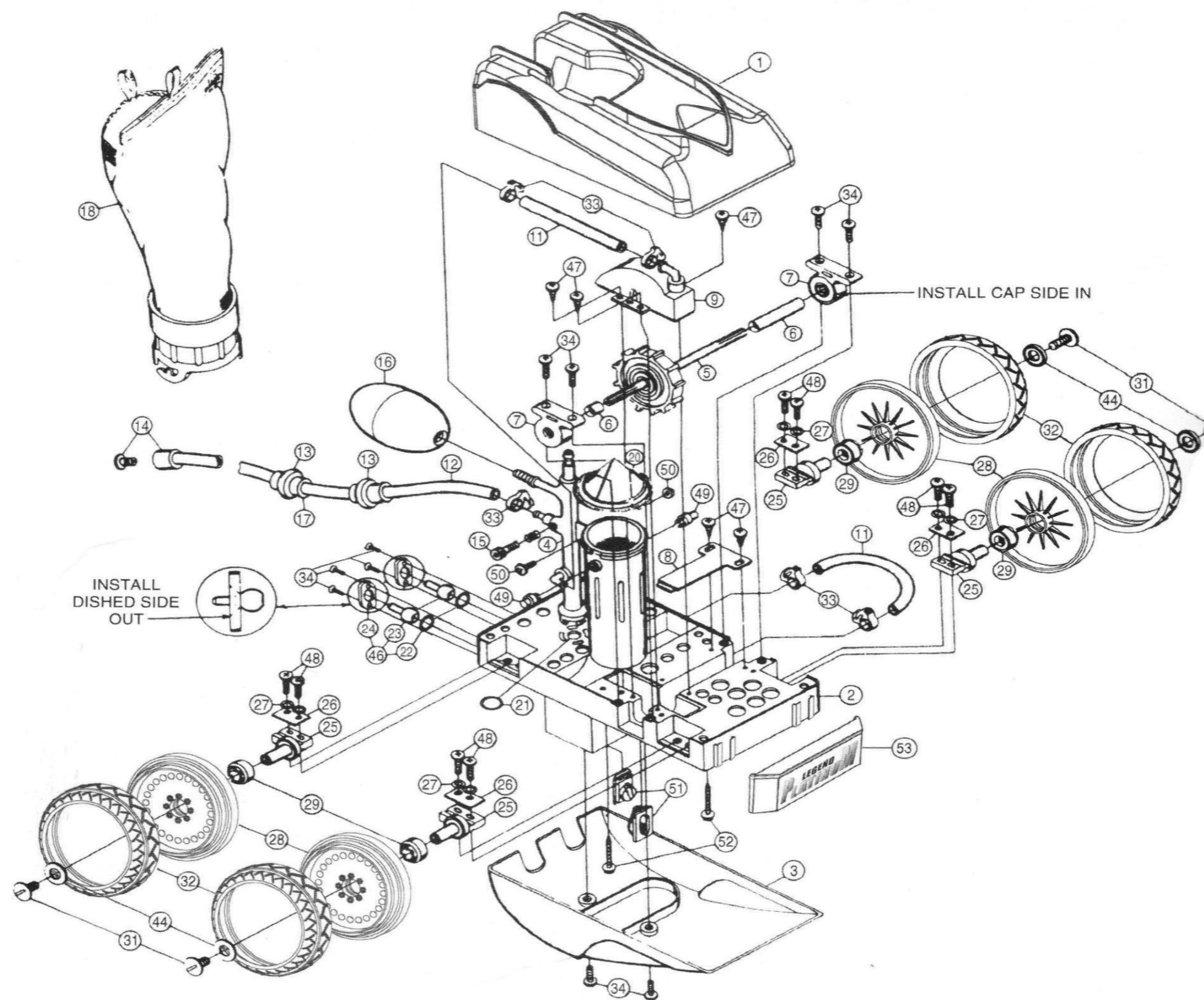
Item #	Part No.	Description	List Price
1	LLU5PMTY	Top Cover-Grey	CALL
	LLU5PMTY	Top Cover-Yellow - Platinum Truck series	CALL
	LLU5PMTR	Top Cover - Red - Platinum Truck series	CALL
	LLU5PMTG	Top Cover - Gray - Platinum Truck series	CALL
	LLU5PMTW	Top Cover - White - Platinum Truck series	CALL
2	LLU145NPMG	Main Frame - Grey	CALL
	LLU145NPM	Main Frame - White	
3	EU1ON	Bottom Cover-White	CALL
	LLU10NG	Bottom Cover-Grey	CALL
4	LLU6	Feed Mast w/O-ring - White	51.42
	LLU6G	Feed Mast w/O-ring - Gray	CALL
5	EC86	Turbine Drive Shaft-Complete	CALL
6	EC83	Turbine Spacers-Set 1 Long, 1 Short	CALL
7	EC80	Turbine Bearings	CALL
8	EA40	Turbine Shaft Shield	CALL
9	EC110	Turbine Cover w/Elbow	16.10
11	EC120	Hose-7-3/4 In. Length	CALL
	LLC120G	Hose-7-3/4 In. Length - Gray	CALL
12	EB5L	Sweep Hose-Complete	CALL
	LLB5G	Sweep Hose-Complete - Gray	CALL
13	EB10	Sweep Hose-Wear Ring	CALL
14	EB25	Sweep Hose-Jet W/Collar	CALL
	LLB25PM	Sweep Hose-Jet W/Collar - Gray	
15	EB20	Sweep House Adjustment Screw, White	CALL
15	370198	Sweep Hose-Adjustment Screw	
16	EA20	Ballast Float(White)	CALL
	LLA20G	Ballast Float(Gray)	CALL
17	EH07	Sweep Hose-Hose Sleeve-White	CALL
	LLH07PM	Sweep Hose-Hose Sleeve-Gray	CALL
18	360002	Debris Bag With Snaplock	CALL
	36009	Debris Bag With Snaplock - Gray	CALL
	EU15	Coarse Mesh Bag(Optional) - White	CALL
	EU15G	Coarse Mesh Bag(Optional) - Gray	CALL
20	EU9	Debris Valve	5.60
21	EU7	O-Ring For Feed Mast	CALL
22	E18	O-Ring For Thrust Jet	CALL
23	LLC130PM	Thrust Jet	CALL
	LLC130G	Thrust Jet - Gray	CALL
24	EC135	Thrust Jet-Plate	CALL

Item #	Part No.	Description	List Price
	LLC135G	Thrust Jet-Plate - Gray	CALL
25	EC65	Axle-Large Wheels	7.16
26	EC70	Axle-Plate	CALL
27	EC45	Axle-Lock Washer	CALL
28	LLC6PM	Wheel W/Out Bearings	CALL
	LL6PMG	Wheel W/Out Bearings - Gray	CALL
29	EC60	Wheel Bearings Only	CALL
30	E10	Back-Up Valve	CALL
	LL10PM	Back-Up Valve - Gray	CALL
31	EC55	Wheel Screw-Plastic	CALL
	LLC55PM	Wheel Screw-Plastic - Gray	13.70
32	LLC1PM	Tire-Platinum-White	31.64
32	LLC1PMG	Tire-Platinum-Gray	31.64
33	EB15	Hose Clamp	CALL
34	EC40	Screw	CALL
35	ED50	Feed Hose-Clear Soft-7Ft-8 In	CALL
	LLD50PM	Feed Hose-Clear Soft-7Ft-8 In - Gray	CALL
36	ED10P	Float-Feed Hose	CALL
	LLD10PM	Float-Feed Hose - Gray	
37	ED45	Feed Hose-White-11Ft-2In	CALL
	LLD45PM	Feed Hose-Gray-11Ft-2In	CALL
38	ED05	Swivel-Feed Hose	13.90
	LLD05PM	Swivel-Feed Hose - Gray	
39	LLU1	Adapter Hose-White-8-1/2 In	CALL
	LLU1PM	Adapter Hose-Gray-8-1/2 In	CALL
40	ED15	Mender Nut-Plastic-Feed Hose	CALL
	LLD15PM	Mender Nut-Plastic-Feed Hose - Gray	CALL
41	EW22	Wall Fitting-Complete	38.90
41	E25	Pressure Relief Valve For Wall Fitting	CALL
	LL25PM	Pressure Relief Valve For Wall Fitting - Gray	CALL
42	E24	Screen-Wall Fitting	CALL
43	E23	Quick Disconnect Adapter	CALL
	LL23PM	Quick Disconnect Adapter - Gray	CALL
44	EC64	Wheel-Plastic Washer	CALL
45	EG14	Gears-For Back-Up Valve	CALL
46	EC131	Thrust Jet Repair Kit Includes E18,EC120,EC135	CALL
	LLC131G	Thrust Jet Repair Kit Includes E18,EC120,EC135 - Gray	CALL
47	EA30	Screw For EA40 And EC110	CALL
48	EU76	Axle Bolt	CALL



LETRO LEGEND PLATINUM LL105PM & PLATINUM TRUCK LL105PMT

Item #	Part No.	Description	List Price
49	EU147	Snap Fit Vac Tube Posts	CALL
	LLU147G	Snap Fit Vac Tube Posts - Gray	CALL
50	EU79	Nut & Bolt-Feed Mast To Vac Tube	CALL
51	LLU8	Venturi Jet	CALL
	LLU8G	Venturi Jet - Gray	CALL
52	EU80	Screw-Cover To Frame	CALL
53	LLU81PM	Front Bumper - White	CALL
	LLU81PMG	Front Bumper - Gray	CALL
NOT SHOWN			
	370017	Sweep Hose Scrubber	CALL
	JVP8	Pressure Stick W.O Guage	CALL
	15060-0000T	Pressure Gauge	CALL
	LL209	Complete Hose Kit - White	CALL
	LL209PMG	Complete Hose Kit - Grey	CALL





LETRO LEGEND PLATINUM LL105PM & PLATINUM TRUCK LL105PMT

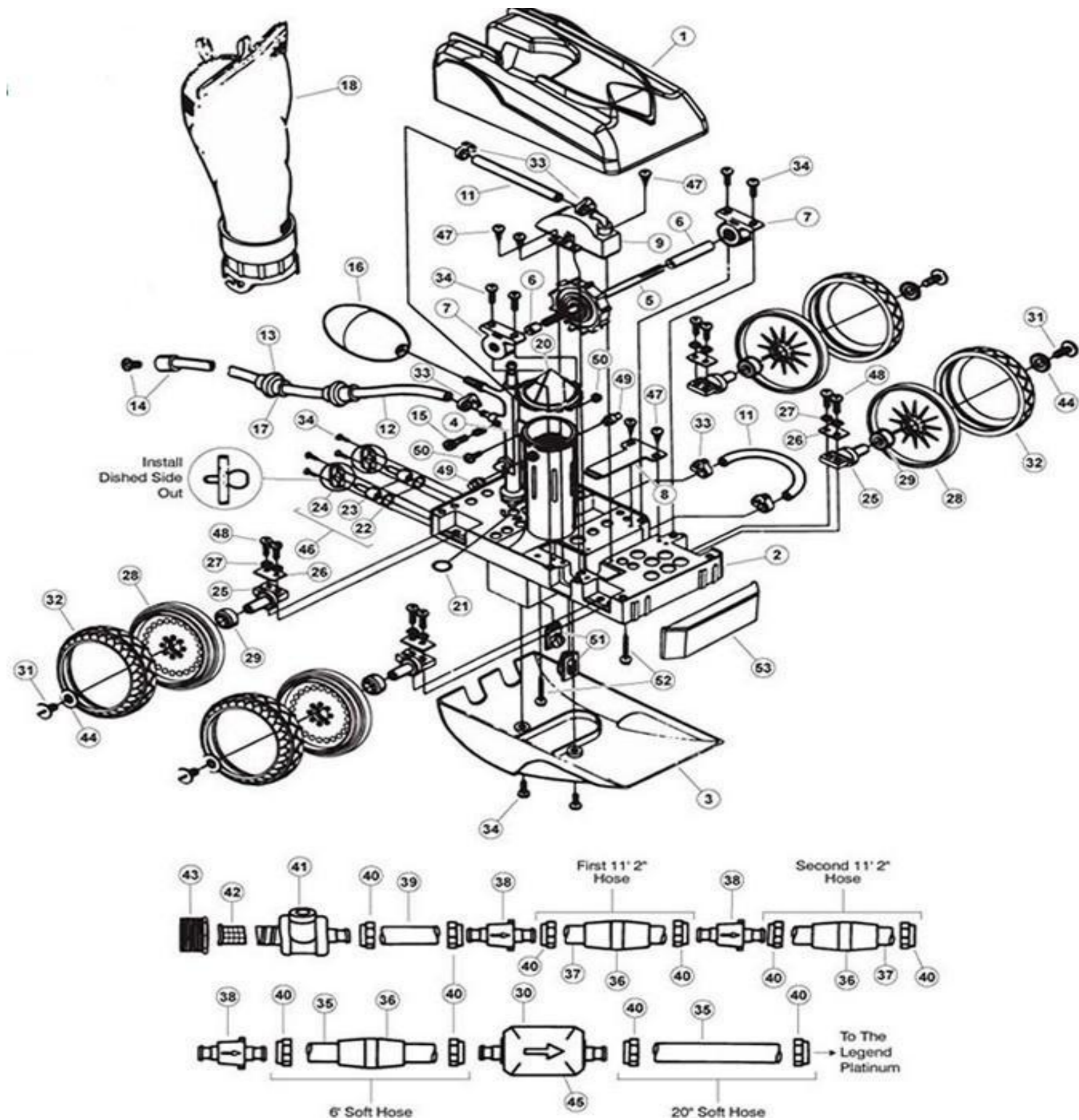
Item #	Part No.	Description	List Price
1	LLU5PMTY	Top Cover-Grey	CALL
	LLU5PMTY	Top Cover-Yellow - Platinum Truck series	CALL
	LLU5PMTR	Top Cover - Red - Platinum Truck series	CALL
	LLU5PMTG	Top Cover - Gray - Platinum Truck series	CALL
	LLU5PMTW	Top Cover - White - Platinum Truck series	CALL
2	LLU145NPMG	Main Frame - Gray	CALL
	LLU145NPM	Main Frame - White	
3	EU10N	Bottom Cover-White	CALL
	LLU10NG	Bottom Cover-Grey	CALL
4	LLU6	Feed Mast w/O-ring - White	51.42
	LLU6G	Feed Mast w/O-ring - Gray	CALL
5	EC86	Turbine Drive Shaft-Complete	CALL
6	EC83	Turbine Spacers-Set 1 Long, 1 Short	CALL
7	EC80	Turbine Bearings	CALL
8	EA40	Turbine Shaft Shield	CALL
9	EC110	Turbine Cover W.Elbow	17.10
11	EC120	Hose-7-3/4 In. Length	CALL
	LLC120G	Hose-7-3/4 In. Length - Gray	CALL
12	EB5L	Sweep Hose-Complete	CALL
	LLB5G	Sweep Hose-Complete - Gray	CALL
13	EB10	Sweep Hose-Wear Ring	CALL
14	EB25	Sweep Hose-Jet W/Collar	CALL
	LLB25PM	Sweep Hose-Jet W/Collar - Gray	
15	EB20	Sweep House Adjustment Screw, White	CALL
15	370198	Sweep Hose-Adjustment Screw	
16	EA20	Ballast Float(White)	CALL
	LLA20G	Ballast Float(Gray)	CALL
17	EH07	Sweep Hose-Hose Sleeve-White	CALL
	LLH07PM	Sweep Hose-Hose Sleeve-Gray	CALL
18	360002	Debris Bag With Snaplock	CALL
	36009	Debris Bag With Snaplock - Gray	CALL
	EU15	Coarse Mesh Bag(Optional)	CALL
	EU15G	Coarse Mesh Bag(Optional) - Gray	CALL
20	EU9	Debris Valve	5.60
21	EU7	O-Ring For Feed Mast	CALL
22	E18	O-Ring For Thrust Jet	CALL

Item #	Part No.	Description	List Price
23	LLC130PM	Thrust Jet	CALL
	LLC130G	Thrust Jet - Gray	CALL
24	EC135	Thrust Jet-Plate	CALL
	LLC135G	Thrust Jet-Plate - Gray	CALL
25	EC65	Axle-Large Wheels	7.16
26	EC70	Axle-Plate	CALL
27	EC45	Axle-Lock Washer	CALL
28	LLC6PM	Wheel W/Out Bearings	CALL
	LL6PMG	Wheel W/Out Bearings - Gray	CALL
29	EC60	Wheel Bearings Only	CALL
30	E10	Back-Up Valve	CALL
	LL10PM	Back-Up Valve - Gray	CALL
31	EC55	Wheel Screw-Plastic	CALL
	LLC55PM	Wheel Screw-Plastic - Gray	CALL
32	LLC1PM	Tire-Platinum-White	31.64
32	LLC1PMG	Tire-Platinum-Gray	31.64
33	EB15	Hose Clamp	CALL
34	EC40	Screw	CALL
35	ED50	Feed Hose-Clear Soft-7Ft-8 In	CALL
	LLD50PM	feed hose-Clear Soft-7Ft-8 In - Gray	CALL
36	ED10P	Float-Feed Hose	CALL
	LLD10PM	Float-Feed Hose - Gray	CALL
37	ED45	Feed Hose-White-11Ft-2In	CALL
	LLD45PM	Feed Hose-Gray-11Ft-2In	CALL
38	ED05	Swivel-Feed Hose	13.90
	LLD05PM	Swivel-Feed Hose - Gray	CALL
39	LLU1	Adapter Hose-White-8-1/2 In	CALL
	LLU1PM	Adapter Hose-Gray-8-1/2 In	CALL
40	ED15	Mender Nut-Plastic-Feed Hose	CALL
	LLD15PM	Mender Nut-Plastic-Feed Hose - Gray	CALL
41	EW22	Wall Fitting-Complete	39.90
41	E25	Pressure Relief Valve For Wall Fitting	CALL
	LL25PM	Pressure Relief Valve For Wall Fitting - Gray	CALL
42	E24	Screen-Wall Fitting	CALL
43	E23	Quick Disconnect Adapter	CALL
	LL23PM	Quick Disconnect Adapter - Gray	CALL



LETRO LEGEND PLATINUM LL105PM & PLATINUM TRUCK LL105PMT

Item #	Part No.	Description	List Price
44	EC64	WHEEL-PLASTIC WASHER	CALL
45	EG14	GEARS-FOR BACK-UP VALVE	CALL
46	EC131	THRUST JET REPAIR KIT INCLUDES E18,EC120,EC135	CALL
	LLC131G	THRUST JET REPAIR KIT INCLUDES E18,EC120,EC135 - GRAY	CALL
47	EA30	SCREW FOR EA40 AND EC110	CALL
48	EU76	AXLE BOLT	CALL
49	EU147	SNAP FIT VAC TUBE POSTS	CALL
	LLU147G	SNAP FIT VAC TUBE POSTS - GRAY	CALL
50	EU79	NUT & BOLT-FEED MAST TO VAC TUBE	CALL
51	LLU8	VENTURI JET	CALL
	LLU8G	VENTURI JET - GRAY	CALL
52	EU80	SCREW-COVER TO FRAME	CALL
53	LLU81PM	FRONT BUMPER REPLACEMENT	CALL
	LLU81PMG	FRONT BUMPER REPLACEMENT - GRAY	CALL
NOT SHOWN			
	370017	SWEEP HOSE SCRUBBER	CALL
	JVP8	PRESSURE STICK W.O GAUGE	CALL
	15060-0000T	PRESSURE GAUGE	CALL
	LL209	STEP DEFLECTOR	CALL
	LL209PMG	STEP DEFLECTOR	CALL





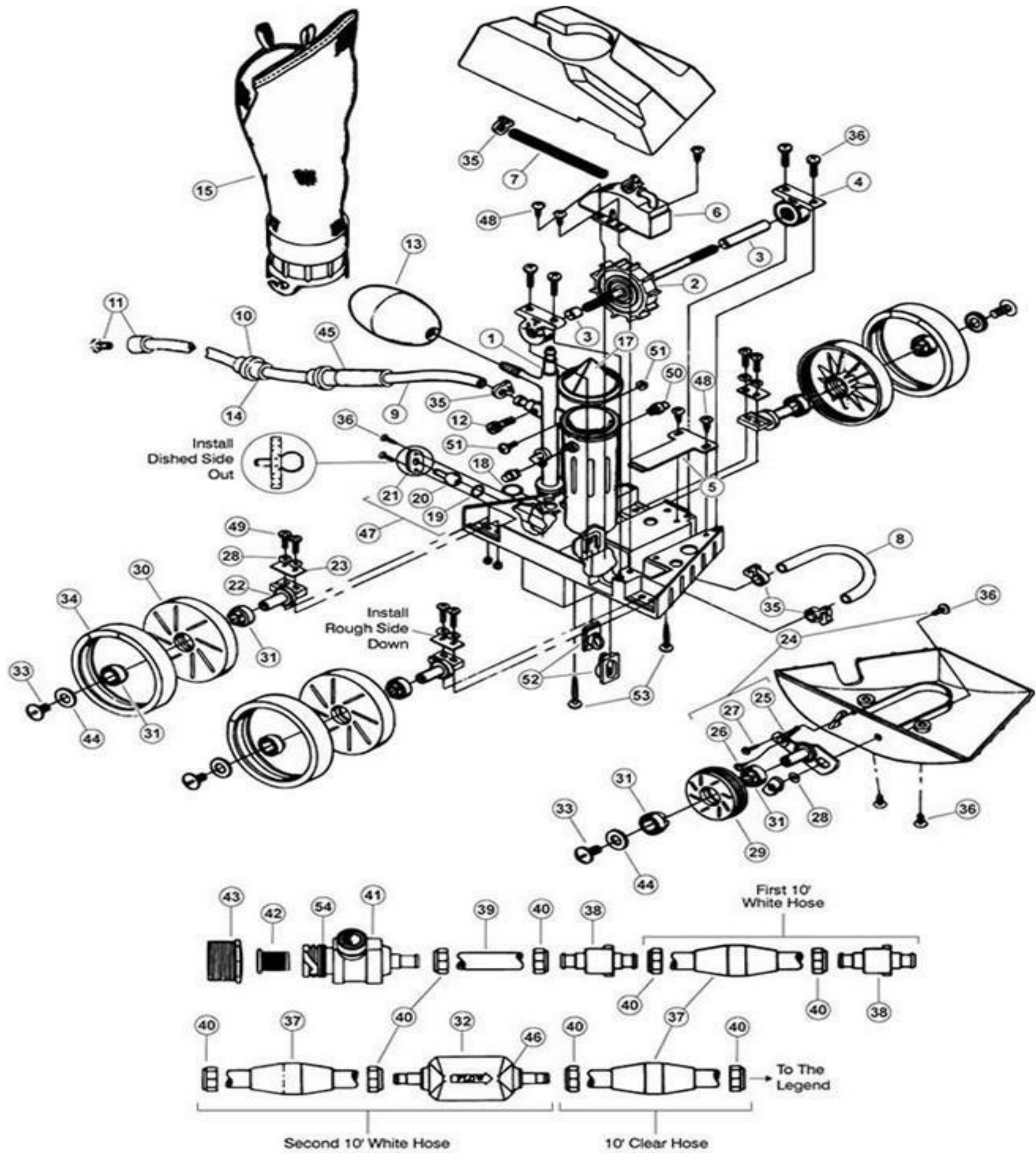
LETRO LEGEND 3-WHEEL POOL CLEANER PARTS

Item #	Part No.	Description	List Price
1	LLU6	Feed Mast w/O-ring - White	51.42
2	EC86	Turbine Drive Shaft-Complete	CALL
3	EC83	Turbine Spacers-Set 1 Long, 1 Short	CALL
4	EC80	Turbine Bearings	CALL
5	EA40	Turbine Shaft Shield	CALL
6	EC110	Turbine Cover W.Elbow	16.10
7	EC120	Hose-7-3/4 In. Length	CALL
8	EB5L	Sweep Hose-Complete	CALL
9	EB10	Sweep Hose-Wear Ring	CALL
10	EB25	Sweep Hose-Jet W/Collar	CALL
11	EB20	Sweep House Adjustment Screw, White	CALL
12	370198	Sweep Hose-Adjustment Screw	
13	EA20	Ballast Float(White)	CALL
14	EH07	Sweep Hose-Hose Sleeve-White	CALL
15	EU15	Coarse Mesh Bag(Optional)	CALL
	EU16	Fine Mesh bag	CALL
17	EU9	Debris Valve	CALL
18	EU7	O-ring for Feed Mast	CALL
19	E18	O-Ring For Thrust Jet	CALL
20	EC130	Thrust Jet - Light Gray	CALL
21	EC135	Thrust Jet-Plate	CALL
22	EC65	Axle-Large Wheels	7.16
23	EC70	Axle-Plate	CALL
24	EC36H	Swing Axle Hardware Kit	CALL
25	EC25	Spring-swing axle	CALL
26	EC30	Screw for spring to swing axle	CALL
27	EC32	Screw for spring to bottom cover	CALL
28	EC45	Axle-Lock Washer	CALL
29	EC16	Wheel-small for swing axle	CALL
30	EC6L	Wheel w/o bearings	15.50
31	EC60	Wheel Bearings Only	CALL
32	E10	Back-Up Valve	CALL
33	EC55	Wheel Screw-Plastic	CALL
34	EC10	Wheel-rubber tire non-ribbed	CALL
35	EB15	Hose Clamp	CALL
36	EC40	Screw	CALL
37	ED10P	Float-Feed Hose	CALL

Item #	Part No.	Description	List Price
38	ED05	Swivel - Feed Hose	CALL
39	LLU1	Adapter Hose-White-8-1/2 In	CALL
40	ED15	Mender Nut-Plastic-Feed Hose	CALL
41	EW22	Wall Fitting-Complete	39.90
42	E24	Screen-Wall Fitting	CALL
43	E23	Quick Disconnect Adapter	CALL
44	EC64	Wheel-Plastic Washer	CALL
45	EH09C	Sweep Hose Weight	CALL
46	EG15	Gears for Backup valve	CALL
47	EC131	Thrust Jet Repair Kit - includes: E18, EC130, EC135	CALL
48	EA30	Screw for EA40 and EC110	CALL
49	EU76	Axle Bolt	CALL
50	EU147	Snap Fit Vac Tube Posts	CALL
51	EU79	Nut & Bolt - Feed Mast to Vac Tube	CALL
52	LLU8	Venturi Jet	CALL
53	EU80	Screw - Top Cover to Frame	CALL
54	E21	O-ring for Wall Fitting	CALL
LEGEND 3-WHEEL TUNE-UP KIT - LL205			
	LL205	Kit Includes	CALL
	EB5L	Sweep Tail-Complete	***
	EC6L	Wheel (Large)	***
	EC16	Wheel - Small	***
	EC60	Bearings - 2 pack	***
	EC80	Turbine Bearings - 2 pack	***
	EC86	Turbine Shaft-Complete	***
	EC10	Tires - non-ribbed	***
	EU16	Fine Mesh Bag	***
LEGEND HOSE KIT - LL209			
	LL209	Kit Includes	CALL
	D45	White Feed Hose 10 In	***
	D50	Clear Feed Hose 10 In	***
	ED10P	Floats	***
	D05	Swivels	***
	E10	Back Up Valve	***
	LLU1	Adaptor-Hosewhite 8-1/2 In	***
	ED15	Mender Nuts	***
	EW22	Wall Fitting-Complete	***
	EB10	Wear Ring	***



LETRO LEGEND 3-WHEEL POOL CLEANER PARTS





LETRO JET-VAC POOL CLEANER PARTS

Item #	Part No.	Description	List Price
1	JV2C	Jet Vac Venturi Shell (Blue)	CALL
2	JV2B	Jet-Vac Deflector Plate with Rollers	CALL
3	JV3	Jet-Vac Connector	15.90
4	EF07	Jet-Vac O-Ring for Hose Connector (JV3)	CALL
5	JV4	Jet-Vac Shell Float Housing	CALL
6	JV4B	Jet-Vac Adjustment Bushing for Shell Float Cover	CALL
7	JV5	Jet-Vac Gear Plate	CALL
7	JV5C	Jet-Vac Gear Plate with Gears	CALL
8	JV7	Jet-Vac Gear (4-PACK)	76.00
9	JV8	Jet-Vac Impeller - Beige	17.60
10	JV9	Jet-Vac Spacer for Propeller	CALL
11	JV11	Jet-Vac O-Ring	CALL
12	JV12	Jet-Vac Roller Arm	CALL
13	JV13	Jet-Vac Nose Wheel	44.58
14	JV14	Jet-Vac Nose Wheel Hub	5.00
15	JV15	Jet-Vac S. Steel Wheel	CALL
16	JV16	Hub for S. Steel Wheel	CALL
17	JV17	Jet-Vac Pusher Jet Nozzle	CALL
18	E18	Jet-Vac O-Ring for Thrust Jet	CALL
19	JV19	Jet-Vac Pusher Jet Nozzle Holder	CALL
20	LG35B	Jet-Vac Bearing	
21	JV21	Jet-Vac Tire	CALL
22	JV22	Jet-Vac Hub for Tire	CALL
23	JV29	Jet-Vac Funnel Adapter Gasket	CALL
24	JV30	Jet-Vac Jet Vac Funnel Adapter	CALL
25	JV32	Jet-Vac Debris bag	CALL
26	JV39	Jet-Vac Screw for S.Steel Wheel	CALL
27	JV40	Jet-Vac Screw for Gear Plate Center	CALL
28	JV41	Jet-Vac Screw for Roller Arm	CALL
29	EU78	Jet-Vac Nut for Roller Arm	CALL
30	JV43	Jet-Vac 3K Screw for Front Tire Hub & Nose Wheel	CALL
31	JV44	Jet-Vac Screw for Pusher Jet Holder	CALL
32	JV45	Jet-Vac Nut for JV43 and JV40	CALL
33	JV46	Jet-Vac Screw for JV5C and JV2B	CALL
34	JV48	Jet-Vac Screw for Back Tires	CALL
35	JV49	Jet Vac Hose Mender for Sweep Hose	CALL
36	JV50	Jet Vac Quick Disconnect Swivel	CALL

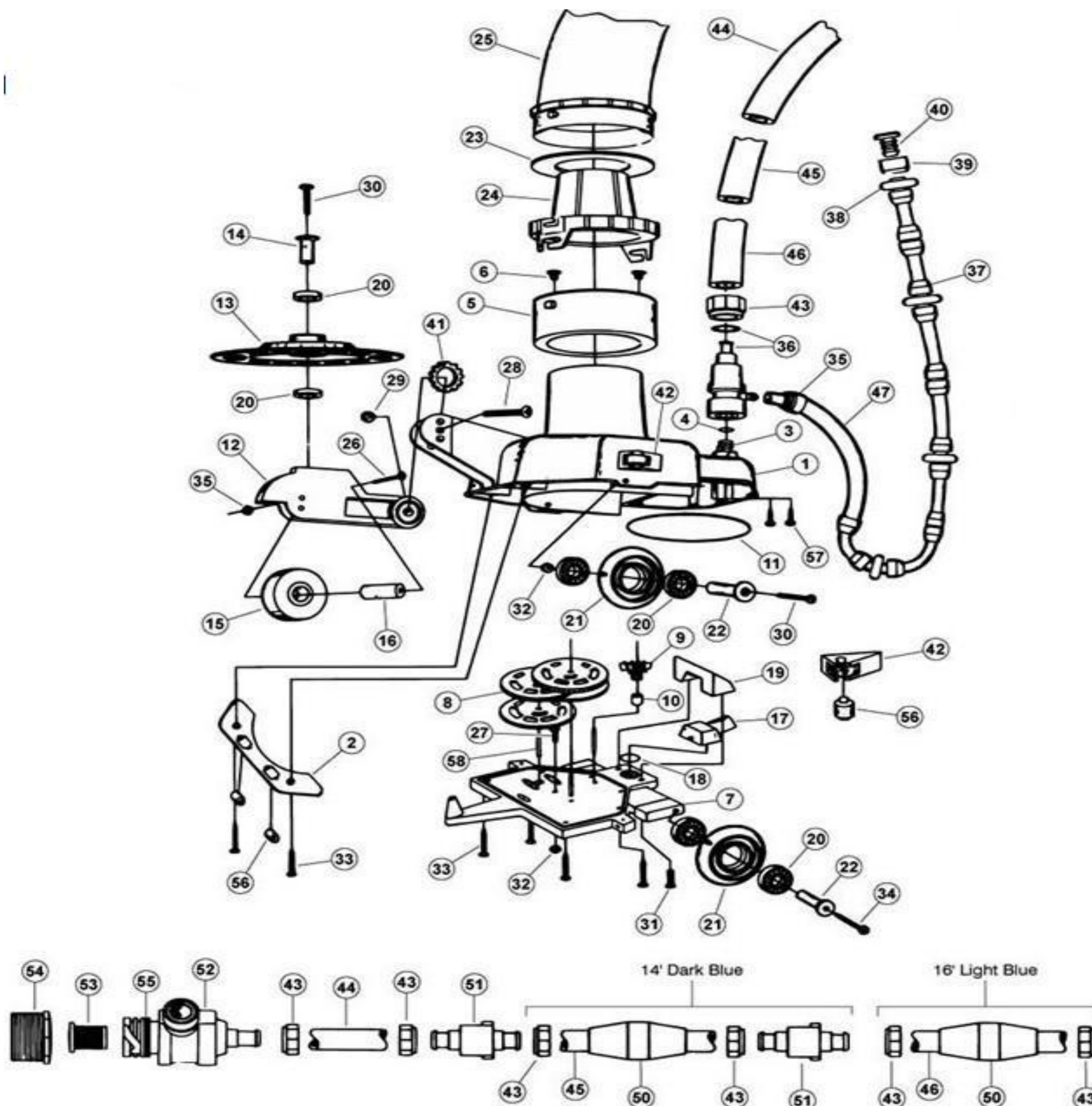
Item #	Part No.	Description	List Price
37	JV53	Jet-Vac Hose Sleeve	CALL
38	JV54	Jet-Vac Roller Ring	CALL
39	JV55	Jet Vac Hose Jet Collar	CALL
40	JV56	Jet Vac Hose Jet	CALL
41	JV61	Jet-Vac Lock Washer for Roller Arm	CALL
42	JV62	Jet-Vac Side Wheel Assembly	CALL
43	ED15	Jet-Vac Mender Nut	CALL
44	JV501	Jet-Vac 2 ft. Hose, Feeder - First Section - White	CALL
45	JV502	14 ft. Hose, Feeder - Second Section - Dark Blue (Hard)	CALL
46	JV503	16 ft. Hose, Feeder - Third Section - Light Blue (Soft)	83.78
47	JV52	Jet Vac Sweep Hose - Complete	CALL
48	JV31	Jet-Vac Coarse Mesh Leaf Bag w/Locking Ring	49.00
50	ED10P	Feed Hose Float	CALL
51	ED05	Jet-Vac Swivel	13.90
52	EW22	Jet-Vac Jet Vac Wall Fitting - Complete	39.90
53	E24	Jet-Vac Screen For Wall Fitting	CALL
54	E23	Jet-Vac Quick Disconnect Adapter	CALL
55	E21	Jet-Vac O-Ring For Wall Fitting	CALL
56	JV64	Jet-Vac Sidewheels	CALL
57	LG10	Jet-Vac Screws for JV3	CALL
58	JV6	Jet-Vac Shaft	CALL
JET VAC GEAR TUNE-UP KIT - JV204			
	JV204	KIT INCLUDES	CALL
	JV6	Shaft	***
	JV9	Spacer	***
	JV7	Gear-Beige	***
	JV8	Impeller - Beige	***
JET VAC TUNEUP KIT - JV205			
	JV205	KIT INCLUDES	CALL
	JV5C	Gear Plate w/gears	***
	JV21	Tires - 2 pack	***
	LG35B	Bearings - 2 pack	***
	JV52	Sweep Tail - complete	***
	JV11	O-ring for Gear Plate	***
	JV32	Debris Bag	***
	JV48	Adjustment Bushings	***



LETRO JET-VAC POOL CLEANER PARTS

JET VAC OVERHAUL KIT - JV206		
JV206	KIT INCLUDES	CALL FOR List Price
JV4	Shell Float Housing	***
JV28	Deflector plate w/rollers	***
JV5C	Gear Plate w/gears	***
JV21	Tires - 2 pack	***
JV30	Funnel Adapter	***
JV32	Debris Bag	***
JV52	Sweep Tail - complete	***
JV62	Side Wheel - complete	***
LG35B	Jet-Vac Bearing (5)	***
JV11	O-ring for Gear Plate	***
JV13	Nose Wheel	***
JET VAC HOSE KIT - JV209		
JV209	KIT INCLUDES	CALL FOR List Price
JV501	2 Ft. Hose, feeder, first section - white	***
JV502	14 ft. Hose, Feeder - Second Section - Dark Blue (Hard)	***

JET VAC HOSE KIT - JV209 (CONT.)		
JV503	16 ft. Hose, Feeder - Third Section - Light Blue (Soft)	***
JV52	Jet Vac Sweep Hose - Complete	***
EW22	Jet-Vac Wall Fitting - Complete	***
ED10P	Feed Hose Float (4)	***
ED15	Jet-Vac Mender Nut (6)	***
ED05	Jet-Vac Swivel (2)	***
JV50	Disconnect swivel w/barbs	***
JET VAC FEED HOSE COMPLETE - JV504C		
JV504C	KIT INCLUDES	CALL FOR List Price
JV501	2 Ft. Hose, feeder, first section - white	***
JV502	14 ft. Hose, Feeder - Second Section - Dark Blue (Hard)	***
JV503	16 ft. Hose, Feeder - Third Section - Light Blue (Soft)	***
JV52	Jet Vac Sweep Hose - Complete	***
ED10P	Feed Hose Float (4)	***
ED15	Jet-Vac Mender Nut (6)	***
ED05	Jet-Vac Swivel (2)	***
JV50	Disconnect swivel w/barbs	***





POLARIS 380 CLEANER

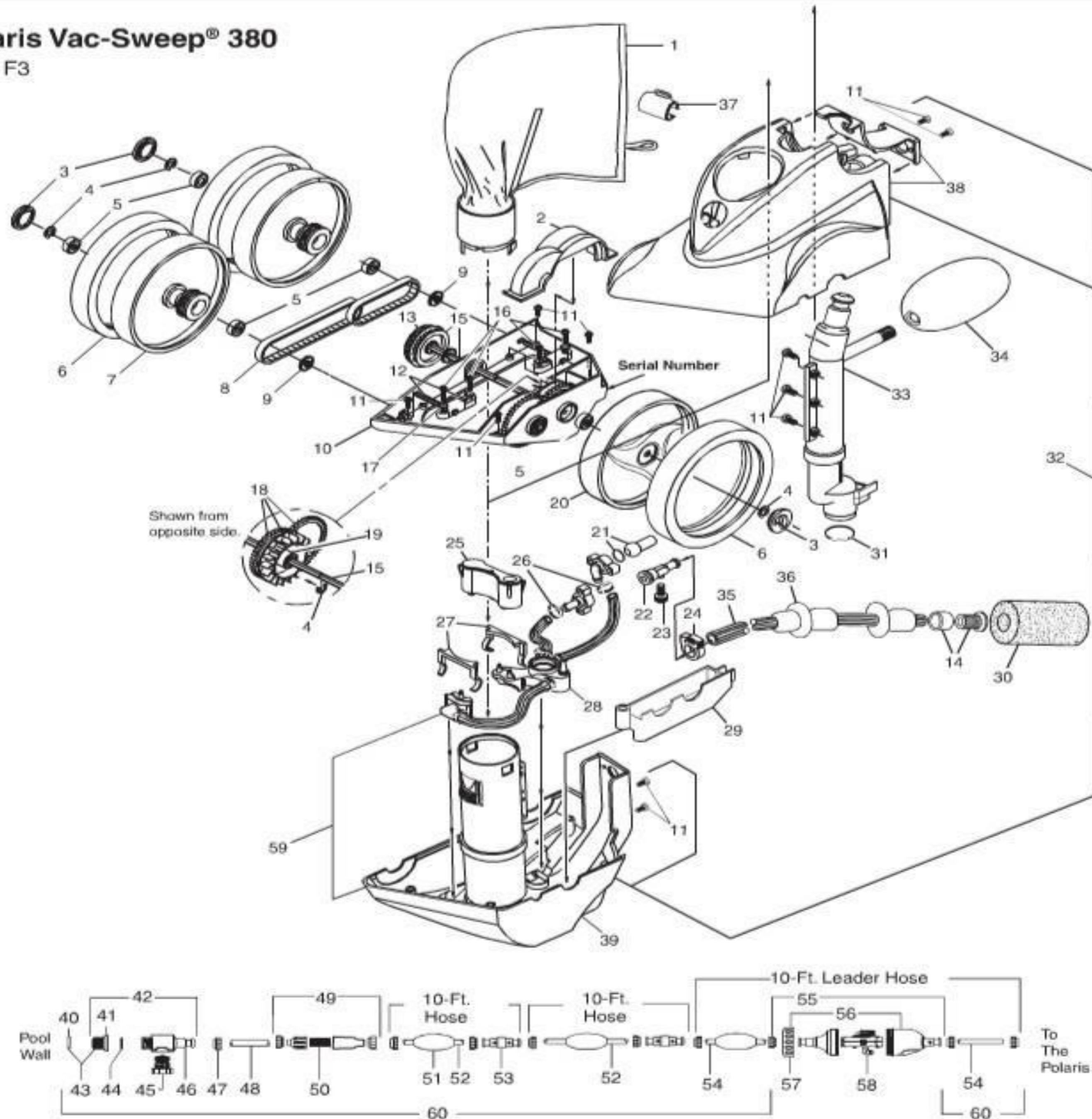
Item #	Part No.	Description	List Price
1	9-100-1021	All Purpose Bag	53.00
2	9-100-1152	Housing, Turbine Center	CALL
3	9-100-1114	Hub Cap	1.30
4	9-100-5107	E-Clip Stainless Steel	1.38
5	9-100-1108	Ball Bearing	11.90
6	C-10	Tire, White	13.50
7	9-100-1008	Wheel Double Sided	15.90
8	9-100-1017	Belt Kit (Large & Small Belt)	42.10
9	9-100-7011	Shield Bearing	CALL
10	9-100-1005	Frame, Exchange Only	CALL
11	9-100-5125	Screw, 8-32x1/2", Pam Head SS	CALL
12	9-100-1139	Axle Block Assembly	CALL
13	9-100-1010	Belt Divider, Transfer Pulley	CALL
14	B-25	Sweep Hose Orifice Tip with Guard	4.70
15	9-100-1007	Transfer Pulley/Drive Shaft Assembly	25.00
16	9-100-5115	Screw, 8-32x 3/4", pan head SS	1.90
17	9-100-5130	Lock Washer, Axle Block	CALL
18	9-100-1132	Drive train gear kit w/turbine bearing	20.70
19	9-100-1103	Turbine Wheel with Bearing	14.50
20	9-100-1116	Wheel, Single Sided	10.70
21	C-131	Thrust Jet Kit	7.70
22	9-100-7008	Sweep Hose Barb, Complete	CALL
23	B-20	Adjustment and New Sweep Hose	5.00
24	B-15	Transfer Pulley/Drive Shaft Assembly	2.50
25	9-100-9004	Base Weight	CALL
26	9-100-7170	Hose Clamp for WMS	2.58
27	9-100-7009	Jet Retainer	CALL
28	9-100-7010	Water Management System	53.64
29	9-100-1155	Housing Turbine, Lower	CALL
30	9-100-3105	Sweep Hose Scrubber	3.90

Item #	Part No.	Description	List Price
31	9-100-5132	O-ring, in-head timer	2.70
32	9-100-7030	Base Assembly for External Backup Valve	99.50
33	9-100-7003	Feed Pipe/Timer Blank Assembly	CALL
34	A-20	Float Head	7.50
35	B-5	Sweep Hose Complete	38.40
36	B-10	Wear Rings	2.70
37	9-100-1018	Bag Collar	4.10
38	9-100-1240	Top One Piece	76.00
39	9-100-7026	Base Assembly	70.00
40	10-112-00	UWF Wall Restrictor Disks, Red & Blue	CALL
41	6-500-00	Universal Wall Fitting (UWF)	7.00
42	9-100-9001	UWF Connector Assembly	41.70
43	10-108-00	UWF Restrictor Kit	CALL
44	6-505-00	O-RING, UWF/QD	CALL
45	9-100-9002	Pressure Relief Valve (Complete)	13.00
46	D-29	Quick Disconnect, UWF	10.60
47	D-15	Nut, Feed Hose	4.90
48	D-44	Adpator Hose, 8-1/2"	CALL
49	48-080	In-line filter assembly	73.50
50	48-222	Screen, in-line filter	13.90
51	D-10	Float Feed Hose	7.30
52	D-45	Feed Hose, White, 10 feet	35.50
53	D-20	Swivel, Ball bearing	15.50
54	D-50	Feed Hose, Clear, 10 feet	55.00
55	G-52	Backup Valve (Complete), Replaces G-41	103.00
56	G-54	Case Kit for G-52	31.90
57	G-57	Collar, Back Up Valve	CALL
58	G-53	Mechanism for G-52	CALL
59	9-100-7045	Water management assy, complete	CALL
60	G-5	Feed hose box, complete	221.00

NOTE: BLACK MAX PARTS LISTED ON SEPARATE PAGE

POLARIS 380 CLEANER

Polaris Vac-Sweep® 380
Part# F3





POLARIS 360 CLEANER

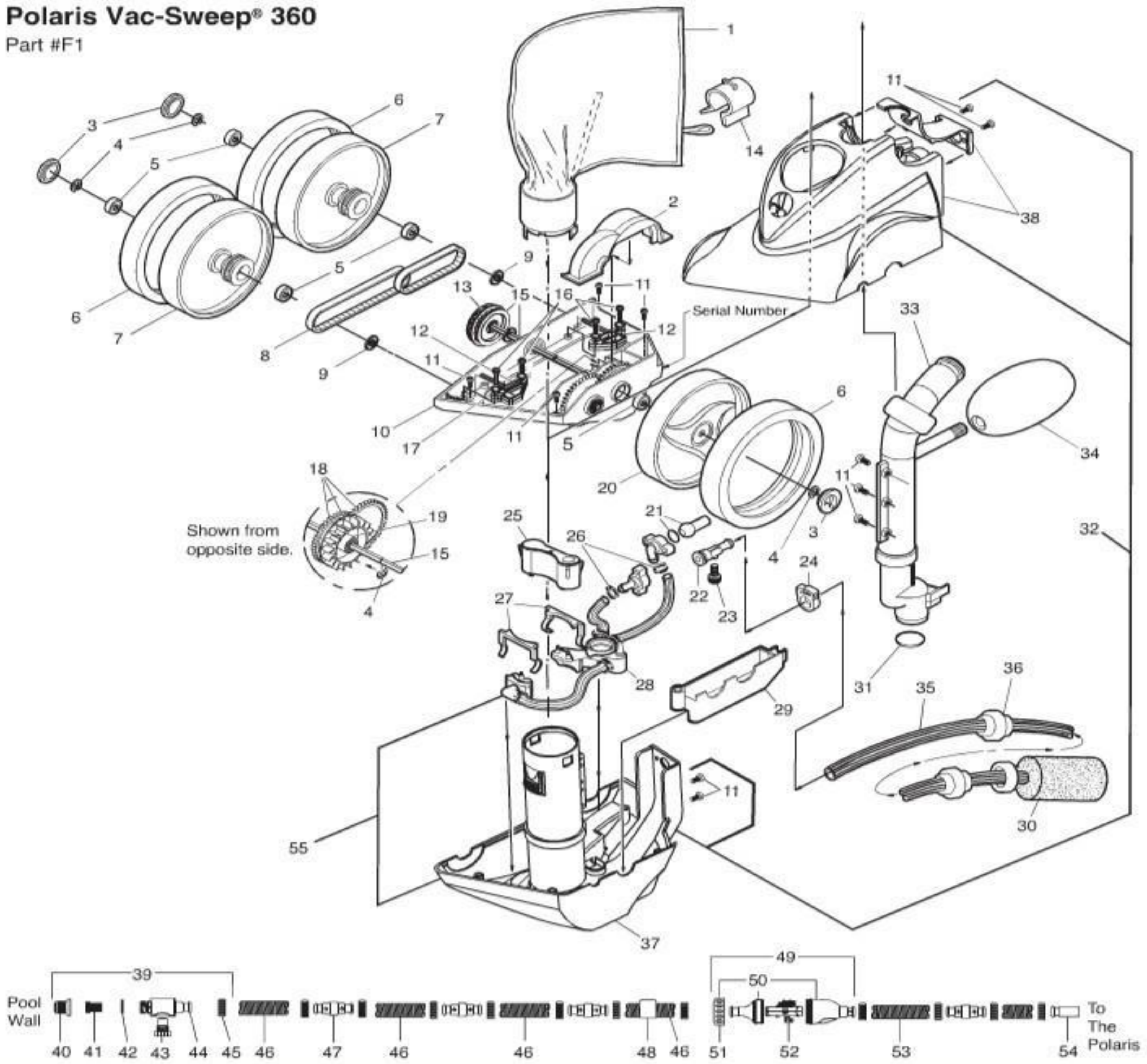
Item #	Part No.	Description	List Price
1	9-100-1014	All Purpose Bag	49.00
2	9-100-1152	Housing, Turbine Center	CALL
3	9-100-1114	Hub Cap	1.30
4	9-100-5107	E-Clip Stainless Steel	1.38
5	9-100-1108	Ball Bearing	11.90
6	C-10	Tire, White	13.50
7	9-100-1008	Wheel Double Sided	15.90
8	9-100-1017	Belt Kit (Large & Small Belt)	42.10
9	9-100-7011	Shield bearing	CALL
10	9-100-1005	Frame, Exchange Only	CALL
11	9-100-5125	Screw, 8-32x1/2", Pam HEad SS	CALL
12	9-100-1139	Axle Block Assembly	CALL
13	9-100-1010	Belt Divider, Transfer Pulley	CALL
14	9-100-3135	Collar, Bag Tie	4.10
15	9-100-1007	Transfer Pulley/Drive Shaft Assembly	25.00
16	9-100-5115	Screw, 8-32x 3/4", pan head SS	1.90
17	9-100-5130	Lock Washer, Axle Block	CALL
18	9-100-1132	Drive train gear kit w/turbine bearing	20.70
19	9-100-1103	Turbine Wheel with Bearing	14.50
20	9-100-1116	Wheel, Single Sided	10.70
21	C-131	Thrust Jet Kit	7.70
22	9-100-7008	Sweep Hose Barb, Complete	CALL
23	B-20	Adjustment and New Sweep Hose	5.00
24	B-15	Transfer Pulley/Drive Shaft Assembly	2.50
25	9-100-3005	Base Weight	CALL
26	9-100-7170	Hose Clamp for WMS	2.58
27	9-100-7009	Jet Retainer	CALL
28	9-100-7014	Water Management System	38.50

Item #	Part No.	Description	List Price
29	9-100-1155	Housing Turbine, Lower	CALL
30	9-100-3105	Sweep Hose Scrubber	3.90
31	9-100-5132	O-ring, in-head timer	2.70
32	9-100-7030	Base Assembly for External Backup Valve	99.50
33	9-100-1002	Feed Pipe/Timer Blank Assembly	CALL
34	A-20	Float Head	7.50
35	9-100-1011	Sweep Hose Complete	33.70
36	B-10	Wear Rings	2.50
37	9-100-7026	Base Assembly	70.00
38	9-100-1240	Top One Piece	76.00
39	9-100-3008	UWF Connector Assembly	33.90
40	6-500-00	Universal Wall Fitting (UWF)	7.00
41	6-504-00	Filter screen, UWF	9.90
42	6-505-00	O-ring, UWF/QD	CALL
43	9-100-3009	Pressure Relief Valve (White)	CALL
44	9-100-3006	Quick Disconnect, UWF	CALL
45	9-100-3109	Hose Nut	5.70
46	9-100-3102	Feed Hose, 6'	21.70
47	9-100-3002	Swivel, Hose	18.20
48	9-100-1206	Float, Feed hose	5.00
49	9-100-1200	In-Line backup valve	99.30
50	9-100-1202	Case Kit, backup valvbe	CALL
51	9-100-1213	Collar, backup Valve	CALL
52	9-100-1204	Mechanism, backup valve	CALL
53	9-100-3103	Feed Hose, 1'	CALL
54		Pressure Tester	N/A
55	9-100-7046	Water Management Base Assy, complete	CALL

NOTE: BLACK MAX PARTS LISTED ON SEPARATE PAGE

POLARIS 360 CLEANER

Polaris Vac-Sweep® 360
Part #F1





POLARIS 280 CLEANER

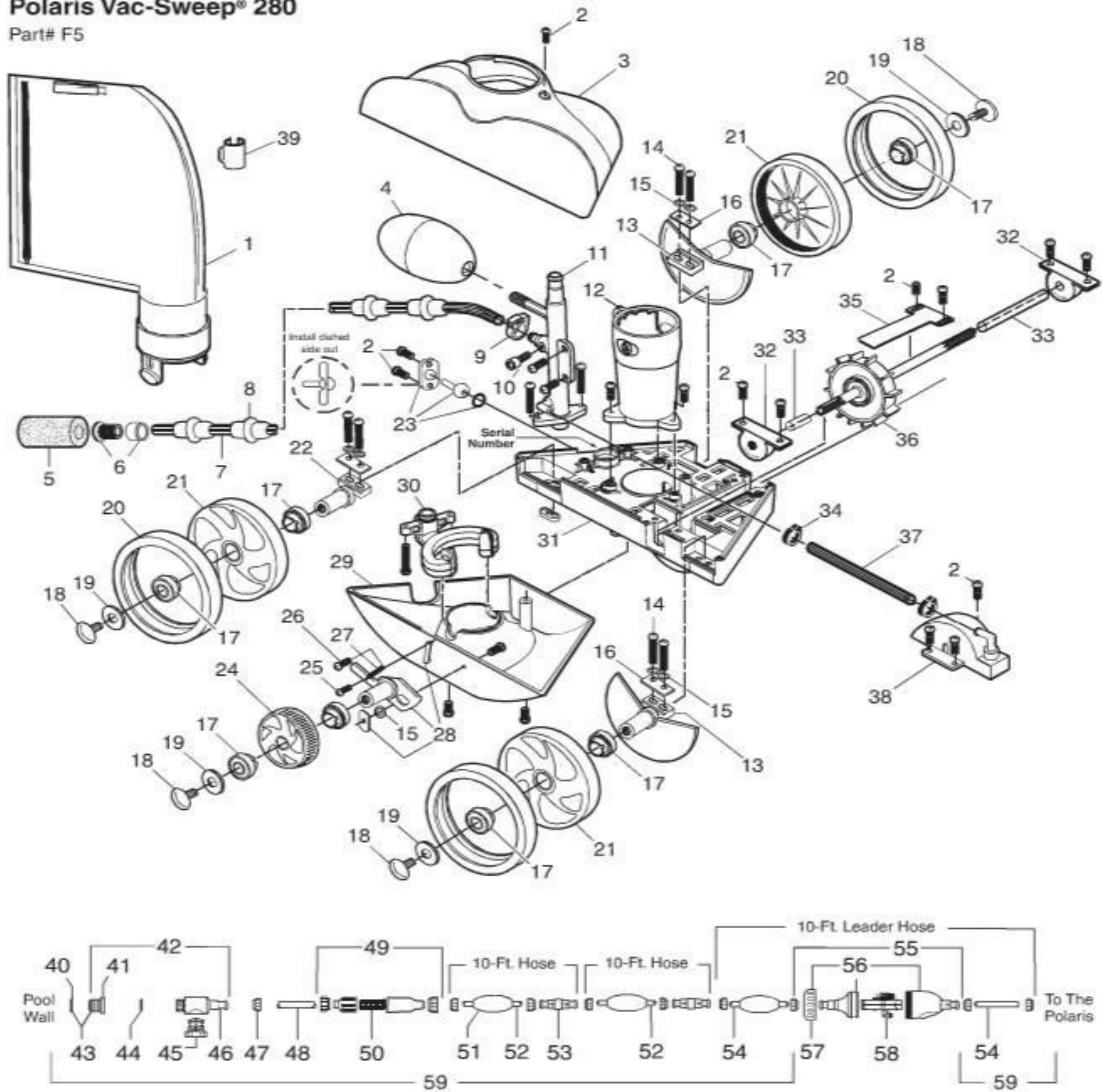
Item #	Part No.	Description	List Price
1	K-13	All-purpose zippered bag	59.00
2	C-40	Screw 10-32x3/8 pan s/s	3.00
3	K-5	Top Blue	66.00
4	A-20	Float, Head	7.50
5	9-100-3105	Sweep Hose Scrubber	3.90
6	B-25	Orifice Tip w/Orifice Tip Guard	4.70
7	B-5	Sweep Hose Complete	38.40
8	B-10	Wear Rings	2.70
9	B-15	Sweep Hose Attach Clamp	2.50
10	B-20	Adjustment Screw, Sweep Hose	5.00
11	K-30	Feed Pipe with Elbow	33.00
12	K-20	Vacuum Tube	CALL
13	C-66	Axle Large (w/washer and Sand Guard)	12.50
14	C-76	Screw 10-32 x 7/8" SS Pan Head	3.10
15	C-45	Lock Washer	2.70
16	C-70	Axle Plate for C-65/C-66	4.50
17	C-60	Ball Bearings, Wheels	11.50
18	C-55	Wheel Screw, Plastic	2.20
19	C-64	Wheel Washer, Plastic	2.78
20	C-10	Tire White	13.70
21	C-6	Wheel Large No Bearings included	15.80
22	C-65	Axle, Large (Rear Wheel Only)	6.20
23	C-131	Thrust Jet Kit	7.70
24	C-16	Idler Wheel, Small	11.70
25	C-30	Screw 4-40x3/16" SS Pan Head	CALL
26	C-32	Screw, 6-32x1/2" SS Pan Head	CALL
27	C-25	Spring for C-36	CALL
28	C-36	Swing Axle Kit	15.50
29	K-10	Bottom White with Bracket	53.00
30	K-25	Water Management System (WMS)	CALL
31	K-145	Frame, Exchange Only	111.20

Item #	Part No.	Description	List Price
32	C-80	Ball Bearings, Turbine	17.10
33	C-83	Turbine Shaft tube	CALL
34	9-100-7170	Hose Clamp	CALL
35	A-40	Turbine Shaft Seal	CALL
36	C-86	Drive Shaft Assembly	33.90
37	C-120	Hose for C-110, 7-1/2"	CALL
38	C-110	Turbine Cover with Elbow	CALL
39	9-100-1018	Bag Collar	4.10
40	10-112-00	UWF Wall Restrictor Disks (Red & Blue)	CALL
41	6-500-00	Universal Wall Fitting (UWF)	7.00
42	9-100-9001	Universal Connector Assembly	37.90
43	10-108-00	UWF Wall Restrictor Kit	CALL
44	6-505-00	O-ring, UWF/QD	CALL
45	9-100-9002	Pressure Relief Valve	13.00
46	D-29	Quick Disconnect. UWF	10.60
47	D-15	Nut, Feed Hose	4.90
48	D-44	Adapter Hose, 8-1/2"	CALL
49	48-080	In-line filter assy	73.50
50	48-222	Screen, In-line filter	13.90
51	D-10	Float, Feed hose	7.30
52	D-45	Feed Hose, 10'	35.50
53	D-20	Swivel, Ball bearing	14.50
54	D-50	Feed Hose, Clear, 10 feet	55.00
55	G-52	Backup Valve Kit (Replaces G-41)	103.00
56	G-54	Case Kit for G-52	31.90
57	G-57	Collar, Backup Valve	CALL
58	G-53	Mechanism for G-52	CALL
59	G-5	Feed Hose Complete with UWF (No Backup Valve)	221.00
N/S	K-16	All Purpose Bag	57.00
N/S	K-14	Sand/Silt Bag	51.50
N/S	K-15	Leaf Bag	57.00

NOTE: BLACK MAX PARTS LISTED ON SEPARATE PAGE

POLARIS 280 CLEANER

Polaris Vac-Sweep® 280
Part# F5





POLARIS 180 CLEANER

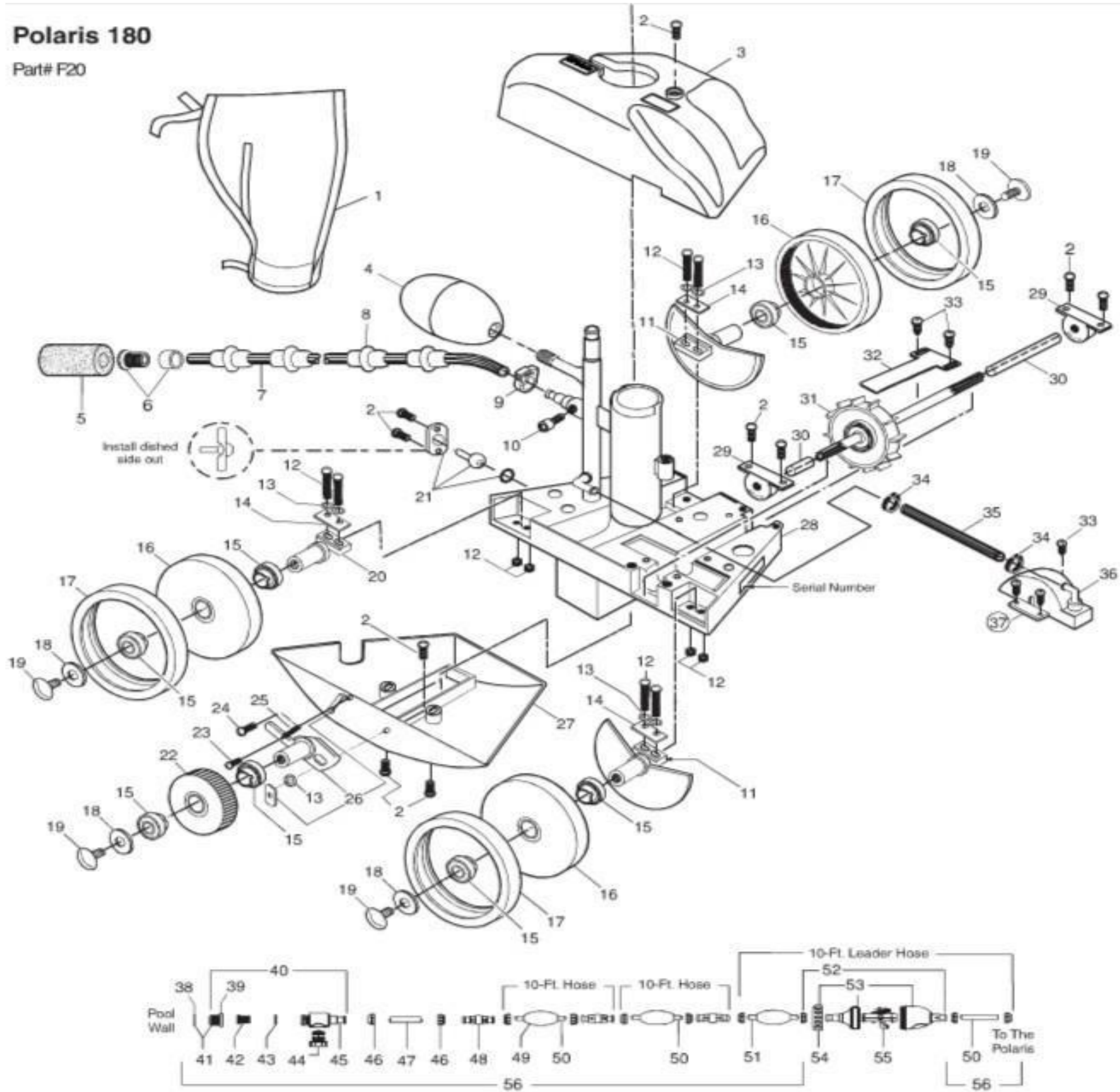
Item #	Part No.	Description	List Price
1	A-16	All Purpose - Sand/Silt Bag (White)	45.90
2	C-40	Screw 10-32x3/8 pan s/s	3.00
3	A-5	Top, Blue	CALL
4	A-20	Float, Head	7.90
5	9-100-3105	Sweep Hose Scrubber	4.10
6	B-25	Orifice Tip w/Orifice Tip Guard	4.70
7	B-5	Sweep Hose Complete	38.40
8	B-10	Wear Rings	2.70
9	B-15	Sweep Hose Attach Clamp	2.50
10	B-20	Adjustment Screw, Sweep Hose	5.00
11	C-66	Axle Large (w/washer and Sand Guard)	13.00
12	C-75	Screw/Nut, 10-32x7/8 SS Pan Head	5.58
13	C-45	Lock Washer	2.70
14	C-70	Axle Plate for C-65/C-66	4.50
15	C-60	Ball Bearings, Wheels	11.50
16	C-6	Wheel Large No Bearings included	15.80
17	C-10	Tire, White	13.70
18	C-64	Wheel Washer Plastic	2.78
19	C-55	Wheel Screw, Plastic	2.20
20	C-65	Axle, Large (Rear Wheel Only)	6.20
21	C-131	Thrust Jet Kit	7.70
22	C-16	Wheel, Small White	11.70
23	C-30	Screw SS 4-40x 3/16" ss pan Head	CALL
24	C-32	Screw 6-32 x 1/2" SS Pan Head	CALL
25	C-25	Spring for C-36	CALL
26	C-36	Swing Axle Kit	15.50
27	A-10	Bottom, White with Bracket	49.68
28	C-145	Frame, Exchange Only	CALL
29	C-80	Ball Bearings, Turbine	17.10
30	C-83	Turbine Shaft tube	CALL
31	C-86	Drive Shaft Assembly	33.90
32	A-40	Turbine Shaft Shield	CALL
33	A-30	Screw for A-40/C-110 Self tap SS	CALL
34	9-100-7170	Clamp for C-120 (old c-125)	2.38
35	C-120	Hose for C-110, 7-1/2"	CALL
36	C-115	Elbow for C-110 or Feed Mast	CALL

Item #	Part No.	Description	List Price
37	C-110	Turbine Cover with Elbow	CALL
38	10-112-00	UWF Wall Restrictor Disks (Red & Blue)	CALL
39	6-500-00	Universal Wall Fitting (UWF)	7.00
40	9-100-9001	UWF Connector Assembly	37.90
41	10-108-00	UWF Wall Restrictor Kit	CALL
42	6-504-00	Filter Screen , UWF/QD	9.90
43	6-505-00	O-ring , UWF/QD (O-403)	3.00
44	9-100-9002	Mender Nut, Feed Hose	13.00
45	D-29	Quick Disconnect. UWF	10.60
46	D-15	Nut, Feed Hose	4.90
47	D-44	Adaptor Hose, 8-1/2"	CALL
48	D-20	Swivel, Ball bearing	15.90
49	D-10	Float. Feed Hose	7.30
50	D-45	Feed Hose, White, 10 feet	35.50
51	D-50	Feed Hose, Clear, 10 feet	55.00
52	G-52	Backup Valve Kit (Replaces G-41)	103.00
53	G-54	Case Kit for G-52	31.90
54	G-57	Collar, Backup Valve	CALL
55	G-53	Mechanism for G-52	CALL
56	G-5	Feed Hose Complete with UWF (No Backup Valve)	221.00
N/S	A-15	Leaf Bag (Green)	CALL
N/S	A-42	Sweep Hose Barb Repair Kit	CALL
N/S	A-45	Float Arm Repair Kit	21.90
N/S	B-2	Weight, Sweep Hose	29.00
N/S	D-22	Quick Disconnect Plug, NHTM, Plastic with 2-Orings	CALL
N/S	D-23	Quick Disconnect Plug NPTM, plastic with two O-rings	5.20
N/S	D-24	O-ring for D-22, D-23	CALL
N/S	D-26	Quick Disconnect Female Plastic	14.50
N/S	D-31	Hose barb / strainer housing, clear plastic	13.10
N/S	D-36	Strainer Tube Type	16.90
N/S	G-12	Over the Deck Installation Kit UWF 1991	CALL
N/S	G-21	Ladder Guard (2 Pannels)	47.72
N/S	G-45	Sand Silt Bags - Disposable	CALL
N/S	G-55	Pressure Restrictor	CALL
N/S	9-100-3104	Feed Hose with Floats, White	CALL
N/S	9-100-3108	Feed Hose with Floats, Clear	CALL

POLARIS 180 CLEANER

Polaris 180

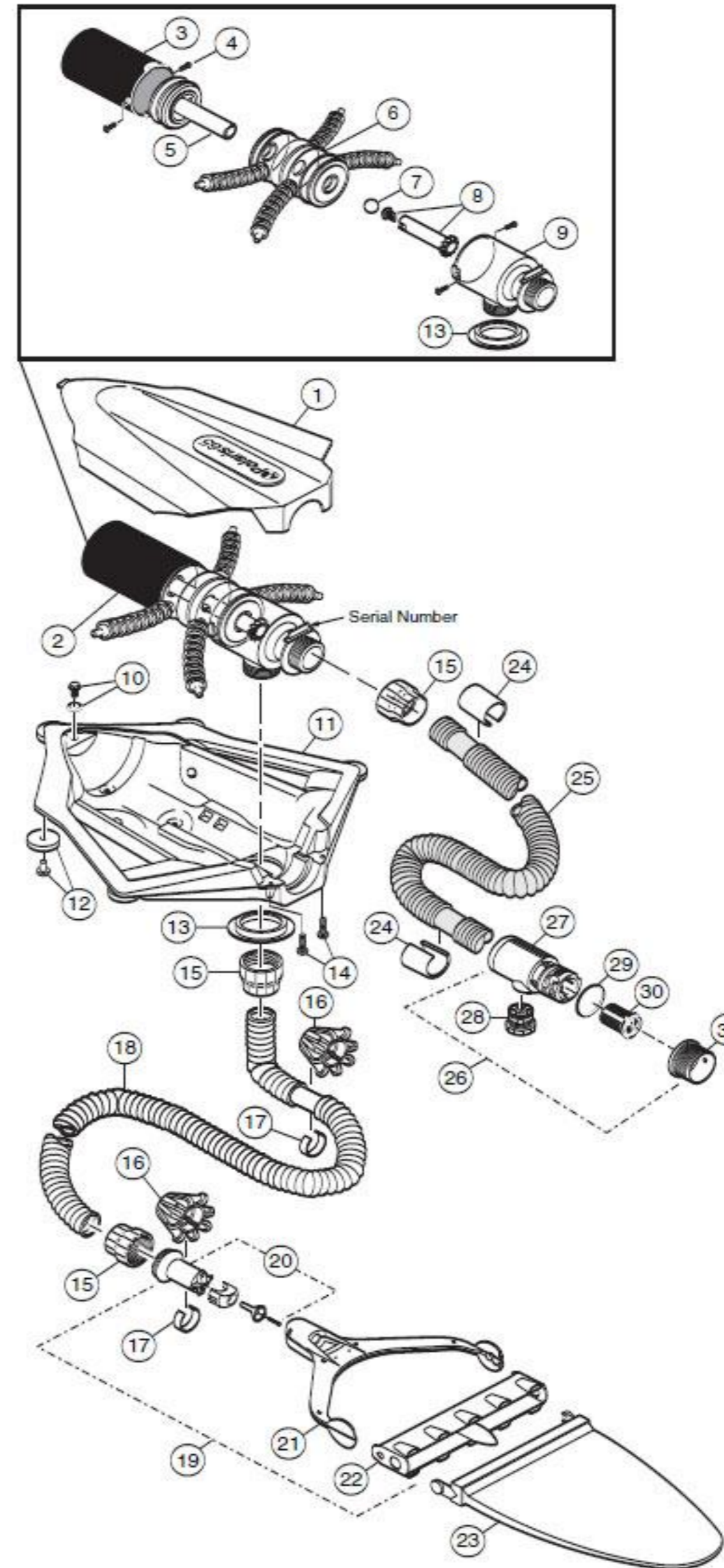
Part# F20





POLARIS 65 CLEANER

Item #	Part No.	Description	List Price
1	6-308-00	Surface Module Top, Blue	CALL
2	6-400-00	Mechanism (Includes Support Collar)	204.34
3	6-407-00	Cylinder	CALL
4	6-413-00	Screw, Mechanism, #6 x 5/16" SS Sheet Metal, Blunt-End	CALL
5	6-411-00	Piston Assembly	CALL
6	6-409-00	Center Chamber Assembly	CALL
7	6-403-00	Randomizer Ball	3.60
8	6-406-00	Filter Connector / Randomizer Tube Kit	14.10
9	6-408-00	Connector Chamber	CALL
10	6-507-00	Drain Plug Assembly	CALL
11	6-303-00	Body Bottom Assembly, Blue	CALL
11	6-305-00	Body Bottom Assembly, Gray	CALL
12	6-301-00	Body Bottom Wheel Kit, Gray	CALL
13	--	Support Collar (Included with 6-400-00)	CALL
14	6-302-00	Screw, Top, #10 x 3/4" SS Sheet Metal, Pan Head	CALL
15	6-104-00	Hose Connector, Female	7.70
16	6-107-00	Wheel Cage Assembly	CALL
17	6-110-00	Hose Weight	CALL
18	6-106-00	Sweep Hose Complete, 7 Ft	86.22
19	6-212-00	Jet Sweep Assembly	CALL
20	6-116-00	Jet Body Assembly	20.44
21	6-211-00	Jet Sweep Harness	42.18
22	6-210-00	Jet Sweep Head	16.74
23	6-206-00	All-Purpose Bag	42.00
24	6-222-00	Float	CALL
25	6-225-00	Float Hose, 24 Foot, Gray	68.96
26	6-508-00	UWF Connector Assembly	CALL
27	6-502-00	Quick Disconnect, UWF	CALL
28	6-503-00	Pressure Relief Valve	CALL
29	6-505-00	O-Ring, UWF/QD - Fits 6-505-00	CALL
30	6-504-00	Filter Screen, UWF/QD	9.90
31	6-500-00	Universal Wall Fitting	7.00
N/S	6-412-00	O-Ring Chamber Assembly	CALL
N/S	6-410-00	Jet Nozzle Hose Assembly	CALL
N/S	6-510-00	UWF Adapter, 1 1/4" or 2"	CALL
N/S	6-512-00	UWF Adapter, 2"	CALL
N/S	6-101-00	Adapter Kit for 1 1/4" or 2"	CALL
N/S	6-103-00	Hose Connector, Male	7.76
N/S	6-212-00	Jet Body Assembly (160/65)	CALL
N/S	6-109-00	Hanger Kit (Includes 1 hanger & 8 clips)	CALL
N/S	6-111-00	Float Hose Extension Kit, 8 foot, Blue	CALL
N/S	6-221-00	Float Hose Extension, 7 Foot	46.06
N/S	6-112-00	Sweep Hose, 10 foot	CALL
N/S	6-113-00	In-line Pressure Tester	CALL
N/S	6-118-00	Jet Body Ball Kit (160/65)	CALL
N/S	6-204-00	Filter Bag, Snap (160/65)	CALL
N/S	6-212-00	Polaris Jet Sweep Assembly	CALL
N/S	6-205-00	Leaf Bag, Snap (160/65)	CALL
N/S	6-207-00	Leaf Bag Assembly	CALL
N/S	6-509-00	Gorilla Jet Adapter	CALL
N/S	6-511-00	UWF Eyeball Fitting	27.64
N/S	6-700-00	165/65 Conversion Kit	CALL
N/S	10-102-00	UWF Removal Tool, Plastic	CALL
N/S	10-104-00	UWF Removal Tool, Stainless Steel	CALL
N/S	9-100-8006	Standard Eyeball Regulator Disk	CALL
N/S	11-203-00	Adjustable Plug, UWF	CALL





POLARIS 380/360/280 BLACK MAX PARTS

Item #	Description	List Price
BAG PARTS		
K-17	All purpose, black (360)	59.00
K-18	Sand/Silt bag, black (360)	CALL
K-23	Zippered all-purpose bag, black (280)	69.14
9-100-1016	All-purpose bag, black (380/360)	59.70
9-100-1019	Bag collar, black (380/280)	CALL
9-100-1022	Zippered bag, black (380/360)	63.08
9-100-1025	EZ Bag, disposable, w/o collar, black (380/360)	CALL
9-100-1026	EZ Bag, disposable, w/collar, black (380/360)	CALL
9-100-3136	Collar, bag tie, black (360)	CALL
HEAD PARTS		
A-21	Head float, black (all)	15.90
B-3	Sweep hose weight, black (all)	CALL
B-6	Sweep hose complete, black (all)	45.00
B-16	Sweep hose attach clamp, black (all)	5.70
C-7	Wheel, large, no bearings, black (280)	21.00
C-11	Tire, Max Trax, black (all)	19.00
C-14	Tire, Posi Trax (Fiberglass/Tile), black (all)	CALL
C-17	Idler wheel, small, black (280)	16.50
C-19	Tire, Tank Trax, Black (280)	CALL
C-23	Upgrade kit, Tank Trax, black (280)	CALL
C-24	Conversion, kit, Tank Trax, black (280)	CALL
C-56	Wheel screw, plastic, black (280)	2.96
C-67	Wheel washer, plastic, black	5.50
C-68	Axle, large, w/ sand guard, black (280)	15.00
K-6	Top, black (280)	72.50
K-11	Bottom w/bracket, black (280)	CALL
K-21	Vacuum tube, black (280)	CALL
K-31	Feed pipe w/elbow, black (280)	35.00
K-146	Frame, black (exchange only) (280)	140.00
9-100-1001	Feed pipe/Timer blank assy, black (360)	CALL
9-100-1004	Wheel, double side, black (360,380)	CALL
9-100-1020	Sweep hose, complete, black (360)	CALL
9-100-1115	Hub cap, black (360/380)	CALL

Item #	Description	List Price
9-100-1117	Wheel, single side, black (360/380)	CALL
9-100-1242	Top assy, black (360/380)	CALL
9-100-7007	Feed pipe/Timer blank assy, black (380)	CALL
9-100-7027	Base assy, black (360/380)	CALL
9-100-7031	Top and base assy, black (360 pre-Y03)	CALL
HOSE PARTS		
B-11	Wear ring, black (360)	CALL
D-11	Float, feed hose, black (380/280)	CALL
D-16	Nut, feed hose, black (380/280)	5.50
D-21	Swivel, ball bearing, black	21.00
D-30	Quick disconnect, UWF, black (380/280)	CALL
D-47	Feed hose, 10', black (380/280)	CALL
D-52	Leader hose, 10', black (380/280)	60.50
G-6	Feed hose complete w/o backup valve, black (380/280)	250.00
G-60	Double acting backup valve, black (380/280)	CALL
G-62	Backup valve, black (380/280)	106.00
G-64	Case kit for G-62, black (380/280)	CALL
G-67	Collar, backup valve, black (all)	CALL
48-085	Inline filter assy, black (all)	CALL
48-222	Screen, inline filter, black (380/280)	13.90
6-550-00	Universal wall fitting, black (all)	7.92
9-100-1201	Inline backup valve (360)	CALL
9-100-1203	Case kit, inline backup valve, black (360)	CALL
9-100-1207	Float, feed hose, black (360)	CALL
9-100-3003	Swivel, hose, black (360)	CALL
9-100-3007	Quick disconnect, UWF, black (360)	CALL
9-100-3010	UWF connector assy, black (360)	CALL
9-100-3011	Pressure relief valve, black (360)	CALL
9-100-3101	Feed hose, complete w/UWF, no backup valve (360)	CALL
9-100-3105	Sweep hose scrubber (all)	4.10
9-100-3107	Leader hose w/floats, black	CALL
9-100-3110	Feed hose, 6' black (360)	CALL
9-100-3111	Feed hose, 1' black (360)	CALL
9-100-3112	Hose nut, black (360)	CALL
9-100-9005	UWF connector assy, black	39.90
9-100-9006	Pressure relief assy, black	CALL



POLARIS REPLACEMENT PARTS BY CUSTOM MOLDED

Item #	Description	List Price
BAG PARTS		
58307-380-000	BAG 360,380 (POLARIS 9-100-1014)	32.52
58307-280-000	BAG 280 (POLARIS K-16)	32.52
HEAD PARTS		
25563-384-000	WHEEL WASHER - BLACK 180/280 (POLARIS (C-67)	3.90
25563-380-000	WHEEL WASHER 180/280 (POLARIS C-64)	2.00
25563-374-000	WHEEL SCREW PLASTIC - BLACK 180/280 (POLARIS C-56)	1.90
25563-370-000	WHEEL SCREW PLASTIC 180/280 (POLARIS C-55)	1.58
25563-364-000	LARGE WHEEL - BLACK 180/280 (POLARIS C-7)	13.90
25563-360-000	LARGE WHEEL 180/280 (POLARIS C-6)	11.90
25563-354-000	WHEEL SINGLE SIDE - BLACK 360/380 (POLARIS 9-100-1117)	9.34
25563-350-000	WHEEL SINGLE SIDE 360/380 (POLARIS 9-100-1116)	8.50
25563-344-030	HUB CAP - BLACK 360/380 (POLARIS 9-100-1115)	0.74
25563-344-000	DOUBLE WIDE WHEEL - BLACK 360/380 (POLARIS 9-100-1004)	13.02
25563-340-030	HUB CAP 360/380 (POLARIS 9-100-1114)	0.90
25563-340-000	DOUBLE SIDE WHEEL 360/380 (POLARIS 9-100-1008)	11.90
25563-314-000	TIRE - BLACK (POLARIS C-11)	10.00
25563-310-000	TIRE (POLARIS C-10)	9.50
25563-280-000	WHEEL BEARING 180/280 (POLARIS C-60)	7.98
25563-170-000	AXLE, LARGE, REAR WHEEL (POLARIS C-65)	4.50
25563-017-000	POLARIS 360/380 BELT KIT (9-100-1017)	31.90
HOSE PARTS		
25563-400-000	FEED HOSE FLOAT (380,280,180) (POLARIS D-10)	5.90
25563-300-500	SWEEP HOSE TAIL SCRUBBER (POLARIS 9-100-3105)	2.20
25563-240-000	HOSE SWIVEL (POLARIS D-20)	11.00
25563-160-000	UNIVERSAL WALL FITTING (POLARIS 6-500-00)	5.90
25563-133-000	SOFTUBE QUICK CONNECTOR (POLARIS P-133)	6.66
25563-115-000	FEED HOSE NUT (POLARIS D-15) 180/280/380	3.50
25563-110-000	SWEEP HOSE ATTACH CLAMP (POLARIS B-15)	2.04
25563-104-000	HOSE FLOAT 180/280/380 BLACK (POLARIS D-11)	6.50

